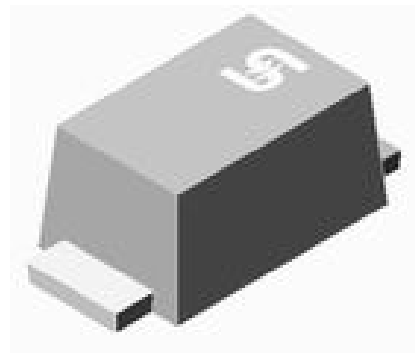


### Features

- ✧ For surface mounted application
- ✧ Low-Profile Package
- ✧ Idea for automated pick & place
- ✧ High current capability, low VF
- ✧ High surge current capability
- ✧ Plastic material used carriers Underwriters Laboratory Classfication 94V-0
- ✧ Epitaxial construction
- ✧ High temperature soldering guaranteed: 260°C/10s at terminals
- ✧ Green compound with suffix "G" on packing code & prefix "G" on datecode



### Mechanical Data

- ✧ Case: Sub SMA plastic case
- ✧ Terminal: Pure tin plated, lead free
- ✧ Polarity: Color band denotes cathode end
- ✧ Packaging: 12mm tape per EIA STD RS-481
- ✧ Weight: 0.0196 grams

### Ordering Information (example)

Part No.	Package	Packing	Packing code	Green Compound Packing code
SS22L	Sub-SMA	3K / 7" REEL	RV	RVG

### Maximum Ratings and Electrical Characteristics

Rating at 25 °C ambient temperature unless otherwise specified.

Single phase, half wave, 60 Hz, resistive or inductive load.

For capacitive load, derate current by 20%

Type Number	Symbol	SS 22L	SS 23L	SS 24L	SS 25L	SS 26L	SS 29L	SS 210L	SS 215L	Unit	
Maximum Repetitive Peak Reverse Voltage	$V_{RRM}$	20	30	40	50	60	90	100	150	V	
Maximum RMS Voltage	$V_{RMS}$	14	21	28	35	42	63	70	105	V	
Maximum DC Blocking Voltage	$V_{DC}$	20	30	40	50	60	90	100	150	V	
Marking Code		22LYM	23LYM	24LYM	25LYM	26LYM	29LYM	20LYM	2ALYM	V	
Maximum Average Forward Rectified Current	$I_{F(AV)}$	2.0								A	
Peak Forward Surge Current, 8.3 ms Single Half Sine-wave Superimposed on Rated Load (JEDEC method)	$I_{FSM}$	50								A	
Maximum Instantaneous Forward Voltage (Note 1) @ 2 A	$V_F$	0.50		0.70		0.85		0.95		V	
Maximum Reverse Current @ Rated VR $T_A=25\text{ }^\circ\text{C}$ $T_A=100\text{ }^\circ\text{C}$ $T_A=125\text{ }^\circ\text{C}$	$I_R$	0.4					0.1				mA
		15		10		-					
		-		-		5					
Typical Junction Capecitance (Note 2)	$C_j$	130					50				pF
Typical Thermal Resistance	$R_{\theta JL}$	17								$^\circ\text{C/W}$	
	$R_{\theta JA}$	75									
Operating Temperature Range	$T_J$	- 65 to + 125				- 65 to + 150				$^\circ\text{C}$	
Storage Temperature Range	$T_{STG}$	- 65 to + 150								$^\circ\text{C}$	

Note 1: Pulse Test with PW=300u sec, 1% Duty Cycle

Note 2: Measure at 1MHz and Applied Reverse Voltage of 4.0V D.C.

RATINGS AND CHARACTERISTIC CURVES (SS22L THRU SS215L)

FIG. 1 FORWARD CURRENT DERATING CURVE

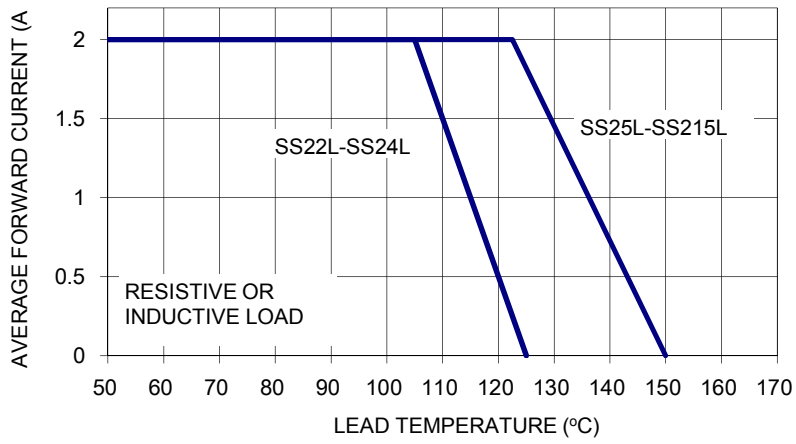


FIG. 2 MAXIMUM NON-REPETITIVE FORWARD SURGE CURRENT

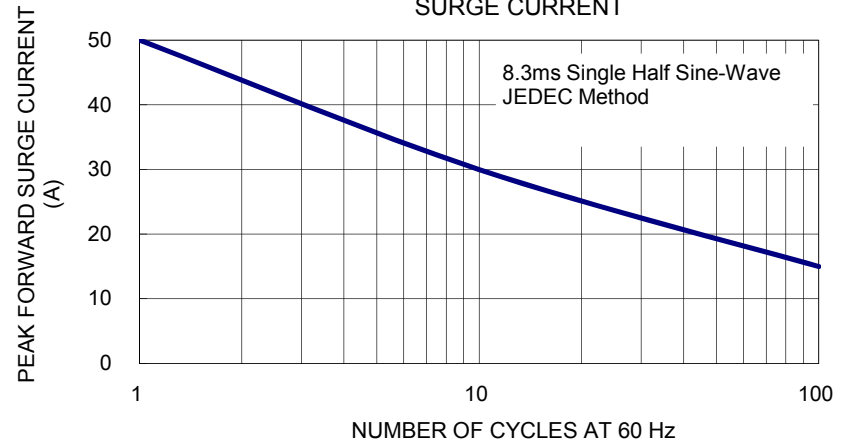


FIG. 3 TYPICAL FORWARD CHARACTERISTICS

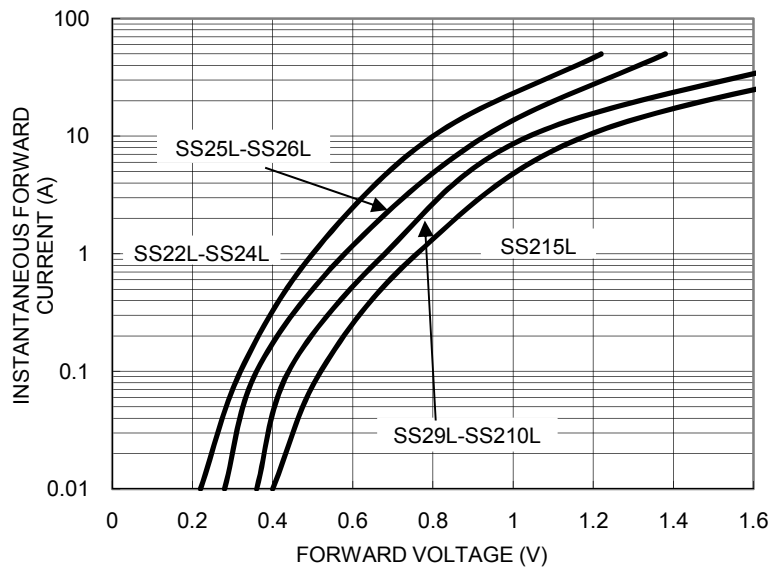


FIG. 4 TYPICAL REVERSE CHARACTERISTICS

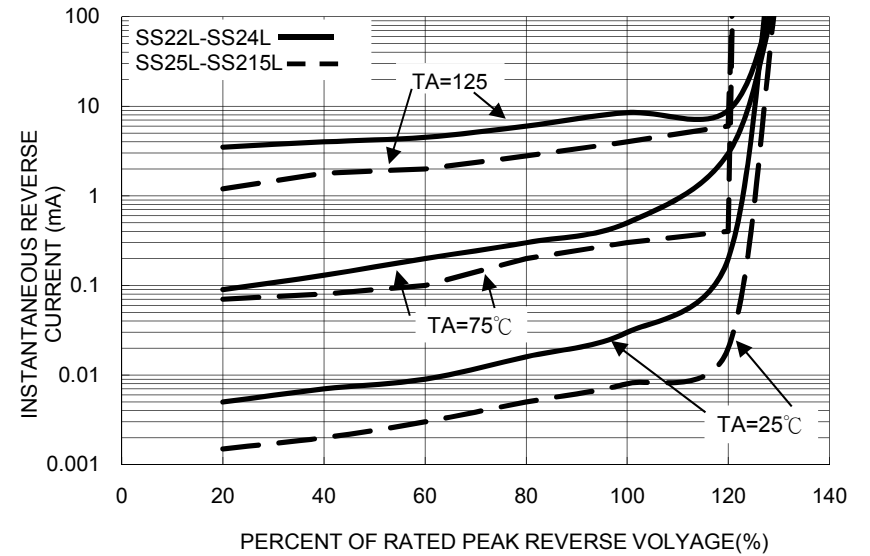


FIG. 5 TYPICAL JUNCTION CAPACITANCE

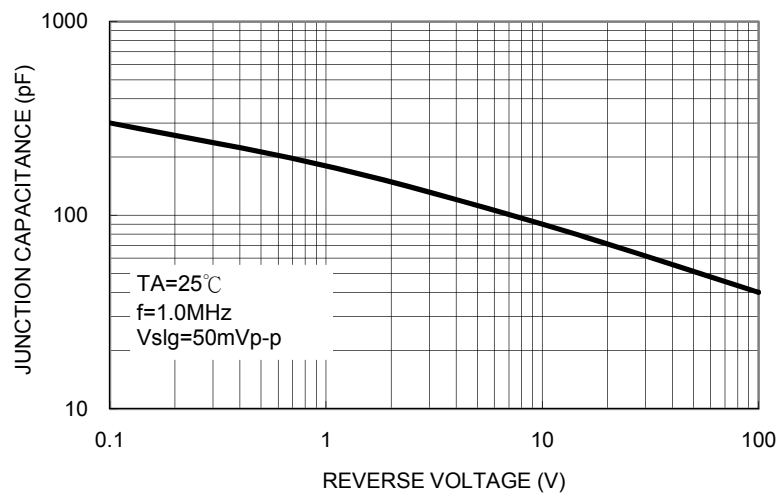
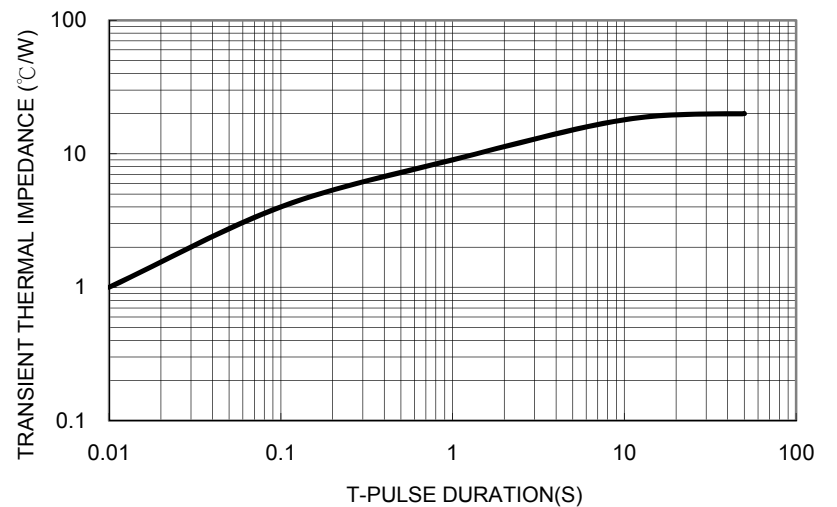


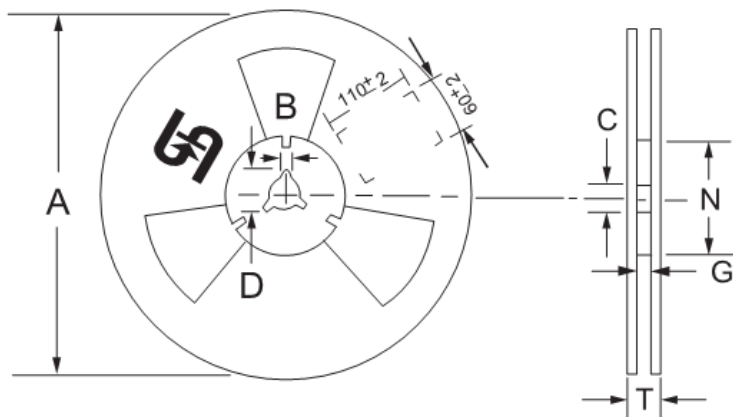
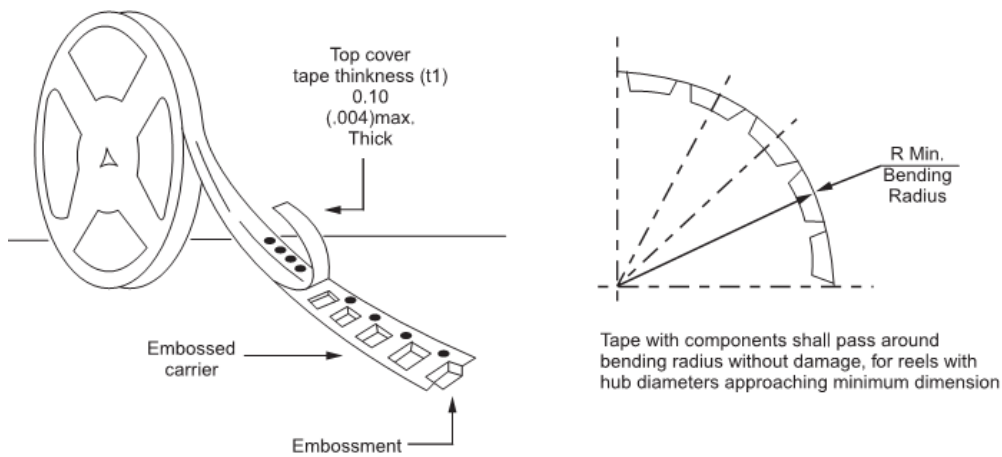
FIG. 6 TYPICAL TRANSIENT THERMAL IMPEDANCE



**Ordering information**

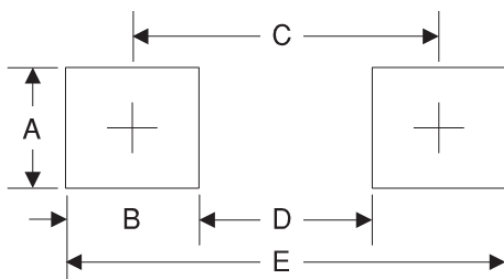
Part No.	Package	Packing	Tape Size	Packing code	Green Compound Packing code
SS2XL (Note)	Sub-SMA	1.8K / 7" REEL	8mm	RU	RUG
	Sub-SMA	3K / 7" REEL	8mm	RV	RVG
	Sub-SMA	7.5K / 13" REEL	8mm	RT	RTG
	Sub-SMA	10K / 13" REEL	8mm	RQ	RQG
	Sub-SMA	1.8K / 7" REEL	12mm	R3	R3G
	Sub-SMA	3K / 7" REEL	12mm	RF	RFG
	Sub-SMA	7.5K / 13" REEL	12mm	R2	R2G
	Sub-SMA	10K / 13" REEL	12mm	RH	RHG

Note: "x" is Device Code from "2" thru "15".

**Tape & Reel specification**


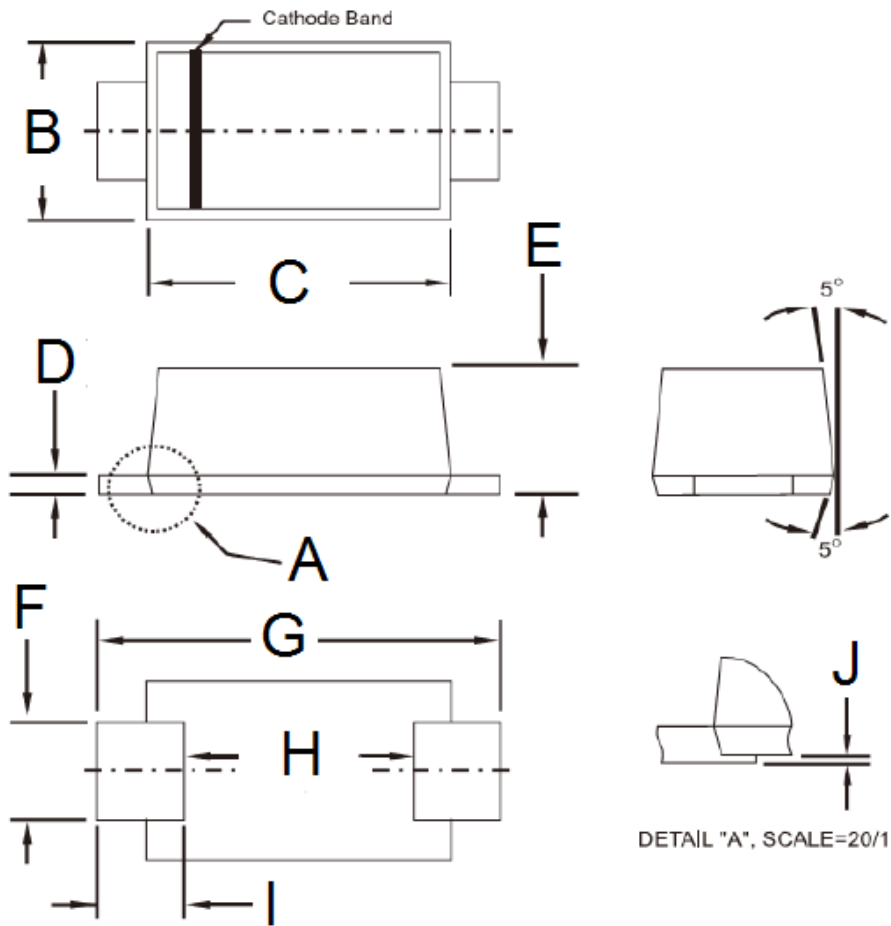
Reel Size	Tape Size	A	B	C	D	N	G	T
		±2.0	±0.4	+0.5;-0.2	min	±1.0	+0.8;-0	max
7"	8mm	178	1.9	13	21	62	8.2	10.6
	12mm						12.2	14.6
Reel Size	Tape Size	A	B	C	D	N	G	T
		max	±0.5	±0.5	min	±0.5	+2.0;-0	max
13"	8mm	330	2	13	20.2	75	8.5	14.5
	12mm						12.4	18.4

Unit (mm)

**Suggested PAD Layout**


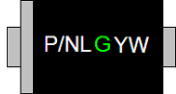
Symbol	Unit(mm)
A	1.4
B	1.2
C	3.1
D	1.9
E	4.3

**Package Outline Dimensions**



DIM.	Unit(mm)		Unit(inch)	
	Min	Max	Min	Max
B	1.70	1.90	0.067	0.075
C	2.70	2.90	0.106	0.114
D	0.16	0.30	0.006	0.012
E	1.23	1.43	0.048	0.056
F	0.80	1.20	0.031	0.047
G	3.40	3.80	0.134	0.150
H	2.45	2.60	0.096	0.102
I	0.35	0.85	0.014	0.033
J	0.00	0.10	0.000	0.004

**Marking Diagram**



P/NL = Specific Device Code  
 G = Green Compound  
 YW = Date Code