


Pin Definition:

- | | |
|-------------|------------|
| 1. Source 1 | 8. Drain 1 |
| 2. Gate 1 | 7. Drain 1 |
| 3. Source 2 | 6. Drain 2 |
| 4. Gate 2 | 5. Drain 2 |

MOSFET PRODUCT SUMMARY

	V_{DS} (V)	$R_{DS(on)}$ (m Ω)	I_D (A)
N-Channel	30	28 @ $V_{GS} = 10V$	6.5
		42 @ $V_{GS} = 4.5V$	5.0
P-Channel	-30	65 @ $V_{GS} = -10V$	-4.2
		90 @ $V_{GS} = -4.5V$	-3.5

Features

- Advance Trench Process Technology
- High Density Cell Design for Ultra Low On-resistance

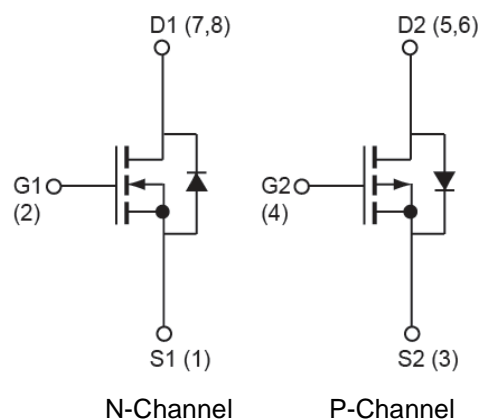
Application

- Load Switch
- PA Switch

Ordering Information

Part No.	Package	Packing
TSM4539DCS RLG	SOP-8	2.5Kpcs / 13" Reel

Note: "G" denote for Halogen Free Product

Block Diagram

MOSFET Absolute Maximum Rating ($T_A=25^\circ C$ unless otherwise noted)

Parameter	Symbol	N-CH Limit	P-CH Limit	Unit
Drain-Source Voltage	V_{DS}	30	-30	V
Gate-Source Voltage	V_{GS}	± 20	± 20	V
Continuous Drain Current, V_{GS}	I_D	6.5	-4.2	A
Pulsed Drain Current,	I_{DM}	28	-20	A
Drain-Source Diode Forward Current	I_S	2.5	-1.9	A
Power Dissipation @ $T_a = 25^\circ C$	P_D	2.1	2.1	W
Operating Junction Temperature	T_J	150		$^\circ C$
Operating Junction and Storage Temperature Range	T_J, T_{STG}	-55 ~ +150		$^\circ C$

Thermal Performance

Parameter	Symbol	N-CH Limit	P-CH Limit	Unit
Junction to Ambient Thermal Resistance	$R_{\theta JA}$	62.5	62.5	$^\circ C/W$
Junction to Lead Thermal Resistance	$R_{\theta JL}$	40	40	$^\circ C/W$

Notes:

- Pulse width limited by the Maximum junction temperature
- Surface Mounted on FR4 Board using 1 inch sq pad size, $t \leq 5$ sec.
- Surge Applied at Rated Load Conditions, Half-Wave, Single Phase, 60Hz.

Electrical Specifications ($T_A=25^\circ\text{C}$ unless otherwise noted)

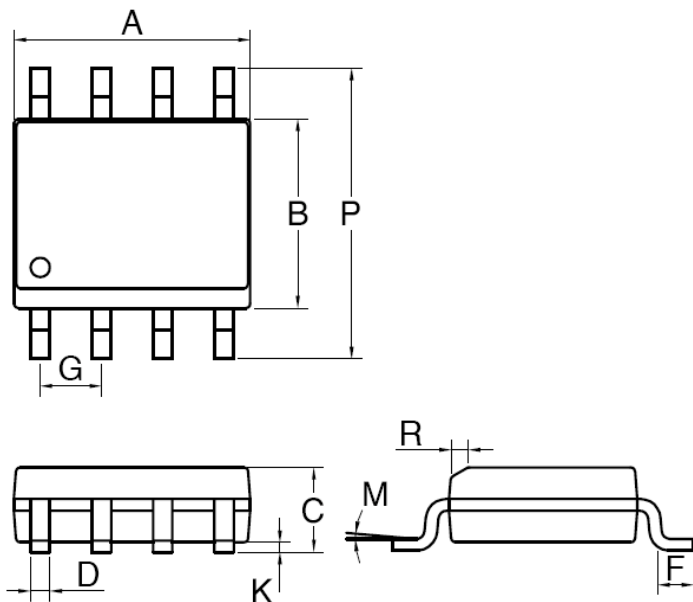
Parameter	Conditions	Symbol	Min	Typ	Max	Unit	
Static							
Drain-Source Breakdown Voltage	$V_{GS}=0V, I_D=250\mu A$	BV_{DSS}	N-CH	30	--	--	V
	$V_{GS}=0V, I_D=-250\mu A$		P-CH	-30	--	--	
Gate Threshold Voltage	$V_{DS}=V_{GS}, I_D=250\mu A$	$V_{GS(TH)}$	N-CH	1.0	1.4	3.0	V
	$V_{DS}=V_{GS}, I_D=-250\mu A$		P-CH	-1.0	-1.5	-3.0	
Gate Body Leakage	$V_{GS}=\pm 20V, V_{DS}=0V$	I_{GSS}	N-CH	--	--	± 100	nA
	$V_{GS}=\pm 20V, V_{DS}=0V$		P-CH	--	--	± 10	
Zero Gate Voltage Drain Current	$V_{DS}=24V, V_{GS}=0V$	I_{DSS}	N-CH	--	--	1	μA
	$V_{DS}=-24V, V_{GS}=0V$		P-CH	--	--	-1	
Drain-Source On-State Resistance ^a	$V_{GS}=10V, I_D=6.5A$	$R_{DS(ON)}$	N-CH	--	23	28	m Ω
	$V_{GS}=-10V, I_D=-4.2A$		P-CH	--	50	65	
	$V_{GS}=4.5V, I_D=5A$		N-CH	--	35	42	
	$V_{GS}=-4.5V, I_D=-3.5A$		P-CH	--	82	90	
Dynamic^b							
Total Gate Charge	N-Channel $V_{DS}=10V, I_D=1A,$ $V_{GS}=10V$	Q_g	N-CH	--	7	--	nC
			P-CH	--	9.7	--	
Gate-Source Charge	P-Channel $V_{DS}=-15V, I_D=-5.2A,$ $V_{GS}=-10V$	Q_{gs}	N-CH	--	1.6	--	
			P-CH	--	1.6	--	
Gate-Drain Charge	N-Channel $V_{DS}=15V, V_{GS}=0V,$ $f=1.0\text{MHz}$	Q_{gd}	N-CH	--	1.0	--	
			P-CH	--	1.3	--	
Input Capacitance	P-Channel $V_{DS}=-15V, V_{GS}=0V,$ $f=1.0\text{MHz}$	C_{iss}	N-CH	--	610	--	pF
			P-CH	--	100	--	
Output Capacitance	N-Channel $V_{DS}=15V, V_{GS}=0V,$ $f=1.0\text{MHz}$	C_{oss}	N-CH	--	77	--	
			P-CH	--	551	--	
Reverse Transfer Capacitance	P-Channel $V_{DS}=-15V, V_{GS}=0V,$ $f=1.0\text{MHz}$	C_{rss}	N-CH	--	90	--	
			P-CH	--	60	--	
Switching^b							
Turn-On Delay Time	N-Channel $V_{DD}=15V, I_D=1A,$ $V_{GEN}=10V, R_G=6\Omega$	$t_{d(on)}$	N-CH	--	7	--	nS
			P-CH	--	6.2	--	
Turn-On Rise Time	P-Channel $V_{DD}=-15V, I_D=-1A,$ $V_{GEN}=-10V, R_G=6\Omega$	t_r	N-CH	--	10	--	
			P-CH	--	6.2	--	
Turn-Off Delay Time	N-Channel $V_{DD}=15V, I_D=1A,$ $V_{GEN}=10V, R_G=6\Omega$	$t_{d(off)}$	N-CH	--	16	--	
			P-CH	--	26	--	
Turn-Off Fall Time	P-Channel $V_{DD}=-15V, I_D=-1A,$ $V_{GEN}=-10V, R_G=6\Omega$	t_f	N-CH	--	7	--	
			P-CH	--	5.5	--	
Diode Forward Voltage	$I_S=1A, V_{GS}=0V$	V_{SD}	N-CH	--	--	1.0	V
	$I_S=-1.9A, V_{GS}=0V$		P-CH	--	--	-1.3	

Notes:

a. Pulse test: $PW \leq 300\mu S$, duty cycle $\leq 2\%$

b. For DESIGN AID ONLY, not subject to production testing.

SOP-8 Mechanical Drawing



SOP-8 DIMENSION				
DIM	MILLIMETERS		INCHES	
	MIN	MAX	MIN	MAX.
A	4.80	5.00	0.189	0.196
B	3.80	4.00	0.150	0.157
C	1.35	1.75	0.054	0.068
D	0.35	0.49	0.014	0.019
F	0.40	1.25	0.016	0.049
G	1.27BSC		0.05BSC	
K	0.10	0.25	0.004	0.009
M	0°	7°	0°	7°
P	5.80	6.20	0.229	0.244
R	0.25	0.50	0.010	0.019

Notice

Specifications of the products displayed herein are subject to change without notice. TSC or anyone on its behalf, assumes no responsibility or liability for any errors or inaccuracies.

Information contained herein is intended to provide a product description only. No license, express or implied, to any intellectual property rights is granted by this document. Except as provided in TSC's terms and conditions of sale for such products, TSC assumes no liability whatsoever, and disclaims any express or implied warranty, relating to sale and/or use of TSC products including liability or warranties relating to fitness for a particular purpose, merchantability, or infringement of any patent, copyright, or other intellectual property right.

The products shown herein are not designed for use in medical, life-saving, or life-sustaining applications. Customers using or selling these products for use in such applications do so at their own risk and agree to fully indemnify TSC for any damages resulting from such improper use or sale.