

General Description

This planar stripe MOSFET has better characteristics, such as fast switching time, low on resistance, low gate charge and excellent avalanche characteristics. It is mainly suitable for electronic ballast and switch mode power supplies.

FEATURES

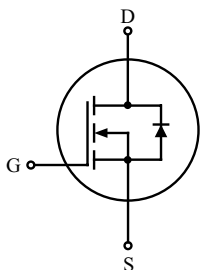
- $V_{DSS} = 900V$, $I_D = 3A$
- Drain-Source ON Resistance
: $R_{DS(ON)} = 4.5 \Omega$ @ $V_{GS} = 10V$
- $Q_g(\text{typ.}) = 25nC$

MAXIMUM RATING (Tc=25°C)

CHARACTERISTIC	SYMBOL	RATING		UNIT	
		KHB3D0N90P1	KHB3D0N90F1 KHB3D0N90F2		
Drain-Source Voltage	V_{DSS}	900		V	
Gate-Source Voltage	V_{GSS}	± 30		V	
Drain Current	@T _C =25°C	I_D	3.0	3.0*	A
	Pulsed (Note 1)	I_{DP}	12	12*	
Single Pulsed Avalanche Energy (Note 2)	E_{AS}	450		mJ	
Repetitive Avalanche Energy (Note 1)	E_{AR}	13		mJ	
Peak Diode Recovery dv/dt (Note 3)	dv/dt	4.0		V/ns	
Drain Power Dissipation	Tc=25°C	P_D	130	43	W
	Derate above 25°C		1.04	0.34	
Maximum Junction Temperature	T_j	150		°C	
Storage Temperature Range	T_{stg}	-55~150		°C	
Thermal Characteristics					
Thermal Resistance, Junction-to-Case	R_{thJC}	0.96	2.9	°C/W	
Thermal Resistance, Junction-to-Ambient	R_{thJA}	62.5	62.5	°C/W	

* : Drain current limited by maximum junction temperature.

PIN CONNECTION



KHB3D0N90P1

DIM	MILLIMETERS
A	9.9 ± 0.2
B	15.95 MAX
C	1.3+0.1/-0.05
D	0.8 ± 0.1
E	∅3.6 ± 0.2
F	2.8 ± 0.1
G	3.7
H	0.5+0.1/-0.05
I	∅1.5
J	13.08 ± 0.3
K	1.46
L	1.4 ± 0.1
M	1.27 ± 0.1
N	2.54 ± 0.2
O	4.5 ± 0.2
P	2.4 ± 0.2
Q	9.2 ± 0.2

1. GATE
2. DRAIN
3. SOURCE

TO-220AB

KHB3D0N90F1

DIM	MILLIMETERS
A	10.16 ± 0.2
B	15.87 ± 0.2
C	2.54 ± 0.2
D	0.8 ± 0.1
E	∅3.18 ± 0.1
F	3.3 ± 0.1
G	12.57 ± 0.2
H	0.5 ± 0.1
J	13.0 MAX
K	3.23 ± 0.1
L	1.47 MAX
M	1.47 MAX
N	2.54 ± 0.2
O	6.68 ± 0.2
Q	4.7 ± 0.2
R	2.76 ± 0.2

1. GATE
2. DRAIN
3. SOURCE

TO-220IS (1)

KHB3D0N90F2

DIM	MILLIMETERS
A	10.0 ± 0.3
B	15.0 ± 0.3
C	2.70 ± 0.3
D	0.76+0.09/-0.05
E	∅3.2 ± 0.2
F	3.0 ± 0.3
G	12.0 ± 0.3
H	0.5+0.1/-0.05
J	13.6 ± 0.5
K	3.7 ± 0.2
L	1.2+0.25/-0.1
M	1.5+0.25/-0.1
N	2.54 ± 0.1
P	6.8 ± 0.1
Q	4.5 ± 0.2
R	2.6 ± 0.2
S	0.5 Typ

1. GATE
2. DRAIN
3. SOURCE

TO-220IS

KHB3D0N90P1/F1/F2

ELECTRICAL CHARACTERISTICS (Tc=25 °C)

CHARACTERISTIC	SYMBOL	TEST CONDITION	MIN.	TYP.	MAX.	UNIT
Static						
Drain-Source Breakdown Voltage	BV_{DSS}	$I_D=250\mu A, V_{GS}=0V$	900	-	-	V
Breakdown Voltage Temperature Coefficient	$\Delta BV_{DSS}/\Delta T_j$	$I_D=250\mu A$, Referenced to 25 °C	-	1	-	V/°C
Gate Threshold Voltage	V_{th}	$V_{DS}=V_{GS}, I_D=250\mu A$	2.0	-	4.0	V
Drain Cut-off Current	I_{DSS}	$V_{DS}=900V, V_{GS}=0V$,	-	-	10	μA
Gate Leakage Current	I_{GSS}	$V_{GS}=\pm 30V, V_{DS}=0V$	-	-	± 100	nA
Drain-Source ON Resistance	$R_{DS(ON)}$	$V_{GS}=10V, I_D=1.5A$	-	4.0	4.5	Ω
Dynamic						
Total Gate Charge	Q_g	$V_{DS}=720V, I_D=3.0A$ $V_{GS}=10V$ (Note4, 5)	-	25	32	nC
Gate-Source Charge	Q_{gs}		-	4	-	
Gate-Drain Charge	Q_{gd}		-	11.5	-	
Turn-on Delay time	$t_{d(on)}$	$V_{DD}=450V, R_G=25\Omega$ $I_D=3.0A$ (Note4, 5)	-	31	72	ns
Turn-on Rise time	t_r		-	65	139	
Turn-off Delay time	$t_{d(off)}$		-	104	218	
Turn-off Fall time	t_f		-	127	264	
Input Capacitance	C_{iss}	$V_{DS}=25V, V_{GS}=0V, f=1.0MHz$	-	820	1066	pF
Output Capacitance	C_{oss}		-	63	82	
Reverse Transfer Capacitance	C_{rss}		-	9	12	
Source-Drain Diode Ratings						
Continuous Source Current	I_S	$V_{GS}<V_{th}$	-	-	3.0	A
Pulsed Source Current	I_{SP}		-	-	12	
Diode Forward Voltage	V_{SD}	$I_S=3.0A, V_{GS}=0V$	-	-	1.6	V
Reverse Recovery Time	t_{rr}	$I_S=3.0A, V_{DD}=450V$, $dI_S/dt=100A/\mu s$ (Note 4)	-	510	-	ns
Reverse Recovery Charge	Q_{rr}		-	2.2	-	μC

Note 1) Repetivity rating : Pulse width limited by junction temperature.

Note 2) $L=94mH, I_S=3.0A, V_{DD}=50V, R_G=25\Omega$, Starting $T_j=25^\circ C$.

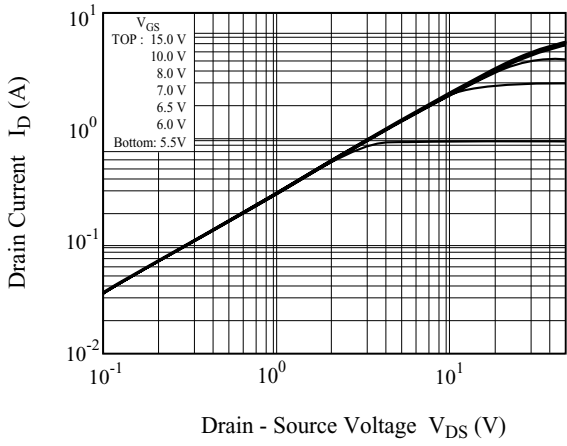
Note 3) $I_S \leq 3.0A, dI/dt \leq 200A/\mu s, V_{DD} \leq BV_{DSS}$, Starting $T_j=25^\circ C$.

Note 4) Pulse Test : Pulse width $\leq 300\mu s$, Duty Cycle $\leq 2\%$.

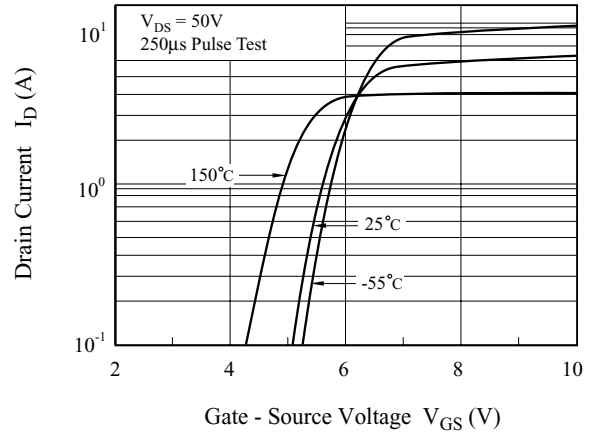
Note 5) Essentially independent of operating temperature.

KHB3D0N90P1/F1/F2

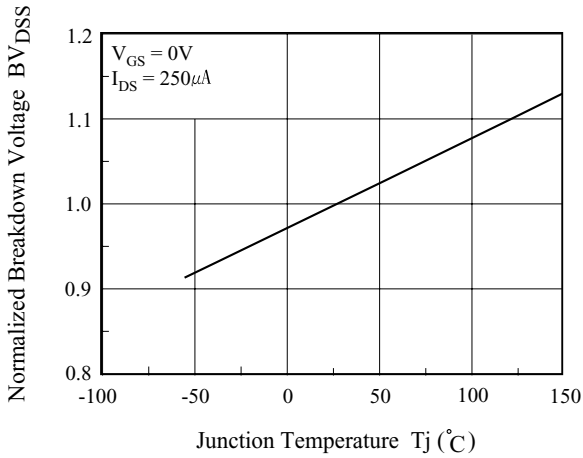
$I_D - V_{DS}$



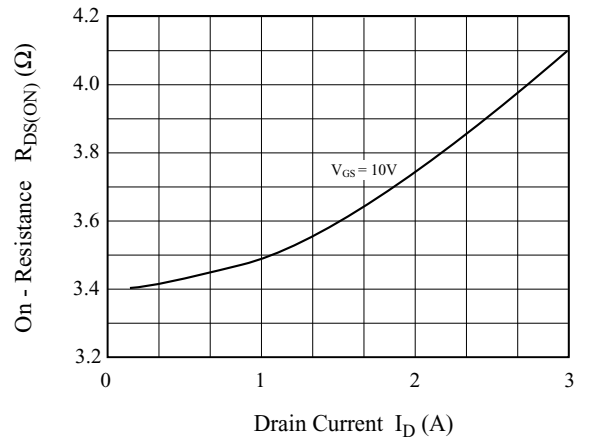
$I_D - V_{GS}$



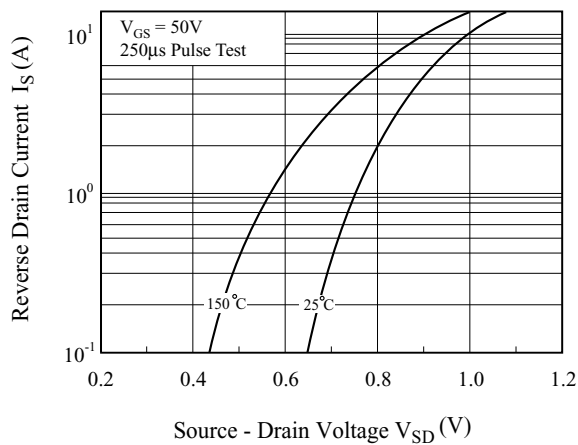
$BV_{DSS} - T_j$



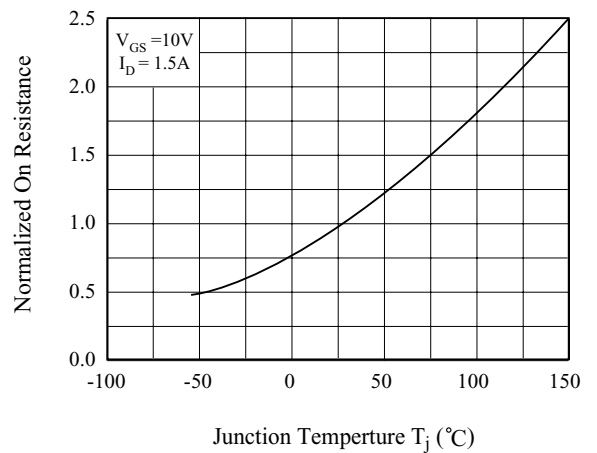
$R_{DS(ON)} - I_D$



$I_S - V_{SD}$

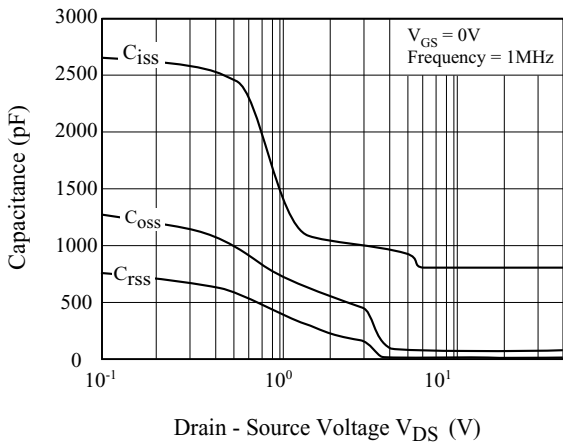


$R_{DS(ON)} - T_j$

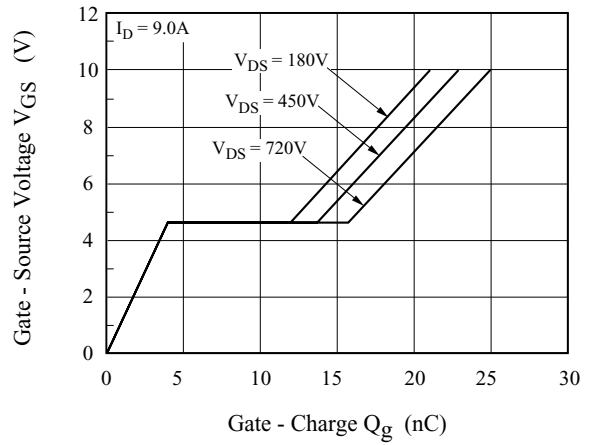


KHB3D0N90P1/F1/F2

C - V_{DS}

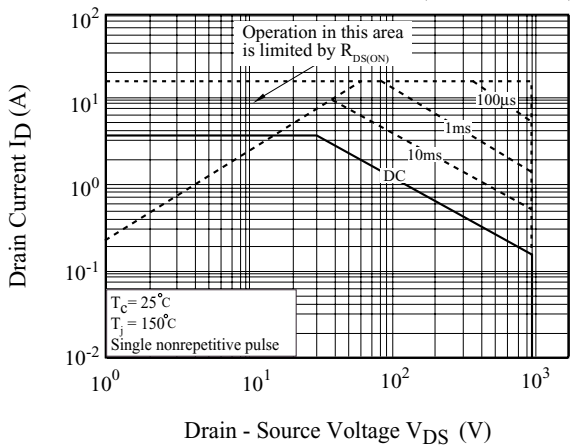


Q_g- V_{GS}



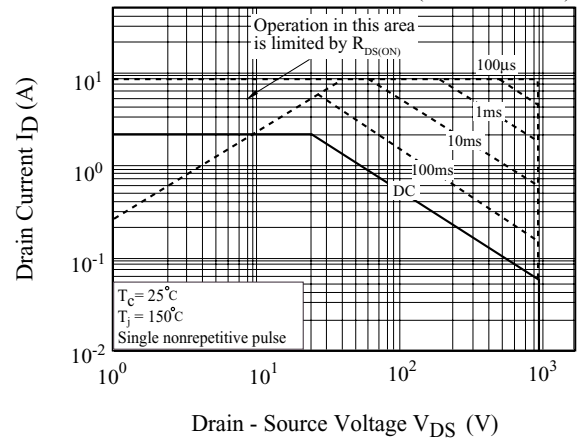
Safe Operation Area

(KHB3D0N90P1)

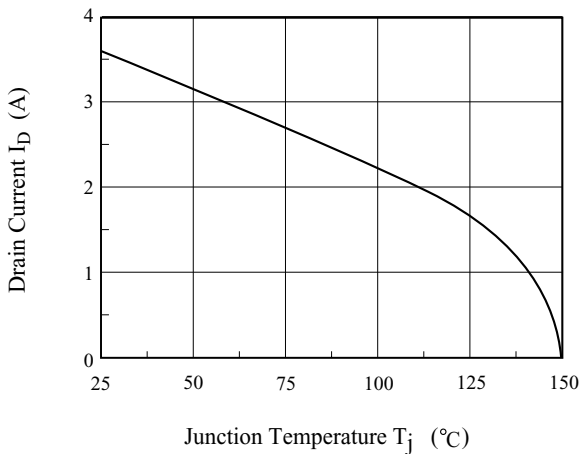


Safe Operation Area

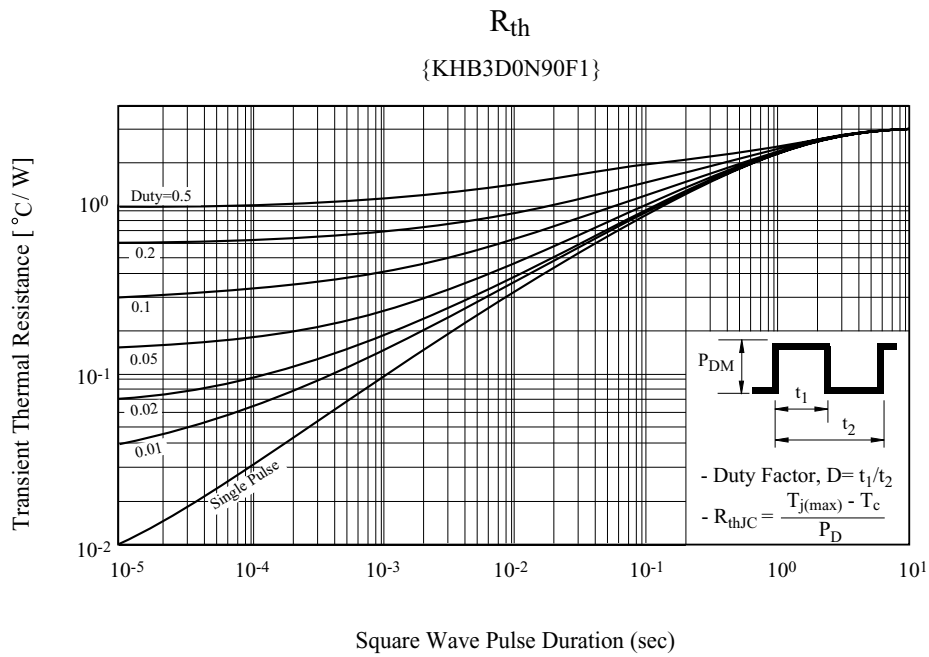
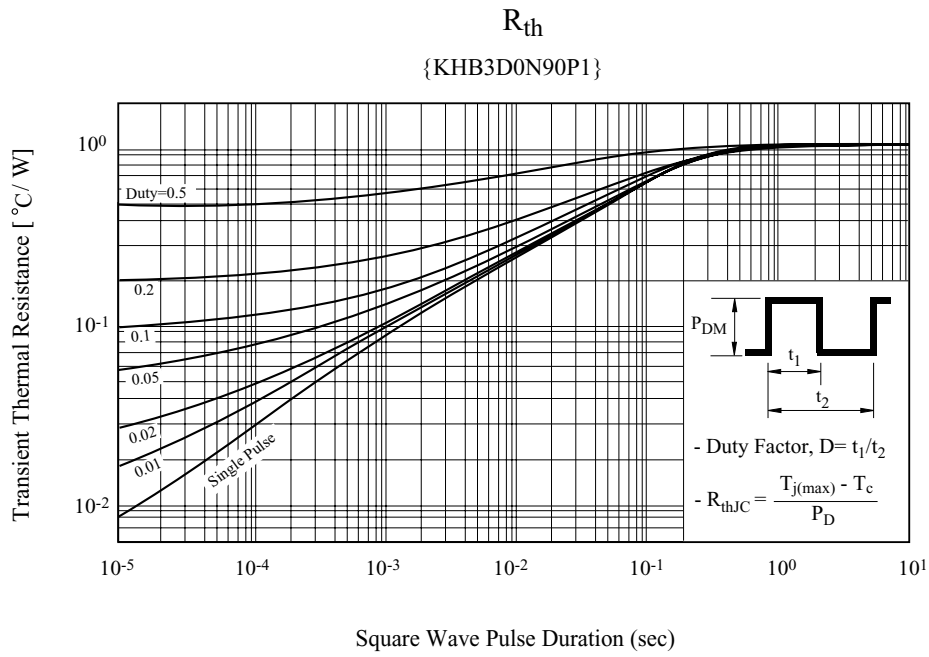
(KHB3D0N90F1)



I_D - T_j

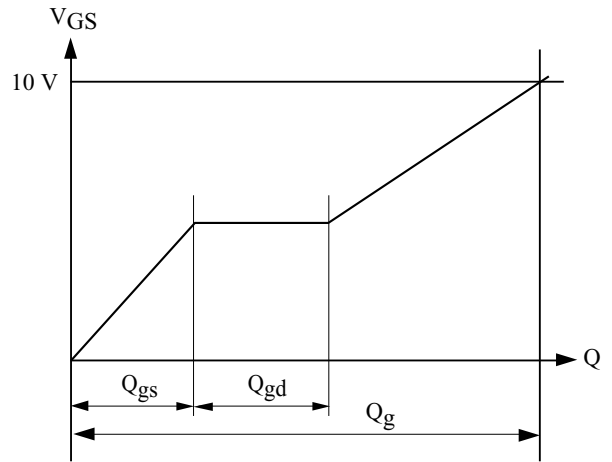
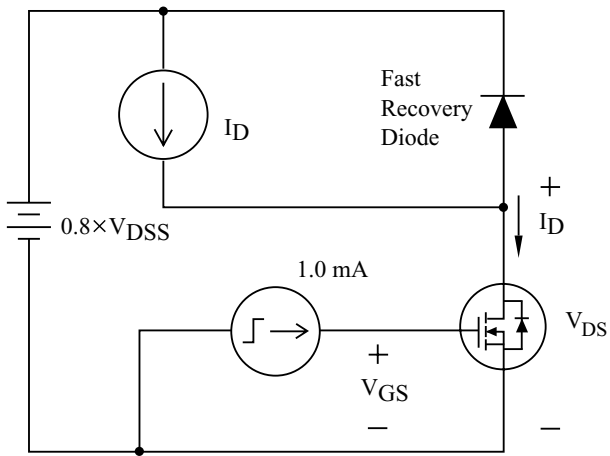


KHB3D0N90P1/F1/F2

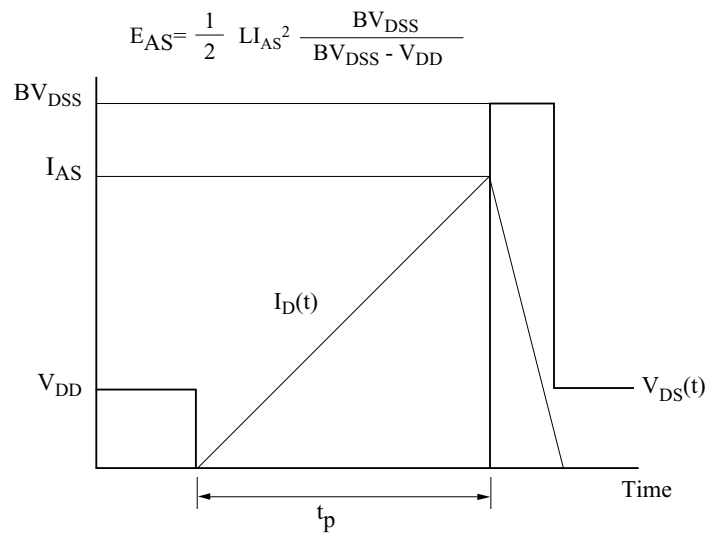
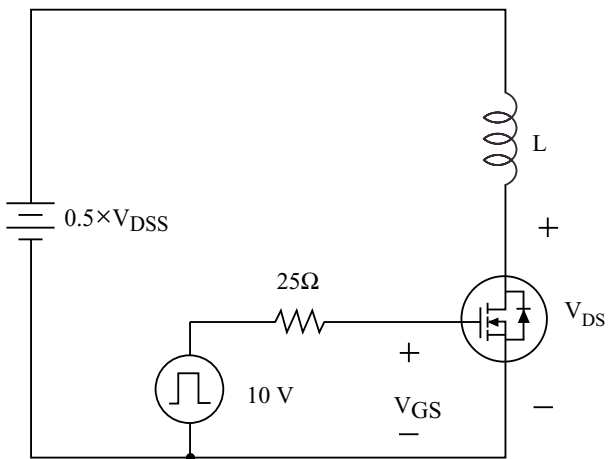


KHB3D0N90P1/F1/F2

- Gate Charge

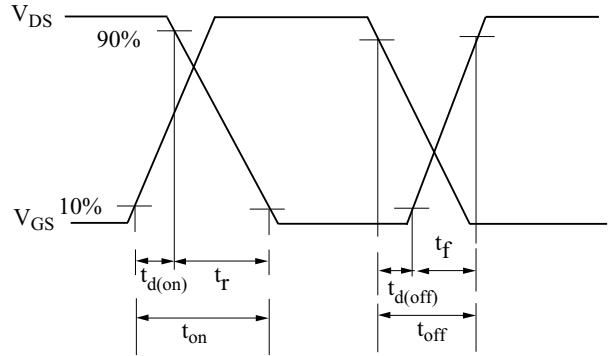
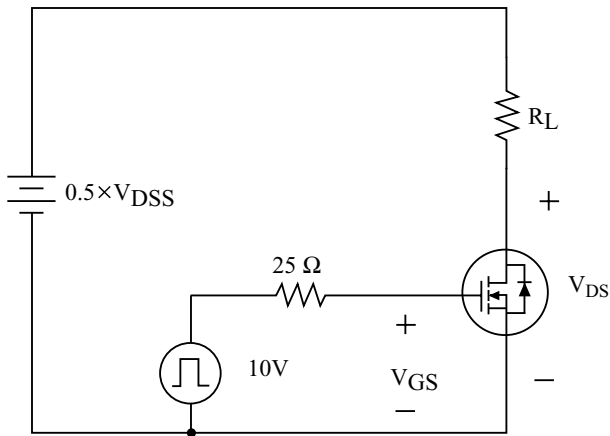


- Single Pulsed Avalanche Energy



KHB3D0N90P1/F1/F2

- Resistive Load Switching



- Source - Drain Diode Reverse Recovery and dv/dt

