

General Description

This planar stripe MOSFET has better characteristics, such as fast switching time, fast reverse recovery time, low on resistance, low gate charge and excellent avalanche characteristics. It is mainly suitable for electronic ballast and switching mode power supplies.

FEATURES

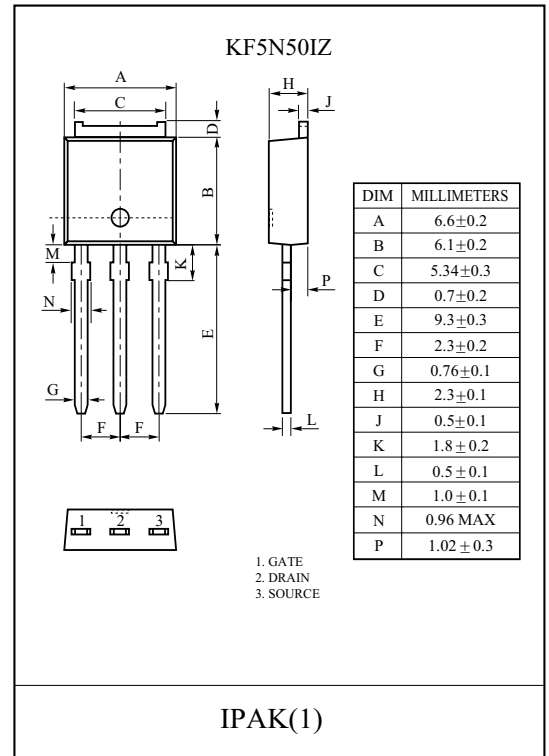
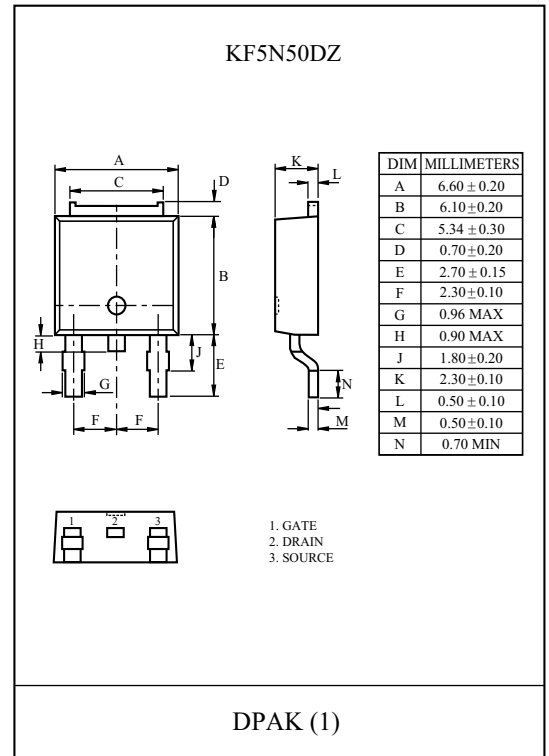
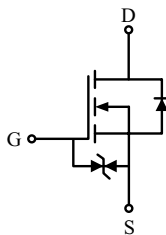
- $V_{DSS} = 500V$, $I_D = 4.3A$
- Drain-Source ON Resistance : $R_{DS(ON)} = 1.4$ (Max) @ $V_{GS} = 10V$
- $Q_g(\text{typ}) = 12nC$

MAXIMUM RATING (Tc=25)

CHARACTERISTIC		SYMBOL	RATING	UNIT
Drain-Source Voltage		V_{DSS}	500	V
Gate-Source Voltage		V_{GSS}	± 30	V
Drain Current	@T _C =25	I_D	4.3	A
	@T _C =100		2.7	
	Pulsed (Note1)	I_{DP}	13	
Single Pulsed Avalanche Energy (Note 2)		E_{AS}	270	mJ
Repetitive Avalanche Energy (Note 1)		E_{AR}	8.6	mJ
Peak Diode Recovery dv/dt (Note 3)		dv/dt	20	V/ns
Drain Power Dissipation	Tc=25	P_D	59.5	W
	Derate above 25		0.48	W/
Maximum Junction Temperature		T_j	150	
Storage Temperature Range		T_{stg}	-55 150	
Thermal Characteristics				
Thermal Resistance, Junction-to-Case		R_{thJC}	2.1	/W
Thermal Resistance, Junction-to-Ambient		R_{thJA}	110	/W

PIN CONNECTION

(KF5N50DZ/IZ)



KF5N50DZ/IZ

ELECTRICAL CHARACTERISTICS (Tc=25 °C)

CHARACTERISTIC	SYMBOL	TEST CONDITION	MIN.	TYP.	MAX.	UNIT
Static						
Drain-Source Breakdown Voltage	BV_{DSS}	$I_D=250\mu A, V_{GS}=0V$	500	-	-	V
Breakdown Voltage Temperature Coefficient	BV_{DSS}/T_j	$I_D=250\mu A$, Referenced to 25	-	0.55	-	V/°C
Drain Cut-off Current	I_{DSS}	$V_{DS}=500V, V_{GS}=0V$,	-	-	10	μA
Gate Threshold Voltage	V_{th}	$V_{DS}=V_{GS}, I_D=250\mu A$	2.5	-	4.5	V
Gate Leakage Current	I_{GSS}	$V_{GS}=\pm 25V, V_{DS}=0V$	-	-	± 10	μA
Drain-Source ON Resistance	$R_{DS(ON)}$	$V_{GS}=10V, I_D=2.15A$	-	1.10	1.4	Ω
Dynamic						
Total Gate Charge	Q_g	$V_{DS}=400V, I_D=5A$ $V_{GS}=10V$ (Note4,5)	-	12	-	nC
Gate-Source Charge	Q_{gs}		-	2.4	-	
Gate-Drain Charge	Q_{gd}		-	5.4	-	
Turn-on Delay time	$t_{d(on)}$	$V_{DD}=250V$ $I_D=5A$ $R_G=25$ (Note4,5)	-	22.5	-	ns
Turn-on Rise time	t_r		-	29	-	
Turn-off Delay time	$t_{d(off)}$		-	58	-	
Turn-off Fall time	t_f		-	18	-	
Input Capacitance	C_{iss}	$V_{DS}=25V, V_{GS}=0V, f=1.0MHz$	-	430	-	pF
Output Capacitance	C_{oss}		-	71	-	
Reverse Transfer Capacitance	C_{rss}		-	7.5	-	
Source-Drain Diode Ratings						
Continuous Source Current	I_S	$V_{GS}<V_{th}$	-	-	5	A
Pulsed Source Current	I_{SP}		-	-	20	
Diode Forward Voltage	V_{SD}	$I_S=4.3A, V_{GS}=0V$	-	-	1.4	V
Reverse Recovery Time	t_{rr}	$I_S=5A, V_{GS}=0V$, $dI_S/dt=100A/\mu s$	-	300	-	ns
Reverse Recovery Charge	Q_{rr}		-	2.0	-	μC

Note 1) Repetivity rating : Pulse width limited by junction temperature.

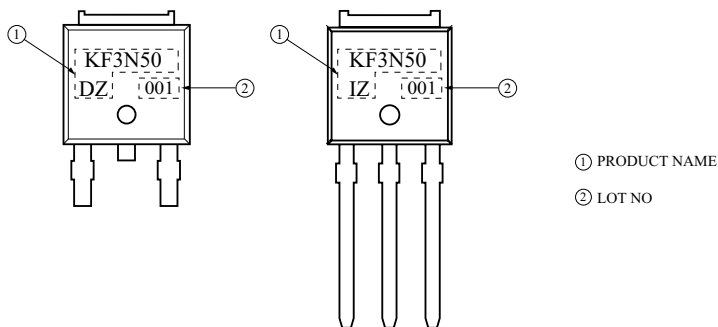
Note 2) $L=19.5mH, I_S=5A, V_{DD}=50V, R_G=25$, Starting $T_j=25$.

Note 3) $I_S=5A, dI/dt=100A/\mu s, V_{DD}=BV_{DSS}$, Starting $T_j=25$.

Note 4) Pulse Test : Pulse width $300\mu s$, Duty Cycle 2% .

Note 5) Essentially independent of operating temperature.

Marking



KF5N50DZ/AZ

Fig1. $I_D - V_{DS}$

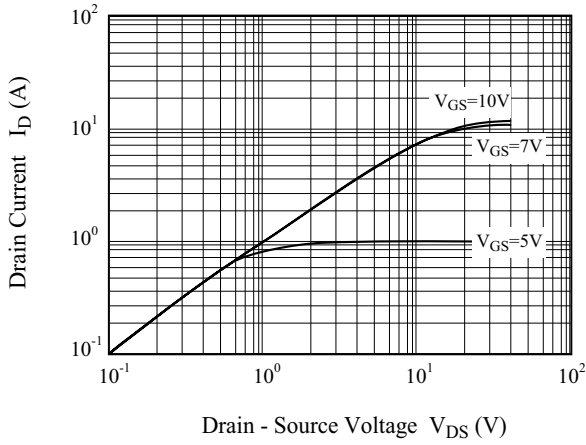


Fig2. $I_D - V_{GS}$

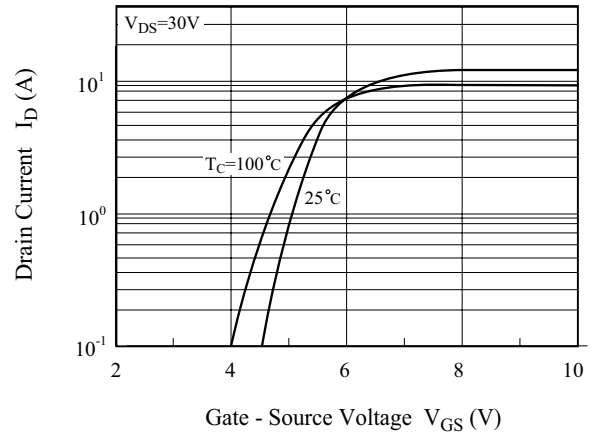


Fig3. $BV_{DSS} - T_j$

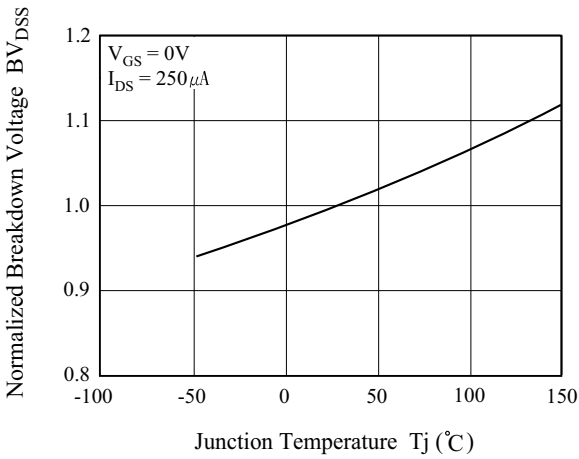


Fig4. $R_{DS(ON)} - I_D$

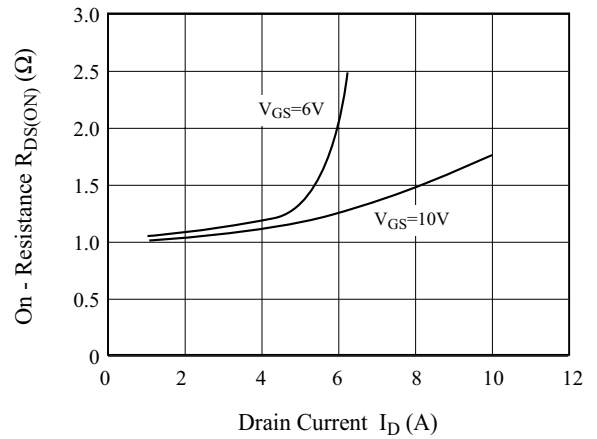


Fig5. $I_S - V_{SD}$

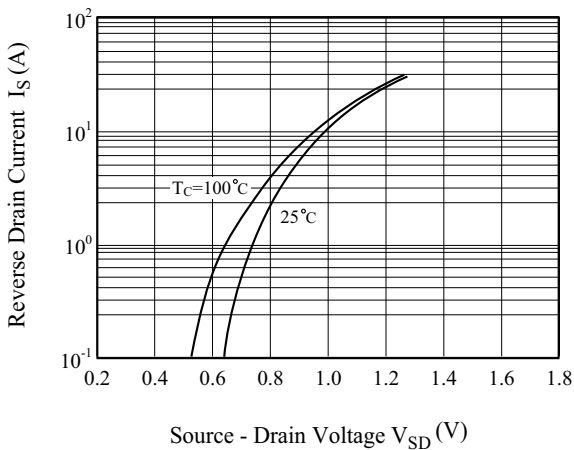
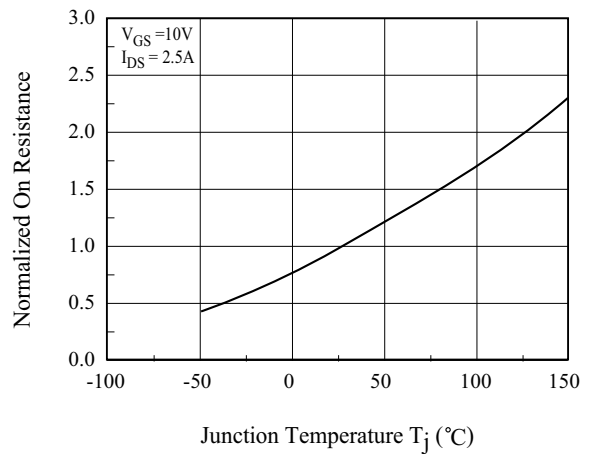


Fig6. $R_{DS(ON)} - T_j$



KF5N50DZ/IZ

Fig 7. C - V_{DS}

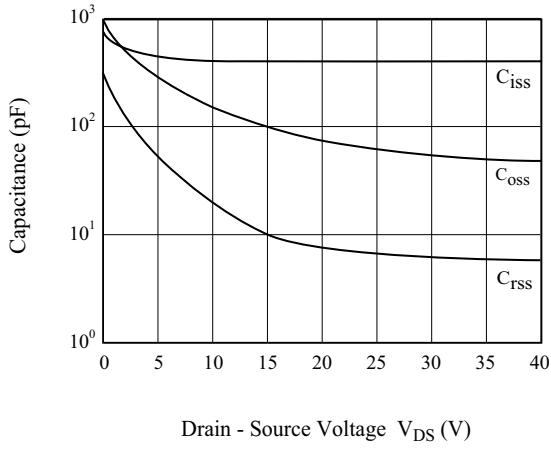


Fig8. Qg- V_{GS}

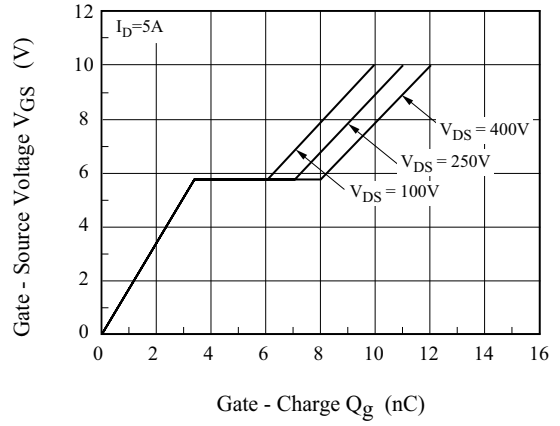


Fig9. Safe Operation Area

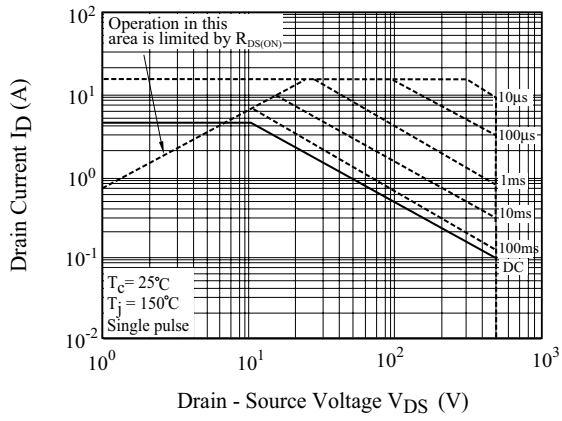


Fig10. ID - Tj

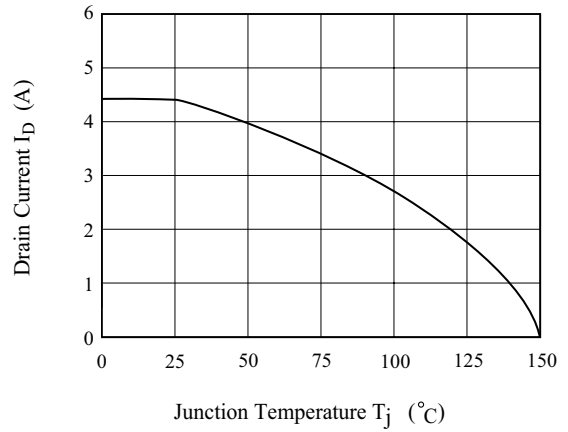


Fig11. Transient Thermal Response Curve

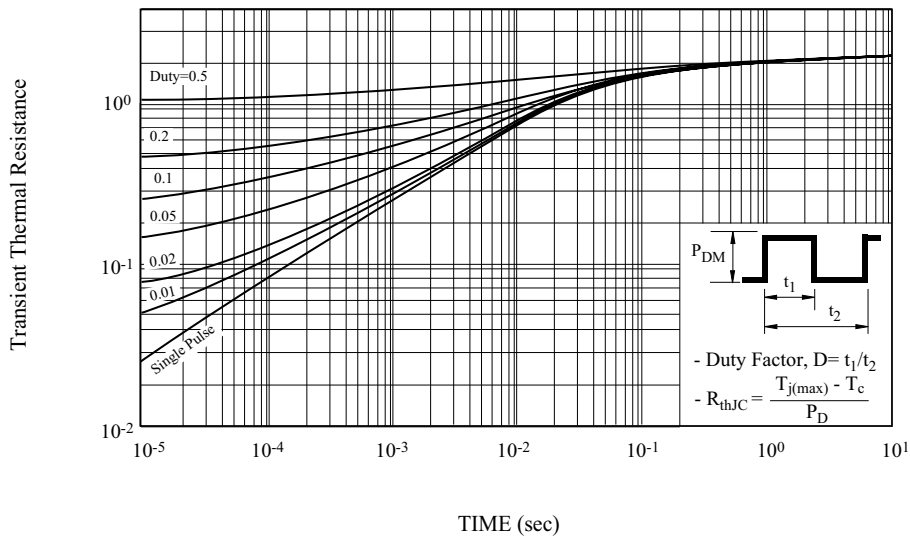


Fig12. Gate Charge

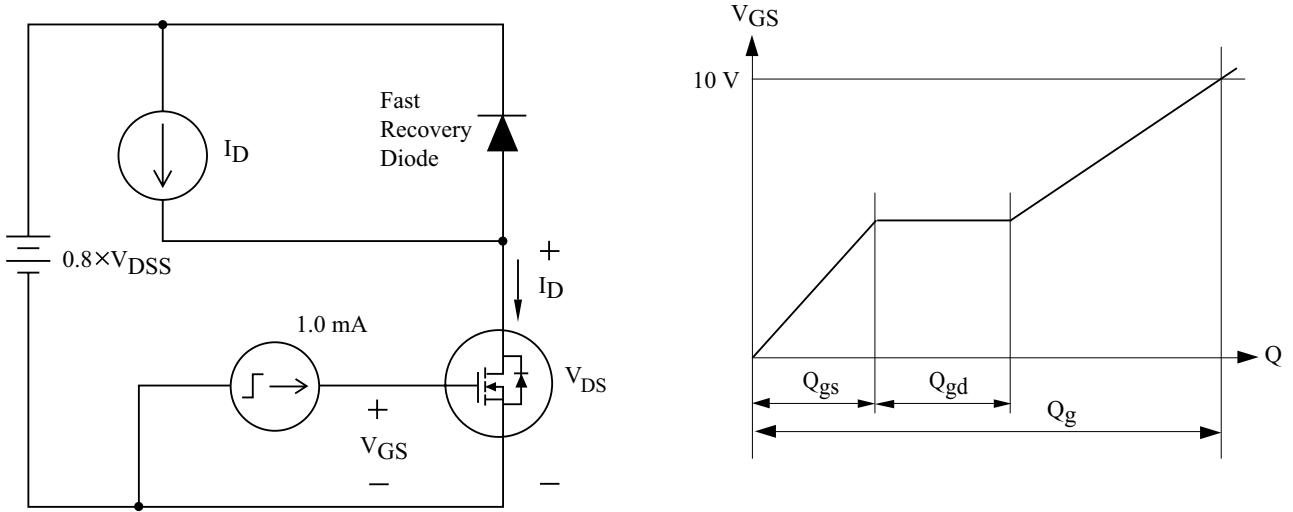


Fig13. Single Pulsed Avalanche Energy

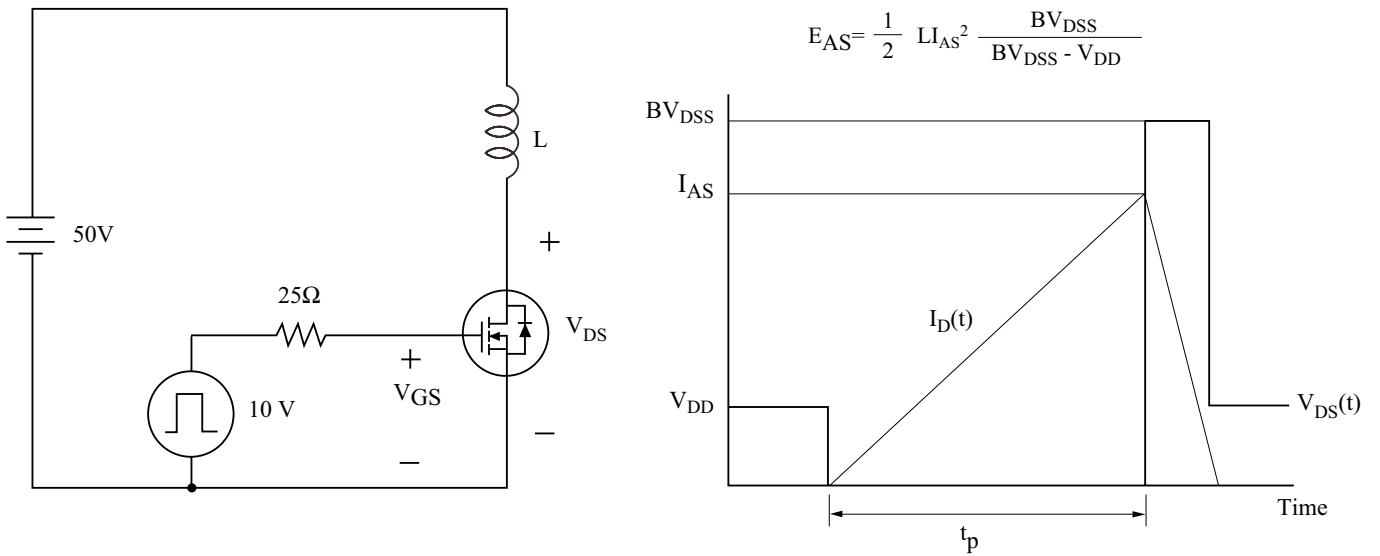


Fig14. Resistive Load Switching

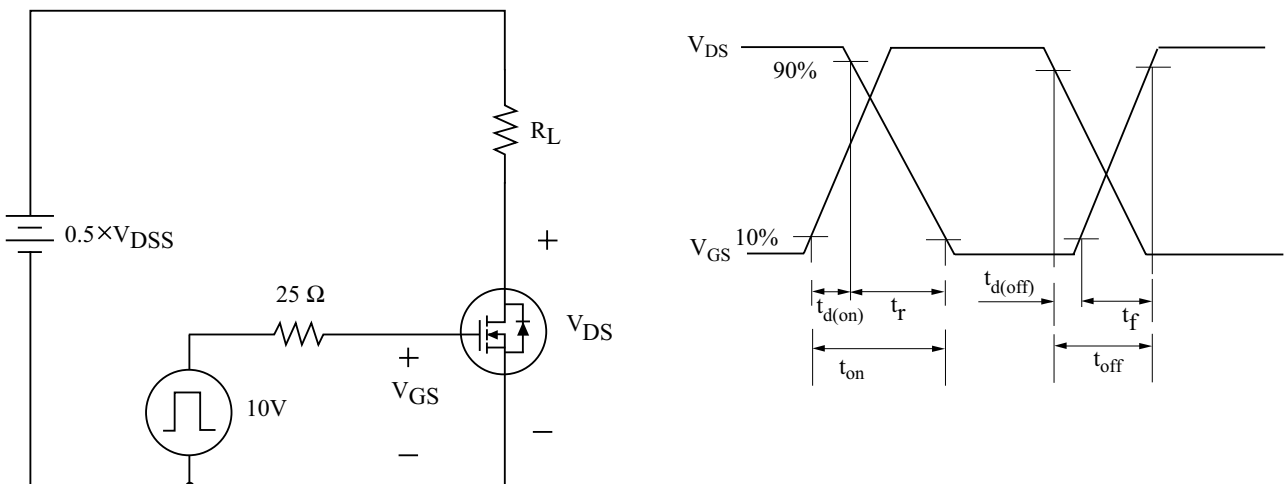


Fig15. Source - Drain Diode Reverse Recovery and dv/dt

