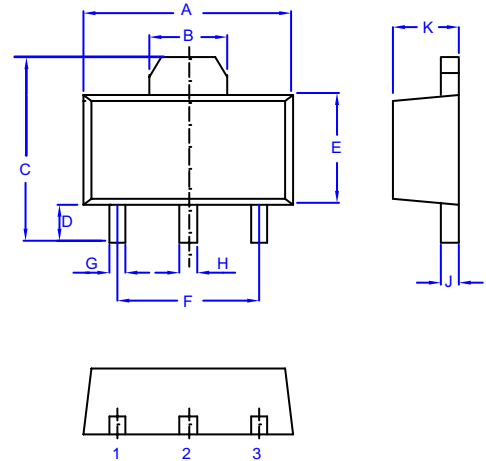




2SD1664

NPN Epitaxial Planar Silicon Transistors

SOT-89



- 1. Base
- 2. Collector
- 3. Emitter

DIM	DIMENSINS				NOTES
	INCHES		MM		
	MIN	MAX	MIN	MAX	
A	.173	.181	4.39	4.60	
B	.061	-----	1.55	-----	REF.
C	.154	.165	3.91	4.25	
D	.031	.039	0.80	1.00	
E	.092	.100	2.34	2.54	
F	.118	-----	3.00	-----	TYP
G	.013	.019	0.33	0.48	
H	.015	.021	0.38	0.53	
J	.015	.016	0.38	0.41	
K	.055	.063	1.40	1.60	

Features

- Complements to 2SB1132
- Low collector-to-emitter saturation voltage.
- Fast switching speed.
- Epoxy meets UL 94 V-0 flammability rating
- Moisture Sensitivity Level 1
- Lead Free Finish/Rohs Compliant ("P" Suffix designates RoHS Compliant. See ordering information)

Maximum Ratings

Symbol	Rating	Rating	Unit
V _{CEO}	Collector-Emitter Voltage	32	V
V _{CBO}	Collector-Base Voltage	40	V
V _{EBO}	Emitter-Base Voltage	5.0	V
I _c	Collector Current	1.0	A
P _C	Collector dissipation	500	mW
T _J	Junction Temperature	-55 to +150	°C
T _{STG}	Storage Temperature	-55 to +150	°C

Electrical Characteristics @ 25°C Unless Otherwise Specified

Symbol	Parameter	Min	Typ	Max	Units
--------	-----------	-----	-----	-----	-------

OFF CHARACTERISTICS

V _{(BR)CBO}	Collector-Base Breakdown Voltage (I _c =50uAdc, I _E =0)	40	---	---	Vdc
V _{(BR)CEO}	Collector-Emitter Breakdown Voltage (I _c =1.0mAdc)	32	---	---	Vdc
V _{(BR)EBO}	Collector-Emitter Breakdown Voltage (I _E =50uAdc, I _c =0)	5.0	---	---	Vdc
I _{CBO}	Collector Cutoff Current (V _{CB} =20Vdc, I _E =0)	---	---	0.5	uAdc
I _{EBO}	Emitter Cutoff Current (V _{EB} =4.0Vdc, I _c =0)	---	---	0.5	mAdc

ON CHARACTERISTICS

h _{FE-1}	DC Current Gain (I _c =100mAdc, V _{CE} =3.0Vdc)	82	---	390	---
V _{CE(sat)}	Collector-Emitter Saturation Voltage (I _c =0.5Adc, I _B =50mAdc)			0.4	Vdc
f _T	Gain-Bandwidth product (V _{CE} =5V, I _c =50mA, f=100MHz)	---	150	---	MHz
Cob	Out Capacitance (V _{CB} =10V, f=1.0MHz, I _E =0)	---	15	---	pF

h_{FE(1)} CLASSIFICATION

Rank	P	Q	R
Range	82-180	120-270	180-390
Marking	DAP	DAQ	DAR



Micro Commercial Components

Ordering Information :

Device	Packing
Part Number-TP	Tape&Reel; 1Kpcs/Reel

*****IMPORTANT NOTICE*****

Micro Commercial Components Corp. reserves the right to make changes without further notice to any product herein to make corrections, modifications, enhancements, improvements, or other changes. **Micro Commercial Components Corp.** does not assume any liability arising out of the application or use of any product described herein; neither does it convey any license under its patent rights, nor the rights of others. The user of products in such applications shall assume all risks of such use and will agree to hold **Micro Commercial Components Corp.** and all the companies whose products are represented on our website, harmless against all damages.

*****LIFE SUPPORT*****

MCC's products are not authorized for use as critical components in life support devices or systems without the express written approval of Micro Commercial Components Corporation.

*****CUSTOMER AWARENESS*****

Counterfeiting of semiconductor parts is a growing problem in the industry. Micro Commercial Components (MCC) is taking strong measures to protect ourselves and our customers from the proliferation of counterfeit parts. MCC strongly encourages customers to purchase MCC parts either directly from MCC or from Authorized MCC Distributors who are listed by country on our web page cited below. Products customers buy either from MCC directly or from Authorized MCC Distributors are genuine parts, have full traceability, meet MCC's quality standards for handling and storage. **MCC will not provide any warranty coverage or other assistance for parts bought from Unauthorized Sources.** MCC is committed to combat this global problem and encourage our customers to do their part in stopping this practice by buying direct or from authorized distributors.