

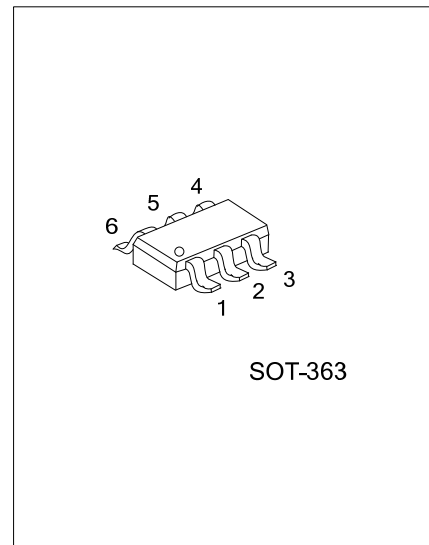


MMDT5401

Preliminary

DUAL TRANSISTOR

HIGH VOLTAGE SWITCHING TRANSISTOR



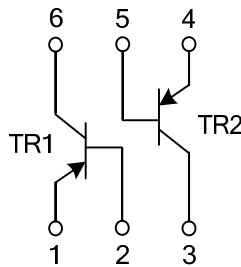
■ DESCRIPTION

The UTC **5401** is a high voltage fast-switching dual PNP transistor. It is characterized with high breakdown voltage, high current gain and high switching speed.

■ FEATURES

- * High Collector-Emitter Voltage: $V_{CE0}=-150V$
- * High current gain

■ EQUIVALENT CIRCUIT

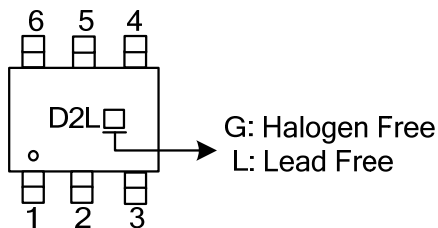


■ ORDERING INFORMATION

Ordering Number		Package							Packing
Lead Free	Halogen Free		1	2	3	4	5	6	
MMDT5401L-AL6-R	MMDT5401G-AL6-R	SOT-363	E1	B1	C2	E2	B2	C1	Tape Reel

<p>MMDT5401L-AL6-R</p> <ul style="list-style-type: none"> (1)Packing Type (2)Package Type (3)Lead Free 	<ul style="list-style-type: none"> (1) R: Tape Reel (2) AL6: SOT-363 (3) G:Halogen Free, L: Lead Free
---	--

■ MARKING



■ ABSOLUTE MAXIMUM RATINGS ($T_A=25^\circ\text{C}$ unless otherwise specified)

PARAMETER	SYMBOL	RATINGS	UNIT
Collector -Base Voltage	V_{CBO}	-160	V
Collector -Emitter Voltage	V_{CEO}	-150	V
Emitter -Base Voltage	V_{EBO}	-5	V
DC Collector Current	I_C	-600	mA
Power Dissipation	P_D	200	mW
Junction Temperature	T_J	+150	$^\circ\text{C}$
Storage Temperature	T_{STG}	-40 ~ +150	$^\circ\text{C}$

Note Absolute maximum ratings are those values beyond which the device could be permanently damaged. Absolute maximum ratings are stress ratings only and functional device operation is not implied.

■ ELECTRICAL CHARACTERISTICS ($T_A=25^\circ\text{C}$, unless otherwise specified)

PARAMETER	SYMBOL	TEST CONDITIONS	MIN	TYP	MAX	UNIT
Collector-Base Breakdown Voltage	V_{CBO}	$I_C=-100\mu\text{A}, I_E=0$	-160			V
Collector-Emitter Breakdown Voltage	V_{CEO}	$I_C=-1\text{mA}, I_B=0$	-150			V
Emitter-Base Breakdown Voltage	V_{EBO}	$I_E=-10\mu\text{A}, I_C=0$	-5			V
Collector Cut-off Current	I_{CBO}	$V_{CB}=-120\text{V}, I_E=0$			-50	nA
Emitter Cut-off Current	I_{EBO}	$V_{BE}=-3\text{V}, I_C=0$			-50	nA
DC Current Gain(note)	h_{FE}	$V_{CE}=-5\text{V}, I_C=-1\text{mA}$	80			
		$V_{CE}=-5\text{V}, I_C=-10\text{mA}$	80	160	400	
		$V_{CE}=-5\text{V}, I_C=-50\text{mA}$	80			
Collector-Emitter Saturation Voltage	$V_{CE(SAT)}$	$I_C=-10\text{mA}, I_B=-1\text{mA}$			-0.2	V
		$I_C=-50\text{mA}, I_B=-5\text{mA}$			-0.5	
Base-Emitter Saturation Voltage	$V_{BE(SAT)}$	$I_C=-10\text{mA}, I_B=-1\text{mA}$			-1	V
		$I_C=-50\text{mA}, I_B=-5\text{mA}$			-1	
Current Gain Bandwidth Product	f_T	$V_{CE}=-10\text{V}, I_C=-10\text{mA}, f=100\text{MHz}$	100		300	MHz
Output Capacitance	C_{ob}	$V_{CB}=-10\text{V}, I_E=0, f=1\text{MHz}$			6.0	pF
Noise Figure	NF	$I_C=-0.25\text{mA}, V_{CE}=-5\text{V}$ $R_S=1\text{k}\Omega, f=10\text{Hz} \sim 15.7\text{kHz}$			8	dB

Note: Pulse test: $PW < 300\mu\text{s}$, Duty Cycle $< 2\%$

UTC assumes no responsibility for equipment failures that result from using products at values that exceed, even momentarily, rated values (such as maximum ratings, operating condition ranges, or other parameters) listed in products specifications of any and all UTC products described or contained herein. UTC products are not designed for use in life support appliances, devices or systems where malfunction of these products can be reasonably expected to result in personal injury. Reproduction in whole or in part is prohibited without the prior written consent of the copyright owner. The information presented in this document does not form part of any quotation or contract, is believed to be accurate and reliable and may be changed without notice.