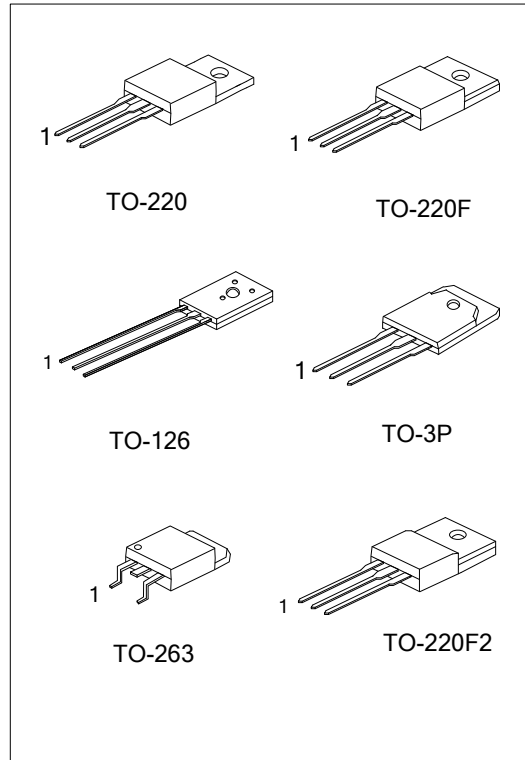




SWITCHING REGULATOR APPLICATIONS

FEATURES

- * High Speed.
- * High Breakdown Voltage ($V_{CBO}=1500V$).
- * High Reliability.



ORDERING INFORMATION

Ordering Number		Package	Pin Description			Packing
Lead Free	Halogen Free		1	2	3	
C6084L-x-T60-K	C6084G-T60-x-K	TO-126	B	C	E	Bulk
C6084L-x-T3P-T	C6084G-T3P-x-T	TO-3P	B	C	E	Tube
C6084L-x-TQ2-R	C6084G-TQ2-x-R	TO-263	B	C	E	Tape Reel
C6084L-x-TQ2-T	C6084G-TQ2-x-T	TO-263	B	C	E	Tube
C6084L-x-TA3 -T	C6084G-TA3-x-T	TO-220	B	C	E	Tube
C6084L-x-TF3 -T	C6084G-TF3-x-T	TO-220F	B	C	E	Tube
C6084L-x-TF2-T	C6084G-x-TF2-T	TO-220F2	B	C	E	Tube

<p>C6084L-x-TA3-T</p>	<p>(1) T: Tube, K: Bulk, R: Tape Reel (2) T60: TO-126, T3P: TO-3P, TQ2: TO-263 TA3: TO-220, TF3: TO-220F, TF2: TO-220F2 (3) x: refer to Classification of h_{FE1} (4) G: Halogen Free, L: Lead Free</p>
-----------------------	--

■ ABSOLUTE MAXIMUM RATING ($T_A=25^\circ\text{C}$)

PARAMETER		SYMBOL	RATINGS	UNIT
Collector-Base Voltage	TO-220/TO-220F/TO-3P/ TO-263	V_{CBO}	1.5	KV
	TO-126		1.4	
Collector-Emitter Voltage		V_{CEO}	800	V
Emitter-Base Voltage		V_{EBO}	5	V
Collector Current	TO-3P/TO-263	I_C	5	A
	TO-220/TO-220F/TO-220F2			
	TO-126		3	
	TO-3P/TO-263	I_{CP}	12	A
TO-220/TO-220F/TO-220F2				
	TO-126		6	
Collector Dissipation	TO-126	P_C	1.25	W
	TO-3P		3.125	
	TO-220/ TO-263		1.75	
	TO-220F		1.35	
	TO-220F2		1.45	
Junction Temperature		T_J	150	$^\circ\text{C}$
Storage Temperature		T_{STG}	-55 ~ +150	$^\circ\text{C}$

Note: Absolute maximum ratings are those values beyond which the device could be permanently damaged.

Absolute maximum ratings are stress ratings only and functional device operation is not implied.

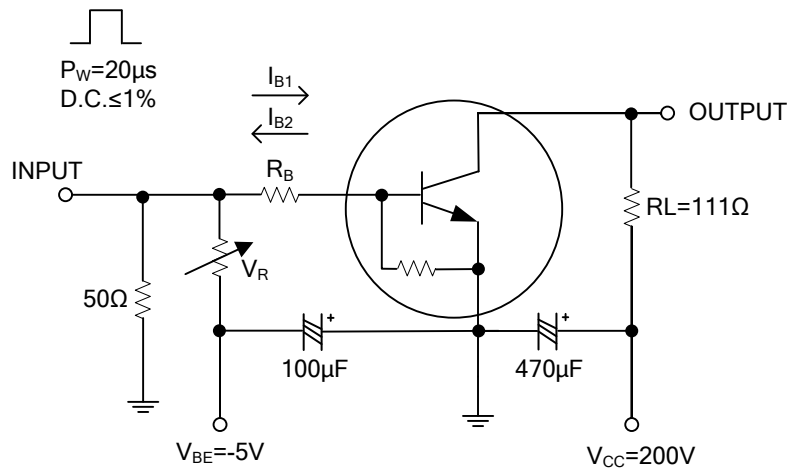
■ ELECTRICAL CHARACTERISTICS ($T_A=25^\circ\text{C}$)

PARAMETER	SYMBOL	TEST CONDITIONS	MIN	TYP	MAX	UNIT
Collector Cutoff Current	I_{CBO}	$V_{CB}=800\text{V}, I_E=0\text{A}$			10	μA
Collector Cutoff Current	I_{CES}	$V_{CE}=1500\text{V}, R_{BE}=0\Omega$			1.0	mA
Collector Sustain Voltage	$V_{CEO(SUS)}$	$I_C=10\text{mA}, I_B=0\text{A}$	800			V
Emitter Cutoff Current	I_{EBO}	$V_{BE}=4\text{V}, I_C=0\text{A}$			1.0	mA
Collector-Emitter Saturation Voltage	$V_{CE(SAT)}$	$I_C=2.7\text{A}, I_B=0.54\text{A}$			3	V
		$I_C=1.4\text{A}, I_B=0.27\text{A}$			3	
Base-Emitter Saturation Voltage	$V_{BE(SAT)}$	$I_C=2.7\text{A}, I_B=0.54\text{A}$			1.5	V
		$I_C=1.4\text{A}, I_B=0.27\text{A}$			1.5	
DC Current Gain	h_{FE1}	$V_{CE}=5\text{V}, I_C=0.5\text{A}$	10		25	
	h_{FE2}	$V_{CE}=5\text{V}, I_C=3\text{A}$	5		8	
		$V_{CE}=5\text{V}, I_C=1.8\text{A}$	5		8	
Fall Time	T_F	$I_C=1.8\text{A}, I_{B1}=0.36\text{A}, I_{B2}=-0.72\text{A}$			0.2	μS

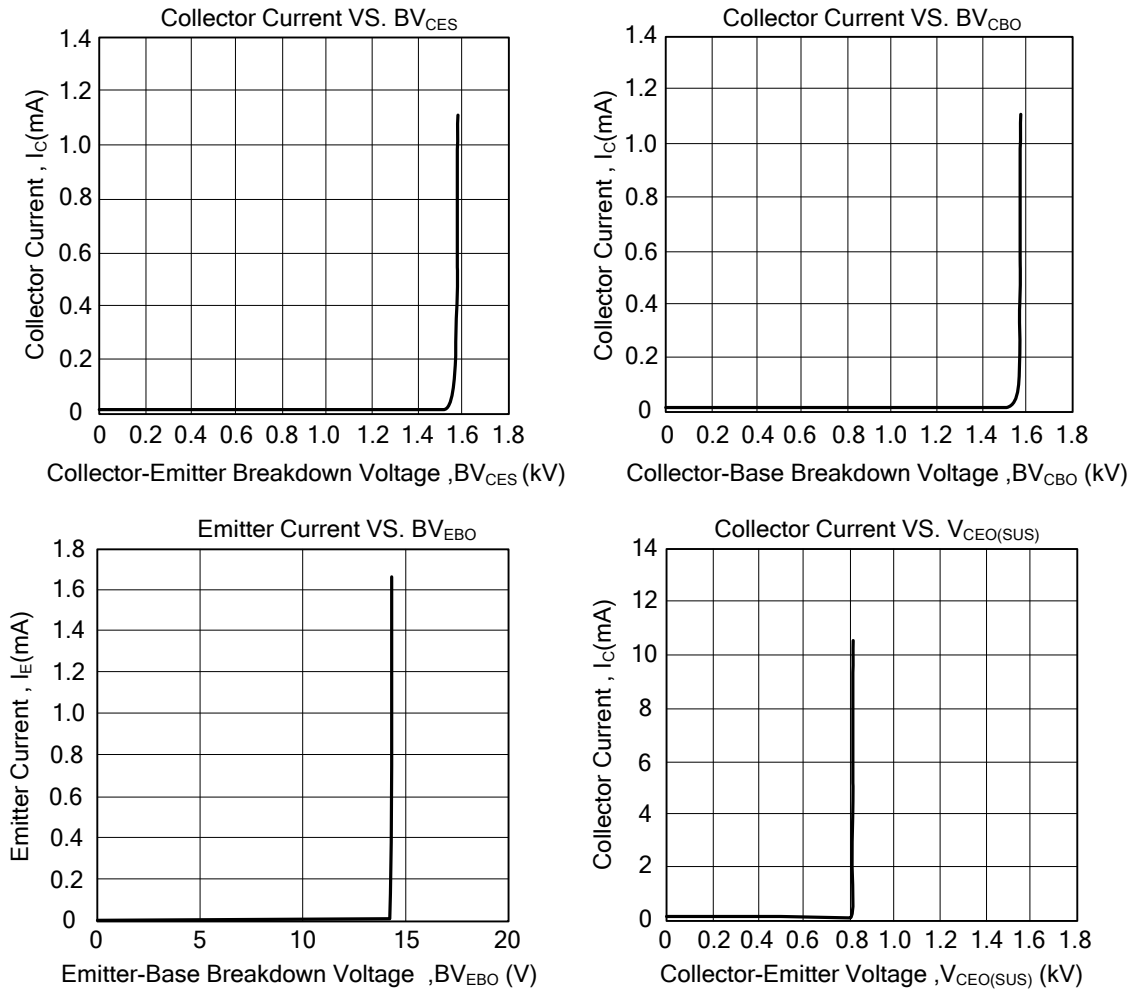
■ CLASSIFICATION OF h_{FE1}

RANK	A	B	C
RANGE	10 ~ 15	15 ~ 20	20 ~ 25

■ TEST CIRCUIT



■ TYPICAL CHARACTERISTICS



UTC assumes no responsibility for equipment failures that result from using products at values that exceed, even momentarily, rated values (such as maximum ratings, operating condition ranges, or other parameters) listed in products specifications of any and all UTC products described or contained herein. UTC products are not designed for use in life support appliances, devices or systems where malfunction of these products can be reasonably expected to result in personal injury. Reproduction in whole or in part is prohibited without the prior written consent of the copyright owner. The information presented in this document does not form part of any quotation or contract, is believed to be accurate and reliable and may be changed without notice.