



MMBTA94

PNP SILICON TRANSISTOR

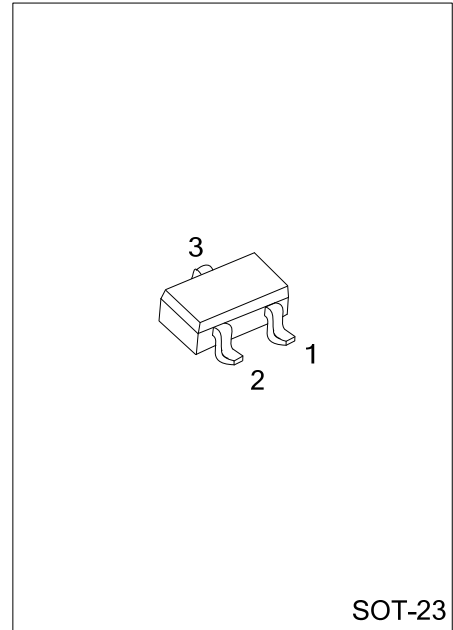
HIGH VOLTAGE TRANSISTOR

FEATURES

- * Collector-Emitter Voltage: $V_{CE0}=-400V$
- * Collector Dissipation: $P_{C(MAX)}=350mW$
- * Low Collector-Emitter Saturation Voltage

APPLICATIONS

- * Telephone Switching
- * High Voltage Switch



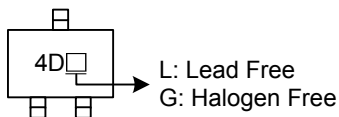
Lead-free: MMBTA94L
 Halogen-free: MMBTA94G

ORDERING INFORMATION

Ordering Number			Package	Pin Assignment			Packing
Normal	Lead Free	Halogen Free		1	2	3	
MMBTA94-AE3-R	MMBTA94L-AE3-R	MMBTA94G-AE3-R	SOT-23	E	B	C	Tape Reel

<p>MMBTA94L-AE3-R</p> <p>(1) Packing Type</p> <p>(2) Package Type</p> <p>(3) Lead Plating</p>	<p>(1) R: Tape Reel</p> <p>(2) AE3: SOT-23</p> <p>(3) G: Halogen Free, L: Lead Free, Blank: Pb/Sn</p>
---	---

MARKING



MMBTA94

PNP SILICON TRANSISTOR

■ ABSOLUTE MAXIMUM RATING (Ta=25°C unless otherwise specified)

PARAMETER	SYMBOL	RATING	UNIT
Collector-Base Voltage	V _{CBO}	-400	V
Collector-Emitter Voltage	V _{CEO}	-400	V
Emitter-Base Voltage	V _{EBO}	-6	V
Collector Current	I _C	-300	mA
Collector Dissipation (Ta=25°C)	P _C	350	mW
Junction Temperature	T _J	+150	°C
Storage Temperature	T _{STG}	-40~+150	°C

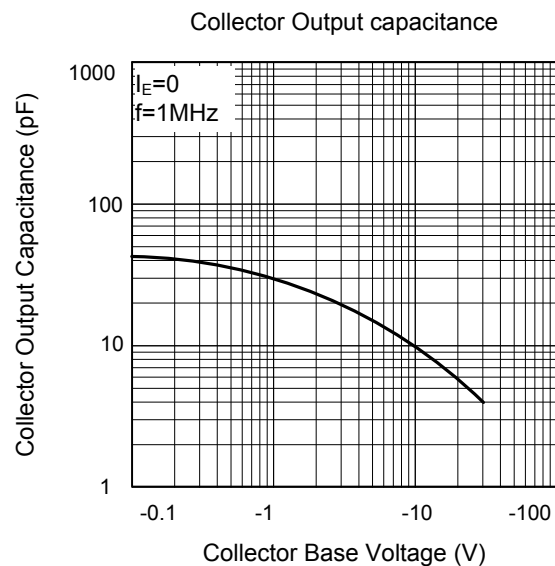
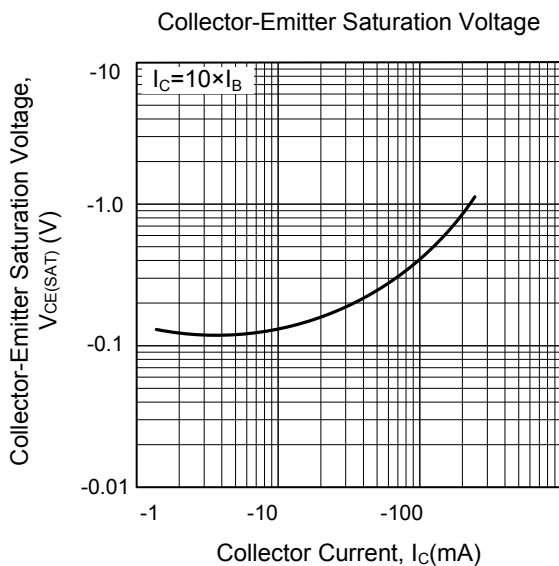
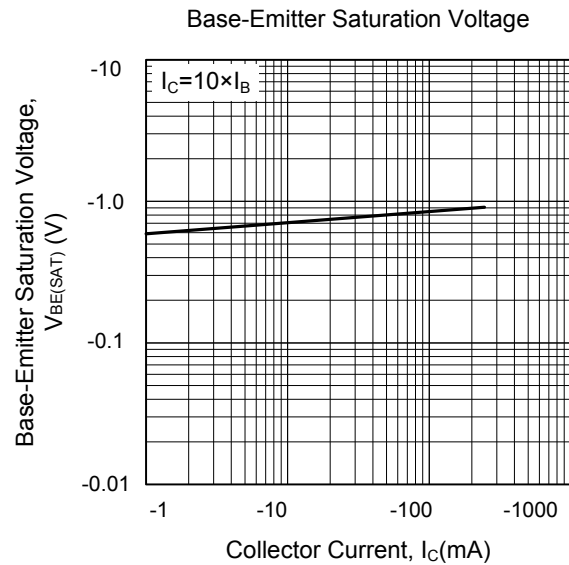
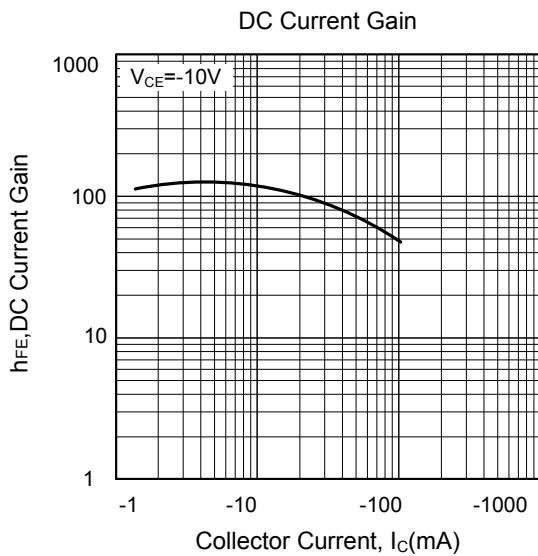
Note: Absolute maximum ratings are those values beyond which the device could be permanently damaged. Absolute maximum ratings are stress ratings only and functional device operation is not implied.

■ ELECTRICAL CHARACTERISTICS (Ta=25°C, unless otherwise specified)

PARAMETER	SYMBOL	TEST CONDITIONS	MIN	TYP	MAX	UNIT
Collector-Base Breakdown Voltage	BV _{CBO}	I _C = -100μA, I _E = 0	-400			V
Collector-Emitter Breakdown Voltage	BV _{CEO}	I _C = -1mA, I _B = 0	-400			V
Collector-Emitter Breakdown Voltage	BV _{CES}	I _C = -100μA, V _{BE} = 0	-400			V
Emitter-Base Breakdown Voltage	BV _{EBO}	I _E = -100μA, I _C = 0	-5			V
Collector Cut-off Current	I _{CBO}	V _{CB} = -300V, I _E = 0			-100	nA
Collector Cut-off Current	I _{CES}	V _{CB} = -400V, V _{BE} = 0			-1	μA
Emitter Cut-off Current	I _{EBO}	V _{EB} = -4V, I _C = 0			100	nA
DC Current Gain (Note)	h _{FE}	V _{CE} = -10V, I _C = -1mA	60			
		V _{CE} = -10V, I _C = -10mA	70		300	
		V _{CE} = -10V, I _C = -50mA	70			
		V _{CE} = -10V, I _C = -100mA	40			
Collector-Emitter Saturation Voltage	V _{CE(SAT)}	I _C = -10mA, I _B = -1mA			-0.20	V
		I _C = -50mA, I _B = -5mA			-0.5	V
Base-Emitter Saturation Voltage	V _{BE(SAT)}	I _C = -10mA, I _B = -1mA			-0.75	V
Output Capacitance	C _{ob}	V _{CB} = -20V, I _E = 0, f = 1MHz			7	pF

Note: Pulse test: PW < 300μs, Duty Cycle < 2%

■ TYPICAL CHARACTERISTICS



UTC assumes no responsibility for equipment failures that result from using products at values that exceed, even momentarily, rated values (such as maximum ratings, operating condition ranges, or other parameters) listed in products specifications of any and all UTC products described or contained herein. UTC products are not designed for use in life support appliances, devices or systems where malfunction of these products can be reasonably expected to result in personal injury. Reproduction in whole or in part is prohibited without the prior written consent of the copyright owner. The information presented in this document does not form part of any quotation or contract, is believed to be accurate and reliable and may be changed without notice.