



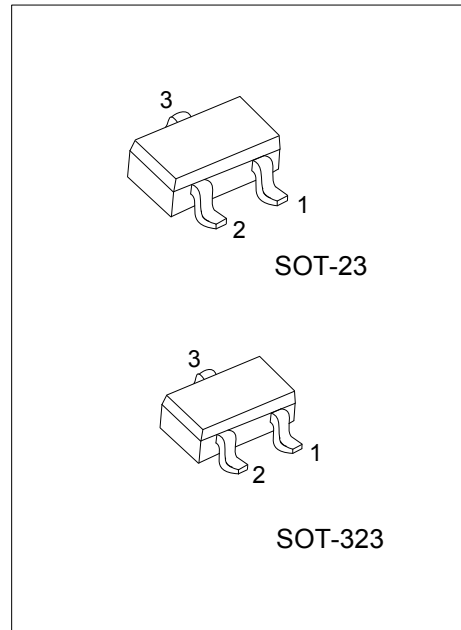
2SC3838

NPN SILICON TRANSISTOR

HIGH-FREQUENCY AMPLIFIER TRANSISTOR

FEATURES

- *High transition frequency.
- *Small r_{bb} ·Cc and high gain.
- *Small NF.

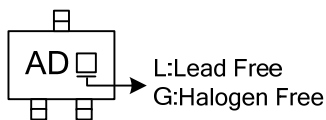


ORDERING INFORMATION

| Ordering Number | | Package | Pin Assignment | | | Packing |
|------------------|------------------|---------|----------------|---|---|-----------|
| Lead Free | Halogen Free | | 1 | 2 | 3 | |
| 2SC3838L-x-AE3-R | 2SC3838G-x-AE3-R | SOT-23 | E | B | C | Tape Reel |
| 2SC3838L-x-AL3-R | 2SC3838G-x-AL3-R | SOT-323 | E | B | C | Tape Reel |

| | |
|---|--|
| <p>2SC3838L-x-AE3-R</p> <p>(1)Packing Type (2)Package Type (3)Rank (4)Lead Free</p> | <p>(1) R: Tape Reel (2) AE3: SOT-23, AL3: SOT-323 (3) x: refer to Classification of h_{FE} (4) L: Lead Free , G: Halogen Free</p> |
|---|--|

MARKING



■ ABSOLUTE MAXIMUM RATINGS (Ta = 25°C)

| PARAMETER | SYMBOL | RATINGS | UNIT |
|-----------------------------|------------------|------------|------|
| Collector-Base Voltage | V _{CBO} | 20 | V |
| Collector-Emitter Voltage | V _{CEO} | 11 | V |
| Emitter-Base Voltage | V _{EBO} | 3 | V |
| Collector current | I _C | 50 | mA |
| Collector power dissipation | P _D | 0.2 | W |
| Junction Temperature | T _J | +150 | °C |
| Storage Temperature | T _{STG} | -55 ~ +150 | °C |

Note Absolute maximum ratings are those values beyond which the device could be permanently damaged.
 Absolute maximum ratings are stress ratings only and functional device operation is not implied.

■ ELECTRICAL CHARACTERISTICS (Ta= 25°C, unless otherwise specified.)

| PARAMETER | SYMBOL | TEST CONDITIONS | MIN | TYP | MAX | UNIT |
|--------------------------------------|----------------------------------|---|-----|-----|-----|------|
| Collector-base breakdown voltage | BV _{CBO} | I _C =10μA | 20 | | | V |
| Collector-emitter breakdown voltage | BV _{CEO} | I _C =1mA | 11 | | | V |
| Emitter-base breakdown voltage | BV _{EBO} | I _E =10μA | 3 | | | V |
| Collector cutoff current | I _{CBO} | V _{CB} =10V | | | 0.5 | μA |
| Emitter cutoff current | I _{EBO} | V _{EB} =2V | | | 0.5 | μA |
| Collector-emitter saturation voltage | V _{CE(SAT)} | I _C =10mA, I _B = 5mA | | | 0.5 | V |
| DC current transfer ratio | h _{FE} | V _{CE} =10V, I _C =5mA | 56 | | 400 | |
| Transition frequency | f _T | V _{CE} =10V, I _E =10mA, f=500MHz | 1.4 | 3.2 | | GHz |
| Output capacitance | C _{ob} | V _{CB} =10V, I _E =0A, f=1MHz | | 0.8 | 1.5 | pF |
| Collector-base time constant | r _{bb'} ·C _C | V _{CB} =10V, I _C =10mA, f=31.8MHz | | 4 | 12 | ps |
| Noise factor | NF | V _{CE} =6V, I _C =2mA, f=500MHz, R _g =50Ω | | 3.5 | | dB |

■ CLASSIFICATION of h_{FE}

| RANK | A | B | C | D |
|-------|----------|-----------|-----------|-----------|
| RANGE | 56 ~ 110 | 100 ~ 170 | 120 ~ 270 | 250 ~ 400 |

UTC assumes no responsibility for equipment failures that result from using products at values that exceed, even momentarily, rated values (such as maximum ratings, operating condition ranges, or other parameters) listed in products specifications of any and all UTC products described or contained herein. UTC products are not designed for use in life support appliances, devices or systems where malfunction of these products can be reasonably expected to result in personal injury. Reproduction in whole or in part is prohibited without the prior written consent of the copyright owner. The information presented in this document does not form part of any quotation or contract, is believed to be accurate and reliable and may be changed without notice.