

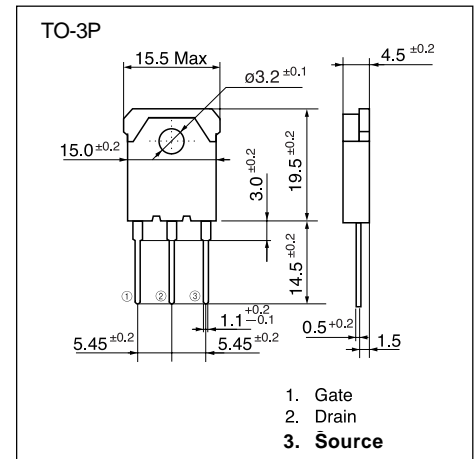
## N-CHANNEL SILICON POWER MOS-FET

### ■ Features

- High speed switching
- Low on-resistance
- No secondary breakdown
- Low driving power
- Avalanche-proof

### ■ Applications

- Switching regulators
- UPS (Uninterruptible Power Supply)
- DC-DC converters



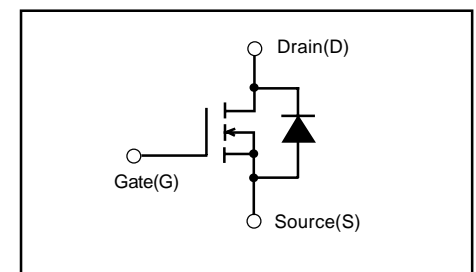
### ■ Maximum ratings and characteristic Absolute maximum ratings

● (T<sub>c</sub>=25°C unless otherwise specified)

Item	Symbol	Rating	Unit
Drain-source voltage	V <sub>DS</sub>	60	V
Continuous drain current	I <sub>D</sub>	±100	A
Pulsed drain current	I <sub>D(puls)</sub>	±400	A
Gate-source voltage	V <sub>GS</sub>	±30	V
Maximum Avalanche Energy	E <sub>AV</sub> *1	1268.3	mJ
Max. power dissipation	P <sub>D</sub>	150	W
Operating and storage temperature range	T <sub>ch</sub> T <sub>stg</sub>	+150 -55 to +150	°C

\*1 L=0.169mH, V<sub>cc</sub>=24V

### ■ Equivalent circuit schematic



### ● Electrical characteristics (T<sub>c</sub> =25°C unless otherwise specified)

Item	Symbol	Test Conditions	Min.	Typ.	Max.	Units	
Drain-source breakdown voltage	BV <sub>DSS</sub>	I <sub>D</sub> =1mA V <sub>GS</sub> =0V	60			V	
Gate threshold voltage	V <sub>GS(th)</sub>	I <sub>D</sub> =10mA V <sub>DS</sub> =V <sub>GS</sub>	2.5	3.0	3.5	V	
Zero gate voltage drain current	I <sub>DSS</sub>	V <sub>DS</sub> =60V V <sub>GS</sub> =0V	T <sub>ch</sub> =25°C		10	500	μA
			T <sub>ch</sub> =125°C		0.2	1.0	mA
Gate-source leakage current	I <sub>GSS</sub>	V <sub>GS</sub> =±30V V <sub>DS</sub> =0V		10	100	nA	
Drain-source on-state resistance	R <sub>DS(on)</sub>	I <sub>D</sub> =50A V <sub>GS</sub> =10V		5.7	7.8	mΩ	
Forward transconductance	g <sub>fs</sub>	I <sub>D</sub> =50A V <sub>DS</sub> =25V	25	55		S	
Input capacitance	C <sub>iss</sub>	V <sub>DS</sub> =25V		5400	8100	pF	
Output capacitance	C <sub>oss</sub>	V <sub>GS</sub> =0V		2100	3150	pF	
Reverse transfer capacitance	C <sub>rss</sub>	f=1MHz		550	830	pF	
Turn-on time t <sub>on</sub>	td(on)	V <sub>CC</sub> =30V I <sub>D</sub> =100A V <sub>GS</sub> =10V		29	50	ns	
	t <sub>r</sub>			200	350		
Turn-off time t <sub>off</sub>	td(off)	R <sub>GS</sub> =10 Ω		160	240	ns	
	t <sub>f</sub>			150	230		
Avalanche capability	I <sub>AV</sub>	L=100 μH T <sub>ch</sub> =25°C	100			A	
Diode forward on-voltage	V <sub>SD</sub>	I <sub>F</sub> =100A V <sub>GS</sub> =0V T <sub>ch</sub> =25°C		1.0	1.5	V	
Reverse recovery time	t <sub>rr</sub>	I <sub>F</sub> =50A V <sub>GS</sub> =0V		85		ns	
Reverse recovery charge	Q <sub>rr</sub>	-di/dt=100A/μs T <sub>ch</sub> =25°C		0.21		μC	

### ● Thermal characteristics

Item	Symbol	Test Conditions	Min.	Typ.	Max.	Units
Thermal resistance	R <sub>th(ch-c)</sub>	channel to case			0.83	°C/W
	R <sub>th(ch-a)</sub>	channel to ambient			35.0	°C/W

Characteristics

