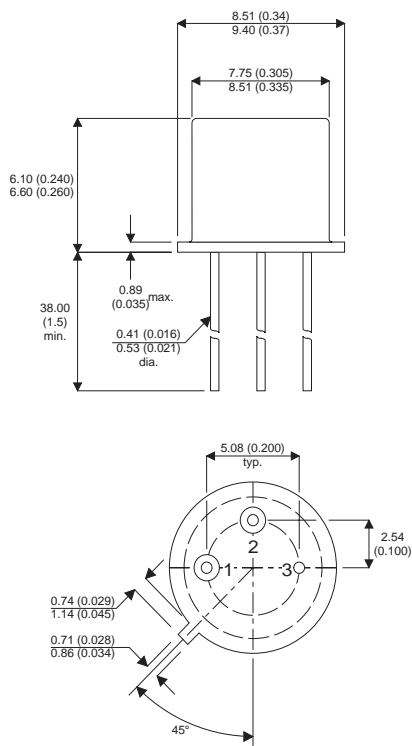


MECHANICAL DATA

Dimensions in mm (inches)



TO-5 (TO-205AA)

Underside View

1 = Emitter 2 = Base 3 = Collector

NPN BIPOLAR POWER SWITCHING TRANSISTORS

FEATURES

- FAST SWITCHING
- CECC SCREENING OPTIONS
- SPACE QUALITY LEVELS OPTIONS
- JAN LEVEL SCREENING OPTIONS

APPLICATIONS

- HIGH SPEED SWITCHING CIRCUITS
- POWER AMPLIFIERS

ABSOLUTE MAXIMUM RATINGS ($T_C = 25^\circ\text{C}$ unless otherwise stated)

		2N5662	2N5663
V_{CBO}	Collector – Base Voltage	250V	400V
V_{CEO}	Collector – Emitter Voltage ($I_B = 0$)	200V	300V
V_{EBO}	Emitter – Base Voltage ($I_C = 0$)	6V	
I_B	Base Current	0.5A	
I_C	Collector Current	2.0A	
P_D	Power Dissipation @ $T_C = 25^\circ\text{C}$	35W	26W
P_D	Power Dissipation @ $T_A = 25^\circ\text{C}$	2.0W	1.0W
$R_{\theta JC}$	Thermal Resistance Junction to Case	5.0°C/W	6.67°C/W
$R_{\theta JA}$	Thermal Resistance Junction to Ambient	87.5°C/W	175.4°C/W
T_J, T_{STG}	Operating and Storage Junction Temperature Range	-65 to +200°C	

Semelab Plc reserves the right to change test conditions, parameter limits and package dimensions without notice. Information furnished by Semelab is believed to be both accurate and reliable at the time of going to press. However Semelab assumes no responsibility for any errors or omissions discovered in its use. Semelab encourages customers to verify that datasheets are current before placing orders.

ELECTRICAL CHARACTERISTICS - 2N5666 ($T_A = 25^\circ\text{C}$ unless otherwise stated)

Parameter			Test Conditions		Min.	Typ.	Max.	Unit	
$V_{(BR)CEO}^*$	Collector – Emitter	2N5662	$I_C = 10\text{mA}$		200			V	
	Breakdown Voltage	2N5663			300				
$V_{(BR)EBO}$	Emitter – Base Breakdown Voltage		$I_E = 10\mu\text{A}$		6.0				
I_{CES}	Collector – Emitter Cut-off Current ($I_B = 0$)		$V_{CE}^1 = 200\text{V}$	$V_{CE}^2 = 300\text{V}$			0.2	μA	
I_{CBO}	Collector – Base Cut-off Current		$V_{CB}^1 = 200\text{V}$	$V_{CB}^2 = 300\text{V}$			0.1	μA	
			$V_{CB}^1 = 250\text{V}$	$V_{CB}^2 = 400\text{V}$			1.0	mA	
$V_{CE(sat)}^*$	Collector – Emitter Saturation Voltage		$I_C = 1.0\text{A}$	$I_B = 0.1\text{A}$			0.4	V	
			$I_C = 2.0\text{A}$	$I_B = 0.4\text{A}$			0.8		
$V_{BE(sat)}^*$	Base – Emitter On Voltage		$I_C = 1.0\text{A}$	$I_B = 0.1\text{A}$			1.2		
			$I_C = 2.0\text{A}$	$I_B = 0.4\text{A}$			1.5		
h_{FE}^*	DC Current Gain		2N5662	$I_C = 50\text{mA}$	$V_{CE} = 2\text{V}$	40		—	
			2N5663	$I_C = 50\text{mA}$	$V_{CE} = 2\text{V}$	25			
			2N5662	$I_C = 0.5\text{A}$	$V_{CE} = 5\text{V}$	40	120		
			2N5663	$I_C = 0.5\text{A}$	$V_{CE} = 5\text{V}$	25	75		
			Both	$I_C = 1.0\text{A}$	$V_{CE} = 5\text{V}$	15			
			Both	$I_C = 2.0\text{A}$	$V_{CE} = 5\text{V}$	5.0			
C_{obo}	Output Capacitance		$V_{CB} = 10\text{V}$	$I_E = 0\text{A}$			45	pF	
			$100\text{kHz} < f < 1\text{MHz}$						
$[h_{fe}]$	Small Signal Current Gain		$f = 10\text{MHz}$				2.0	7.0	—
			$I_C = 0.1\text{A}$	$V_{CE} = 5\text{V}$					
t_{on}	Turn on time		$I_{B1}^1 = 15\text{mA}$	$I_{B1}^2 = 25\text{mA}$			0.25		
			$I_C = 0.5\text{A}$	$V_{CC} = 100\text{V}$					
t_{off}	Turn off time		2N5662	$I_{B1}^1 = -I_{B2} = 15\text{mA}$				0.85	μs
	2N5663	$I_{B1}^2 = -I_{B2} = 25\text{mA}$					1.2		
			$I_C = 0.5\text{A}$	$V_{CC} = 100\text{V}$					

NOTES

* Pulse Test: $t_p = 300\mu\text{s}$, $\delta \leq 2\%$

1) Value for the 2N5662

2) Value for the 2N5663