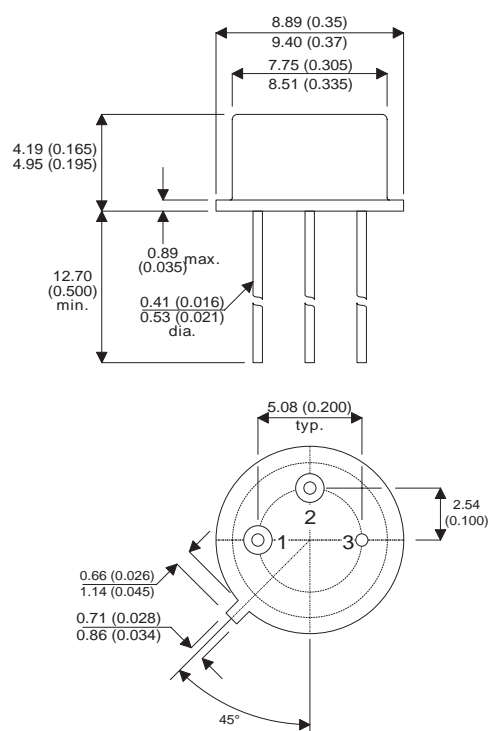


## MECHANICAL DATA

Dimensions in mm



### TO-5

Pin1 - Emitter

Pin2 - Base

Pin3 - Collector

## SMALL SIGNAL PNP TRANSISTORS IN TO-5

### APPLICATIONS

Small signal PNP transistors for relay switching resistor logic circuits and general purpose applications.

## ABSOLUTE MAXIMUM RATINGS ( $T_{case} = 25^{\circ}C$ unless otherwise stated)

|                |   | 2N5404           | 2N5405 | 2N5406 | 2N5407 |
|----------------|---|------------------|--------|--------|--------|
| $BV_{CBO}$     | Collector – Base Breakdown Voltage      | - 80V            | - 100V | - 80V  | - 100V |
| $BV_{CEO}$     | Collector – Emitter Breakdown Voltage   | - 80V            | - 100V | - 80V  | - 100V |
| $BV_{EBO}$     | Emitter – Base Breakdown Voltage        | - 6V             | -6V    | - 6V   | -6V    |
| $I_{C(Max)}$   | Collector Current                       | - 5A             | -5A    | - 5A   | -5A    |
| $I_{B(Max)}$   | Base Current                            | - 2A             | - 2A   | - 2A   | - 2A   |
| $P_{TOT}$      | Total Power Dissipation (100°C Case)    | 5W               | 5W     | 5W     | 5W     |
| $T_{STG}, T_J$ | Operating and Storage Temperature Range | - 65°C to +200°C |        |        |        |

Semelab Plc reserves the right to change test conditions, parameter limits and package dimensions without notice. Information furnished by Semelab is believed to be both accurate and reliable at the time of going to press. However Semelab assumes no responsibility for any errors or omissions discovered in its use. Semelab encourages customers to verify that datasheets are current before placing orders.

**ELECTRICAL CHARACTERISTICS** ( $T_{case} = 25^{\circ}C$  unless otherwise stated)

| Parameter  | Test Conditions  | Min.             | Typ. | Max.        | Unit    |
|--|--|------------------|------|-------------|---------|
| $I_{CEX}$ Collector Cut-Off Current  | $V_{CE} = BV_{CEO}$ $V_{BE} = 1.5V$<br>$V_{CE} = BV_{CEO}$ $V_{BE} = 1.5V$<br>$T_C = 150^{\circ}C$ |                  |      | -10<br>-500 | $\mu A$ |
| $V_{CEO(SUS)}$ Collector-Emitter Sustaining Voltage With Base Open   | $I_C = -100mA$ $I_B = 0$   | 2N5404<br>2N5406 | -80  |             | V       |
|  | $I_C = -100mA$ $I_B = 0$   | 2N5405<br>2N5407 | -100 |             |         |
| $I_{CEO}$ Collector Cut-Off Current  | $V_{CE} = -50V$ $I_C = 0$  |                  | -100 |             | $\mu A$ |
| $I_{EBO}$  | $V_{EB} = -4V$ $I_C = 0$   |                  |      | -1          | $\mu A$ |
| $h_{FE}$ Common Emitter, Small-Signal Value of the Short-Circuit Forward Current Transfer Ratio ( $f = 1KHz$ ) | $I_C = -2A$ $V_{CE} = -5V$   | 2N5404<br>2N5405 | 20   | 60          | -       |
|  | $I_C = -2A$ $V_{CE} = -5V$   | 2N5406<br>2N5407 | 40   | 120         |         |
| $V_{CE(SAT)}$ Collector-Emitter Saturation Voltage   | $I_C = -2A$ $I_B = -0.2A$  |                  |      | -0.6        | V       |
| $V_{BE(SAT)}$ Base-Emitter Saturation Voltage  | $I_C = -2A$ $I_B = -0.2A$  |                  |      | -1.2        | V       |
| <b>DYNAMIC CHARACTERISTICS</b>   |  |                  |      |             |         |
| $C_{OBO}$ Collector Base Capacitance   | $V_{CB} = -10V$ $f = 1MHz$   |                  |      | 150         | pf      |
| $f_t$ Transistion Frequency  | $V_{CE} = -5V$ $I_C = -0.2A$   |                  | 40   |             | MHz     |
| $t_r$ Rise Time  | $I_C = -2A$<br>$I_{B1} = -I_{B2} = 0.2A$   |                  |      | 0.5         | $\mu$   |
| $t_s$ Storage time   | $I_C = -2A$<br>$I_{B1} = -I_{B2} = 0.2A$   | 2N5404<br>2N5405 |      | 0.75        | $\mu$   |
|  | $I_C = -2A$<br>$I_{B1} = -I_{B2} = 2A$   | 2N5406<br>2N5407 |      | 1           |         |
| $t_f$ Fall Time  | $I_C = -2A$<br>$I_{B1} = -I_{B2} = 2A$   | 2N5404<br>2N5405 |      | 0.2         | $\mu$   |
|  | $I_C = -2A$<br>$I_{B1} = -I_{B2} = 2A$   | 2N5406<br>2N5407 |      | 0.3         |         |

\* Pulse test : Pulse Width < 300 $\mu s$  ,Duty Cycle < 2%