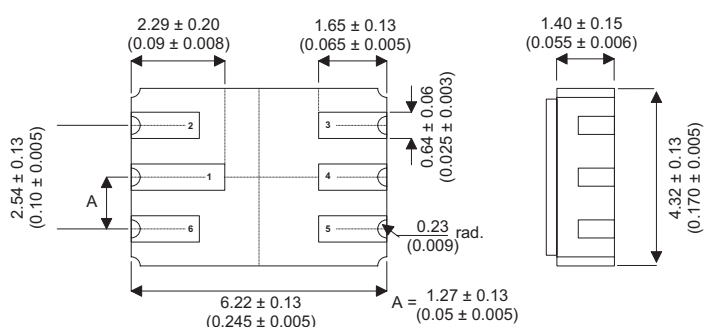


MECHANICAL DATA

Dimensions in mm (inches)



LCC2 PACKAGE
Underside View

- PAD 1 – Collector 1 PAD 4 – Collector 2
- PAD 2 – Base 1 PAD 5 – Emitter 2
- PAD 3 – Base 2 PAD 6 – Emitter 1

DUAL NPN PLANAR TRANSISTORS IN A HERMETICALLY SEALED CERAMIC SURFACE MOUNT PACKAGE FOR HIGH RELIABILITY APPLICATIONS

FEATURES

- Hermetic Ceramic Surface Mount Package
- CECC Screening Options
- Space Quality Levels Options

ABSOLUTE MAXIMUM RATINGS

(T_{amb} = 25°C unless otherwise stated)

		EACH SIDE	TOTAL DEVICE
V _{CBO}	Collector – Base Voltage	45V	
V _{CEO}	Collector – Emitter Voltage ¹	45V	
V _{EBO}	Emitter – Base Voltage	6V	
I _C	Continuous Collector Current	30	
P _D	Total Device Dissipation	T _{AMB} = 25°C	500mW
		Derate above 25°C	2.86W / °C
T _{STG}	Storage Temperature Range	-65 to 200°C	
T _L	Lead temperature (Soldering, 10 sec.)	300°C	

NOTES

1. Base – Emitter Diode Open Circuited.

Semelab Plc reserves the right to change test conditions, parameter limits and package dimensions without notice. Information furnished by Semelab is believed to be both accurate and reliable at the time of going to press. However Semelab assumes no responsibility for any errors or omissions discovered in its use. Semelab encourages customers to verify that datasheets are current before placing orders.

ELECTRICAL CHARACTERISTICS ($T_{amb} = 25^{\circ}\text{C}$ unless otherwise stated)

Parameter	Test Conditions ¹	Min.	Typ.	Max.	Unit
INDIVIDUAL TRANSISTOR CHARACTERISTICS					
$V_{(BR)CBO}$ Collector – Base Breakdown Voltage	$I_C = 10\text{mA}$ $I_E = 0$	45			V
$V_{(BR)CEO^*}$ Collector – Emitter Breakdown Voltage	$I_C = 10\text{mA}$ $I_B = 0$	45			
$V_{(BR)EBO}$ Emitter – Base Breakdown Voltage	$I_E = 10\text{mA}$ $I_C = 0$	6			
I_{CBO} Collector Cut-off Current	$V_{CB} = 45\text{V}$ $I_E = 0$ $T_A = 150^{\circ}\text{C}$			10	nA
				10	μA
I_{CEO} Collector Cut-off Current	$V_{CE} = 5\text{V}$ $I_B = 0$			2	nA
I_{EBO} Emitter Cut-off Current	$V_{EB} = 5\text{V}$ $I_C = 0$			2	
h_{FE} DC Current Gain	$V_{CE} = 5\text{V}$ $I_C = 10\text{mA}$ $T_A = -55^{\circ}\text{C}$	150		600	—
		30			
	$V_{CE} = 5\text{V}$ $I_C = 100\text{mA}$	225			
$V_{CE} = 5\text{V}$ $I_C = 1\text{mA}$	300				
V_{BE} Base – Emitter Voltage	$V_{CE} = 5\text{V}$ $I_C = 100\text{mA}$			0.70	V
$V_{CE(sat)}$ Collector – Emitter Saturation Voltage	$I_B = 100\text{mA}$ $I_C = 1\text{mA}$			0.35	
h_{ib} Small Signal Common – Base Input Impedance	$V_{CB} = 5\text{V}$ $I_C = 1\text{mA}$ $f = 1\text{kHz}$	25		32	Ω
h_{ob} Small Signal Common – Base Output Admittance	$V_{CB} = 5\text{V}$ $I_C = 1\text{mA}$ $f = 1\text{kHz}$			1	μmho
$ h_{fe} $ Small Signal Common – Base Current Gain	$V_{CE} = 5\text{V}$ $I_C = 500\text{mA}$ $f = 20\text{MHz}$	3			—
C_{obo} Common – Base Open Circuit Output Capacitance	$V_{CB} = 5\text{V}$ $I_E = 0$ $f = 140\text{kHz to } 1\text{MHz}$			6	pF
TRANSISTOR MATCHING CHARACTERISTICS					
$\frac{h_{FE1}}{h_{FE2}}$ Static Forward Current Gain Balance Ratio	$V_{CE} = 5\text{V}$ $I_C = 100\mu\text{A}$ See Note 2.	0.9		1	—
$ V_{BE1} - V_{BE2} $ Base – Emitter Voltage Differential	$V_{CE} = 5\text{V}$ $I_C = 100\mu\text{A}$			3	mV
	$V_{CE} = 5\text{V}$ $I_C = 10\mu\text{A to } 1\text{mA}$			5	
$ID(V_{BE1} - V_{BE2})DT_A $ Base – Emitter Voltage Differential Change With Temperature	$V_{CE} = 5\text{V}$ $I_C = 100\mu\text{A}$ $T_{A1} = 25^{\circ}\text{C}$ $T_{A2} = -55^{\circ}\text{C}$			0.8	mV
	$V_{CE} = 5\text{V}$ $I_C = 100\mu\text{A}$ $T_{A1} = 25^{\circ}\text{C}$ $T_{A2} = 125^{\circ}\text{C}$			1	

* Pulse Test: $t_p = 300\mu\text{s}$, $\delta \leq 1\%$.

NOTES

- 1) Terminals not under test are open circuited under all test conditions.
- 2) The lower of the two readings is taken as h_{FE1} .

Semelab Plc reserves the right to change test conditions, parameter limits and package dimensions without notice. Information furnished by Semelab is believed to be both accurate and reliable at the time of going to press. However Semelab assumes no responsibility for any errors or omissions discovered in its use. Semelab encourages customers to verify that datasheets are current before placing orders.