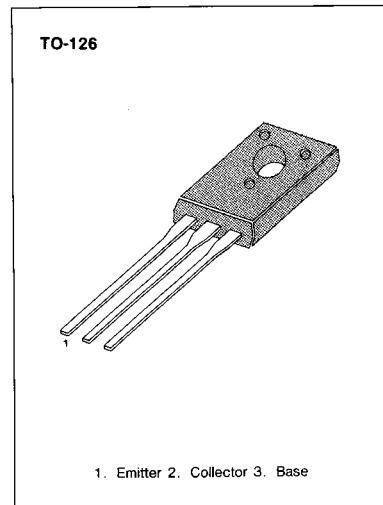


PNP Darlington Transistor KSB795 datasheet

AUDIO FREQUENCY POWER AMPLIFIER LOW SPEED SWITCHING INDUSTRIAL USE

ABSOLUTE MAXIMUM RATINGS (T_a=25°C)

Characteristic	Symbol	Rating	Unit
Collector-Base Voltage: KSB794	V _{CB0}	-60	V
: KSB795	V _{CB0}	-80	V
Collector-Emitter Voltage: KSB794	V _{CE0}	-60	V
: KSB795	V _{CE0}	-80	V
Emitter-Base Voltage	V _{EBO}	-8	V
Collector Current (DC)	I _C	-1.5	A
*Collector Current (Pulse)	I _C	-3	A
Base Current (DC)	I _B	-0.15	A
Collector Dissipation (T _a =25°C)	P _C	1	W
Collector Dissipation (T _c =25°C)	P _C	10	W
Junction Temperature	T _J	150	°C
Storage Temperature	T _{stg}	-55~150	°C



* PW≤300μs, Duty Cycle ≤10%

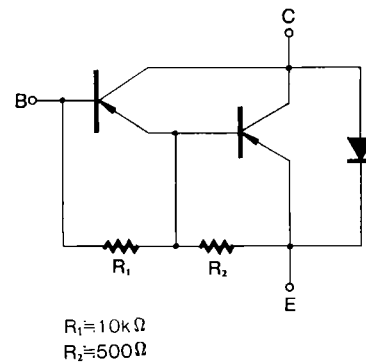
ELECTRICAL CHARACTERISTICS (T_a=25°C)

Characteristic	Symbol	Test Condition	Min	Max	Unit
Collector Cutoff Current	I _{CB0}	V _{CB} =-60V, I _E =0		-10	μA
Collector Cutoff Current	I _{CER}	V _{CE} =-60V, R _{BE} =51Ω, T _a =125°C		-1	mA
Collector Cutoff Current	I _{CEx1}	V _{CE} =-60V, V _{BE} (off)=1.5V		-10	μA
Collector Cutoff Current	I _{CEx2}	V _{CE} =-60V, V _{BE} (off)=1.5V T _a =125°C		-1	mA
Emitter Cutoff Current	I _{EBO}	V _{EB} =-5V, I _C =0		-1	mA
*DC Current Gain	h _{FE1}	V _{CE} =-2V, I _C =-0.5A	1000		
	h _{FE2}	V _{CE} =-2V, I _C =-1A	2000	30000	
*Collector-Emitter Saturation Voltage	V _{CE(sat)}	I _C =-1A, I _B =-1mA		-1.5	V
*Base-Emitter Saturation Voltage	V _{BE(sat)}	I _C =-1A, I _B =-1mA		-2	V

*Pulse Test: PW≤350μs, Duty Cycle≤2% pulsed.

h_{FE}(2) CLASSIFICATION

Classification	R	O	Y
h _{FE} (2)	2000-5000	4000-10000	8000-30000



PNP Darlington Transistor KSB795 datasheet

