

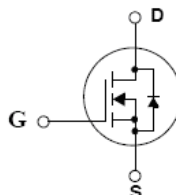
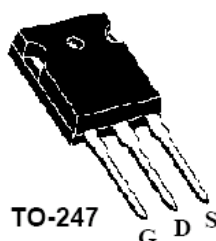
#### 1 Description

These N-Channel enhancement mode power field effect transistors are produced using planar stripe, DMOS technology.

This advanced technology has been especially tailored to minimize on-state resistance, provide superior switching performance, and withstand high energy pulse in the avalanche and commutation mode. These devices are well suited for high efficiency switched mode power supplies, active power factor correction based on half bridge topology.

#### 2 Features

- 55V / 110A,
- $R_{DS(on)} = 6m\Omega$  (typ) ,  $V_{GS} = 10V$ ,  $I_D = 66A$
- Fast switching
- 100% avalanche tested
- Improved dv/dt capability..



#### 3 Absolute Maximum Ratings $T_C = 25^\circ C$ unless otherwise noted

Symbol	Parameter	APQ110SN5EAD – XXM0	Units
		APQ110SN5EAD – XXJ0	
		TO-247	
$V_{DSS}$	Drain-Source Voltage	55	V
$I_D$	Drain Current - Continuous ( $T_C = 25^\circ C$ ) - Continuous ( $T_C = 100^\circ C$ )	110	A
		66	A
$I_{DM}$	Drain Current – Pulsed ①	400	A
$V_{GS}$	Gate-Source Voltage	$\pm 20$	V
$E_{AS}$	Single Pulsed Avalanche Energy ②	480	mJ
$I_{AR}$	Avalanche Current	60	A
$E_{AR}$	Repetitive Avalanche Energy	20	mJ
dv/dt	Peak Diode Recovery dv/dt ③	5.0	V/ns
$P_D$	Power Dissipation ( $T_C = 25^\circ C$ ) - De-rate above $25^\circ C$	200	W
		1.3	W/ $^\circ C$
$T_J, T_{STG}$	Operating and Storage Temperature Range	-55 to +150	$^\circ C$
$T_L$	soldering temperature for 10 seconds	300	$^\circ C$

\* note :

- ① Repetitive Rating: Pulse width limited by maximum junction temperature.
- ②  $V_{DD} = 30V$ , starting  $T_J = 25^\circ C$ ,  $L = TBD$ ,  $R_G = 0\Omega$ ,  $I_{AS} = 110A$
- ③  $I_{SD} \leq 110A$ ,  $di/dt \leq 100A/\mu s$ ,  $V_{DD} \leq V_{(BR)DSS}$ ,  $T_J \leq 150^\circ C$ .



# DEVICE SPECIFICATION

## APQ110SN5EAD

### 55V/110A N-Channel MOSFET

#### 4 Thermal Characteristics

Symbol	Parameter	APQ110SN5EAD – XXM0		Units
		APQ110SN5EAD – XXJ0		
		TO-247		
		Typ.	Max.	
$R_{\theta JC}$	Thermal Resistance, Junction-to-Case	--	0.75	°C/W
$R_{\theta CS}$	Thermal Resistance, Case-to-Sink Typ.	0.50	--	°C/W
$R_{\theta JA}$	Thermal Resistance, Junction-to-Ambient	--	62	°C/W

#### 5 Electrical Characteristics $T_C = 25^\circ\text{C}$ unless otherwise noted

Symbol	Parameter	Test Conditions	Min	Typ	Max	Units
<b>Off Characteristics</b>						
$BV_{DSS}$	Drain-Source Breakdown Voltage	$V_{GS} = 0\text{ V}, I_D = 250\ \mu\text{A}$	55	--	--	V
$\Delta BV_{DSS} / \Delta T_J$	Breakdown Voltage Temperature Coefficient	$I_D = 1\text{ mA}$ , Referenced to $25^\circ\text{C}$	--	0.058	--	V/°C
$I_{DSS}$	Gate to Source leakage current	$V_{DS} = 55\text{ V}, V_{GS} = 0\text{ V}$	--	--	25	$\mu\text{A}$
$I_{GSSF}$	Gate-Body Leakage Current, Forward	$V_{GS} = 20\text{ V}, V_{DS} = 0\text{ V}$	--	--	100	nA
$I_{GSSR}$	Gate-Body Leakage Current, Reverse	$V_{GS} = -20\text{ V}, V_{DS} = 0\text{ V}$	--	--	-100	nA
<b>On Characteristics</b>						
$V_{GS(th)}$	Gate Threshold Voltage	$V_{DS} = V_{GS}, I_D = 250\ \mu\text{A}$	2.0	--	4.0	V
$R_{DS(on)}$	Static Drain-Source On-Resistance	$V_{GS} = 10\text{ V}, I_D = 66\text{ A}$ ④	--	6	8	m $\Omega$
$g_{FS}$	Forward Transconductance	$V_{DS} = 10\text{ V}, I_D = 55\text{ A}$ ①	--	--	100	S
<b>Dynamic Characteristics</b>						
$C_{iss}$	Input Capacitance	$V_{DS} = 27.5\text{ V}, V_{GS} = 0\text{ V}, f = 1.0\text{ MHz}$	--	1413	--	pF
$C_{oss}$	Output Capacitance		--	320	--	pF
$C_{rss}$	Reverse Transfer Capacitance		--	23	--	pF
<b>Switching Characteristics</b>						
$t_{d(on)}$	Turn-On Delay Time	$V_{DD} = 27.5\text{ V}, I_D = 66\text{ A}, R_G = 4.7\ \Omega, R_D = 0.42\ \Omega, V_{GS} = 10\text{ V}$ ④	--	10.2	--	ns
$t_r$	Turn-On Rise Time		--	35.2	--	ns
$t_{d(off)}$	Turn-Off Delay Time		--	33.8	--	ns
$t_f$	Turn-Off Fall Time		--	6.7	--	ns
$Q_g$	Total Gate Charge	$V_{DS} = 27.5\text{ V}, I_D = 66\text{ A}, V_{GS} = 10\text{ V}$ ④	--	25.7	--	nC
$Q_{gs}$	Gate-Source Charge		--	5.8	--	nC
$Q_{gd}$	Gate-Drain Charge		--	7.5	--	nC
<b>Drain-Source Diode Characteristics and Maximum Ratings</b>						
$I_S$	Maximum Continuous Drain-Source Diode Forward Current	--	--	110	--	A
$I_{SM}$	Maximum Pulsed Drain-Source Diode Forward Current	--	--	440	--	A



## DEVICE SPECIFICATION

APQ110SN5EAD

55V/110A N-Channel MOSFET

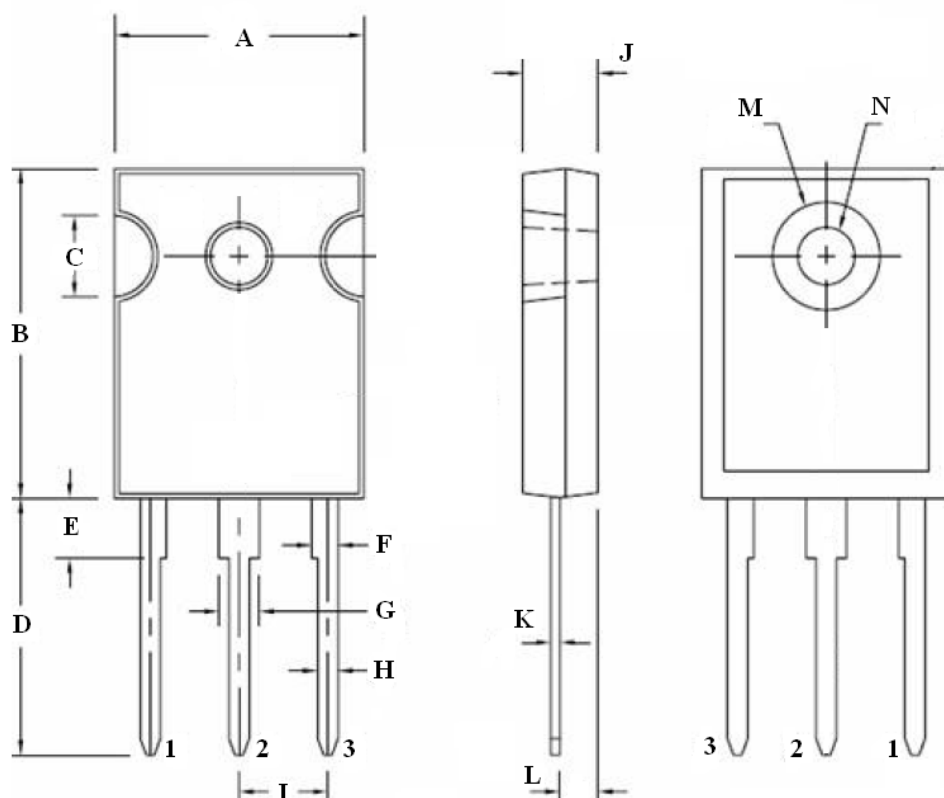
$V_{SD}$	Drain-Source Diode Forward Voltage	$V_{GS} = 0\text{ V}, I_S = 55\text{ A}$	--	--	1.5	V
$t_{rr}$	Reverse Recovery Time	$V_{GS} = 0\text{ V}, I_F = 66\text{ A},$ $di_F/dt = 100\text{ A}/\mu\text{s}$ ④	--	70	--	ns
$Q_{rr}$	Reverse Recovery Charge		--	120	--	$\mu\text{C}$

**Notes:**

- ① Repetitive Rating: Pulse width limited by maximum junction temperature.
- ②  $V_{DD} = 30\text{V}$ , starting  $T_J = 25^\circ\text{C}$ ,  $L = \text{TBD}$ ,  $R_G = 0\Omega$ ,  $I_{AS} = 110\text{A}$
- ③  $I_{SD} \leq 110\text{A}$ ,  $di/dt \leq 100\text{A}/\mu\text{s}$ ,  $V_{DD} \leq V_{(BR)DSS}$ ,  $T_J \leq 150^\circ\text{C}$
- ④ Pulse Test: Pulse width  $\leq 300\mu\text{s}$ , Duty cycle  $\leq 2\%$ . Depend on FT Test.
- ⑤ CP Test

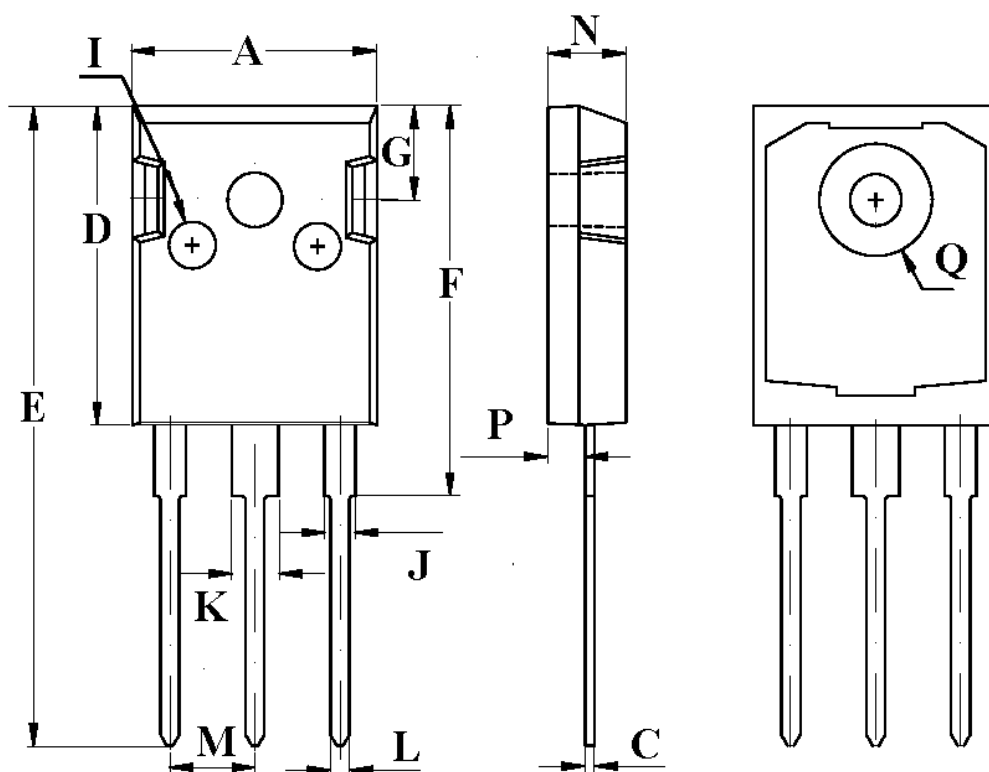
#### 6. Package Dimensions

APQ110SN5EAD—XXM0  
TO-247



TO-247 DIMENSION							
DIM	MILLIMETERS						
	MIN	MAX	TYP.	DIM	MIN	MAX	TYP
A	15.37	15.87	15.62	H	1.17	1.35	1.19
B	20.32	20.82	20.57	I	5.56 BSC		
C	4.96	5.20	5.08	J	4.58	4.82	4.7
D	15.75	16.25	16.00	K	0.51	0.71	0.61
E	3.69	3.93	3.81	L	2.29	2.66	2.48
F	1.53	1.77	1.65	M	6.61	6.85	6.73
G	2.42	2.66	2.54	N	3.51	3.65	3.58

APQ110SN5EAD-XXJ0  
TO-247



TO-247 DIMENSION							
DIM	MILLIMETERS						
	MIN	MAX	TYP.	DIM	MIN	MAX	TYP.
A	15.45	15.75	15.60	K	2.80	3.20	3.00
D	20.30	20.60	20.45	L	1.00	1.40	1.20
E	40.90	41.30	40.10	M	5.45 TYP		
F	24.80	25.10	24.95	N	4.85	5.15	5.00
G	5.98 REF			O	0.50	0.70	0.60
I	0	0.30	0.15	P	2.20	2.60	2.40
J	1.80	2.20	2.00	Q	7.10	7.30	7.20



## DEVICE SPECIFICATION

APQ110SN5EAD

---

55V/110A N-Channel MOSFET

---

### Note

The declared data are only a description of product, information furnished is believed to be accurate and reliable. However, alpha pacific assumes no responsibility for the consequences of use of such information nor for any infringement of patents or other rights of third parties which may result from its use. No license is granted by implication or otherwise under any patent or patent rights of alpha pacific. alpha pacific reserves the right to make changes on this specification without notice at any time.

This publication supersedes and replaces all information previously supplied. All alpha pacific products are not authorized for use as critical components in life support devices or systems, except by a written approval of alpha pacific.

Reprinting this data sheet - or parts of it - is only allowed with a license of alpha pacific.

### contact

**Alpha Pacific Technologies Co., Ltd**  
3F-6, No.18, Lane 609, Sec.5  
Chung Sin road, Shan Chang Dristrict,  
New Taipei City, TAIWAN, R.O.C

tel +886-2-2999 5456  
fax +886-2-2999 5270  
internet [www.apttw.com](http://www.apttw.com)