

### Realizing miniaturization of the set by low on-resistance and low capacitance

# 33V/8.0A N-channel Single-type MOS FET

## FK8V0305

#### ■ Overview

FK8V0305 is a N-channel MOS FET suitable for DC/DC converter achieving industry's top class low-on resistance and reduced the capacitance at the same time by the fine patterning process.

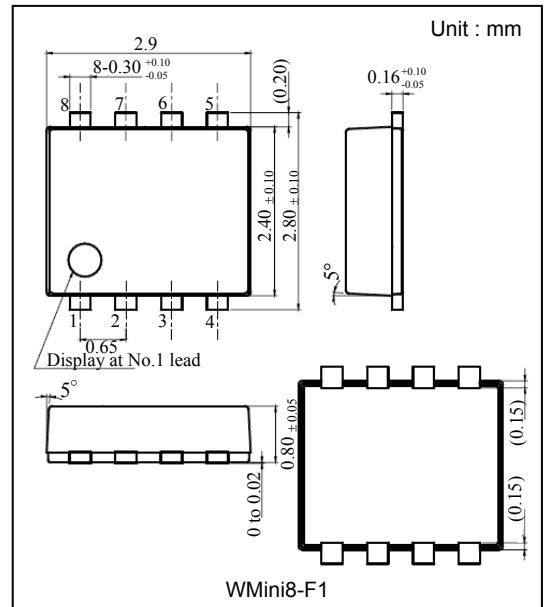
It is a small environment-friendly halogen-free package (WMini8) and contributes to the miniaturization of the sets..

#### ■ Feature

- Low on-resistance: typ. 16mΩ ( $V_{GS}=4.5V, I_D=4.0A$ )
- Low Ciss (Ciss=500pF)
- Small package (WMini8-F1)
- Eco-friendly : Halogen free package

#### ■ Application

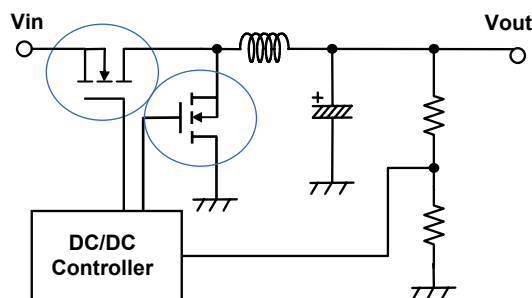
DC/DC converter



#### ■ Specification (Tentative)

Polarity	Product number	Type	VDSS (V)	VGSS (V)	ID (A)	RDS(on) (typ) (mΩ)		Ciss (pF)	Package
						VGS=10V	VGS=4.5V		
Nch	FK8V0305	Single	33	± 20	8.0	11	16	500	WMini8-F1

#### ■ Circuit Example



#### ■ Internal Circuit

1. Source
2. Source
3. Source
4. Gate
5. Drain
6. Drain
7. Drain
8. Drain

