

Formerly FRL230R4

5A, 200V, 0.500 Ohm, Rad Hard,  
N-Channel Power MOSFET

June 1998

### Features

- 5A, 200V,  $r_{DS(ON)} = 0.500\Omega$
- Total Dose
  - Meets Pre-RAD Specifications to 100K RAD (Si)
- Dose Rate
  - Typically Survives 3E9 RAD (Si)/s at 80%  $BV_{DSS}$
  - Typically Survives 2E12 if Current Limited to  $I_{DM}$
- Photo Current
  - 3nA Per-RAD(Si)/s Typically
- Neutron
  - Maintain Pre-RAD Specifications for 1E13 Neutrons/cm<sup>2</sup>
  - Usable to 1E14 Neutrons/cm<sup>2</sup>

### Ordering Information

PART NUMBER	PACKAGE	BRAND
JANSR2N7275	TO-205AF	JANSR2N7275

Die family TA17632.  
MIL-PRF-19500/604.

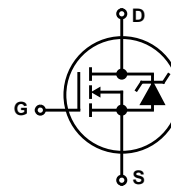
### Description

The Intersil Corporation has designed a series of SECOND GENERATION hardened power MOSFETs of both N-Channel and P-Channel enhancement types with ratings from 100V to 500V, 1A to 60A, and on resistance as low as 25mΩ. Total dose hardness is offered at 100K RAD (Si) and 1000K RAD (Si) with neutron hardness ranging from 1E13 for 500V product to 1E14 for 100V product. Dose rate hardness (GAMMA DOT) exists for rates to 1E9 without current limiting and 2E12 with current limiting.

This MOSFET is an enhancement-mode silicon-gate power field effect transistor of the vertical DMOS (VDMOS) structure. It is specially designed and processed to exhibit minimal characteristic changes to total dose (GAMMA) and neutron ( $n^0$ ) exposures. Design and processing efforts are also directed to enhance survival to dose rate (GAMMA DOT) exposure.

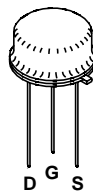
Also available at other radiation and screening levels. See us on the web, Intersil's home page: <http://www.semi.harris.com>. Contact your local Intersil Sales Office for additional information.

### Symbol



### Packaging

TO-205AF



# JANSR2N7275

## Absolute Maximum Ratings $T_C = 25^\circ\text{C}$ , Unless Otherwise Specified

	JANSR2N7275	UNITS
Drain to Source Voltage . . . . .	200	V
Drain to Gate Voltage ( $R_{GS} = 20\text{k}\Omega$ ) . . . . .	200	V
Continuous Drain Current		
$T_C = 25^\circ\text{C}$ . . . . .	5	A
$T_C = 100^\circ\text{C}$ . . . . .	3	A
Pulsed Drain Current . . . . .	15	A
Gate to Source Voltage . . . . .	$\pm 20$	V
Maximum Power Dissipation		
$T_C = 25^\circ\text{C}$ . . . . .	25	W
$T_C = 100^\circ\text{C}$ . . . . .	10	W
Linear Derating Factor . . . . .	0.20	W/ $^\circ\text{C}$
Single Pulsed Avalanche Current, $L = 100\mu\text{H}$ , (See Test Figure) . . . . .	15	A
Continuous Source Current (Body Diode) . . . . .	5	A
Pulsed Source Current (Body Diode) . . . . .	15	A
Operating and Storage Temperature . . . . .	-55 to 150	$^\circ\text{C}$
Lead Temperature (During Soldering) . . . . .	300	$^\circ\text{C}$
(Distance $>0.063\text{in}$ (1.6mm) from Case, 10s Max)		
Weight (Typical) . . . . .	1.0	g

CAUTION: Stresses above those listed in "Absolute Maximum Ratings" may cause permanent damage to the device. This is a stress only rating and operation of the device at these or any other conditions above those indicated in the operational sections of this specification is not implied.

## Electrical Specifications $T_C = 25^\circ\text{C}$ , Unless Otherwise Specified

PARAMETER	SYMBOL	TEST CONDITIONS	MIN	TYP	MAX	UNITS	
Drain to Source Breakdown Voltage	$BV_{DSS}$	$I_D = 1\text{mA}$ , $V_{GS} = 0\text{V}$	200	-	-	V	
Gate Threshold Voltage	$V_{GS(TH)}$	$V_{GS} = V_{DS}$ , $I_D = 1\text{mA}$	$T_C = -55^\circ\text{C}$	-	-	5.0	V
			$T_C = 25^\circ\text{C}$	2.0	-	4.0	V
			$T_C = 125^\circ\text{C}$	1.0	-	-	V
Zero Gate Voltage Drain Current	$I_{DSS}$	$V_{DS} = 160\text{V}$ , $V_{GS} = 0\text{V}$	$T_C = 25^\circ\text{C}$	-	-	25	$\mu\text{A}$
			$T_C = 125^\circ\text{C}$	-	-	250	$\mu\text{A}$
Gate to Source Leakage Current	$I_{GSS}$	$V_{GS} = \pm 20\text{V}$	$T_C = 25^\circ\text{C}$	-	-	100	nA
			$T_C = 125^\circ\text{C}$	-	-	200	nA
Drain to Source On-State Voltage	$V_{DS(ON)}$	$V_{GS} = 10\text{V}$ , $I_D = 5\text{A}$	-	-	2.63	V	
Drain to Source On Resistance	$r_{DS(ON)}$	$I_D = 3\text{A}$ , $V_{GS} = 10\text{V}$	$T_C = 25^\circ\text{C}$	-	-	0.500	$\Omega$
			$T_C = 125^\circ\text{C}$	-	-	1.100	$\Omega$
Turn-On Delay Time	$t_{d(ON)}$	$V_{DD} = 100\text{V}$ , $I_D = 5\text{A}$ , $R_L = 20\Omega$ , $V_{GS} = 10\text{V}$ , $R_{GS} = 25\Omega$	-	-	35	ns	
Rise Time	$t_r$		-	-	140	ns	
Turn-Off Delay Time	$t_{d(OFF)}$		-	-	172	ns	
Fall Time	$t_f$		-	-	80	ns	
Total Gate Charge (Not on Slash Sheet)	$Q_g(TOT)$	$V_{GS} = 0\text{V}$ to $20\text{V}$	$V_{DD} = 100\text{V}$ , $I_D = 5\text{A}$	-	-	120	nC
Gate Charge at 10V	$Q_g(10)$	$V_{GS} = 0\text{V}$ to $10\text{V}$		-	-	60	nC
Threshold Gate Charge (Not on Slash Sheet)	$Q_g(TH)$	$V_{GS} = 0\text{V}$ to $2\text{V}$		-	-	3	nC
Gate Charge Source	$Q_{gs}$			-	-	12	nC
Gate Charge Drain	$Q_{gd}$			-	-	29	nC
Thermal Resistance Junction to Case	$R_{\theta JC}$			-	-	5.0	$^\circ\text{C}/\text{W}$
Thermal Resistance Junction to Ambient	$R_{\theta JA}$		-	-	175	$^\circ\text{C}/\text{W}$	

**Source to Drain Diode Specifications**

PARAMETER	SYMBOL	TEST CONDITIONS	MIN	TYP	MAX	UNITS
Forward Voltage	$V_{SD}$	$I_{SD} = 5A$	0.6	-	1.8	V
Reverse Recovery Time	$t_{rr}$	$I_{SD} = 5A, dI_{SD}/dt = 100A/\mu s$	-	-	600	ns

**Electrical Specifications up to 100K RAD**  $T_C = 25^\circ C$ , Unless Otherwise Specified

PARAMETER	SYMBOL	TEST CONDITIONS	MIN	MAX	UNITS
Drain to Source Breakdown Volts (Note 3)	$BV_{DSS}$	$V_{GS} = 0, I_D = 1mA$	200	-	V
Gate to Source Threshold Volts (Note 3)	$V_{GS(TH)}$	$V_{GS} = V_{DS}, I_D = 1mA$	2.0	4.0	V
Gate to Body Leakage (Notes 2, 3)	$I_{GSS}$	$V_{GS} = \pm 20V, V_{DS} = 0V$	-	100	nA
Zero Gate Leakage (Note 3)	$I_{DSS}$	$V_{GS} = 0, V_{DS} = 160V$	-	25	$\mu A$
Drain to Source On-State Volts (Notes 1, 3)	$V_{DS(ON)}$	$V_{GS} = 10V, I_D = 5A$	-	2.63	V
Drain to Source On Resistance (Notes 1, 3)	$r_{DS(ON)12}$	$V_{GS} = 10V, I_D = 3A$	-	0.500	$\Omega$

NOTES:

1. Pulse test, 300 $\mu s$  Max.
2. Absolute value.
3. Insitu Gamma bias must be sampled for both  $V_{GS} = 10V, V_{DS} = 0V$  and  $V_{GS} = 0V, V_{DS} = 80\% BV_{DSS}$ .

**Typical Performance Curves** Unless Otherwise Specified

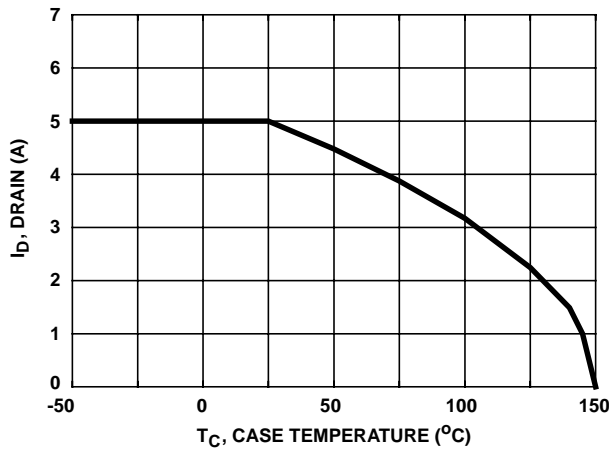


FIGURE 1. MAXIMUM CONTINUOUS DRAIN CURRENT vs CASE TEMPERATURE

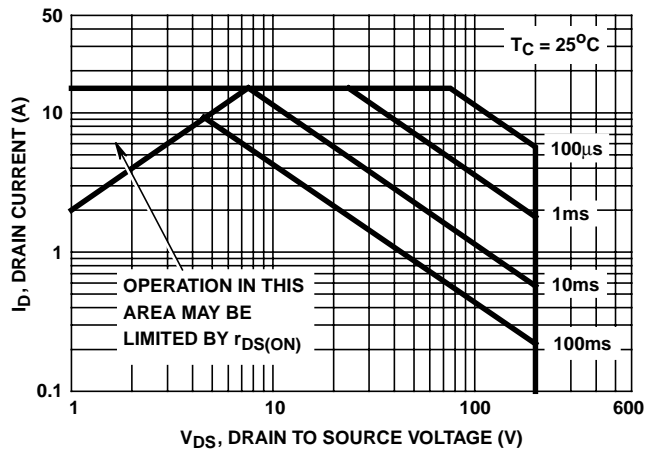


FIGURE 2. FORWARD BIAS SAFE OPERATING AREA

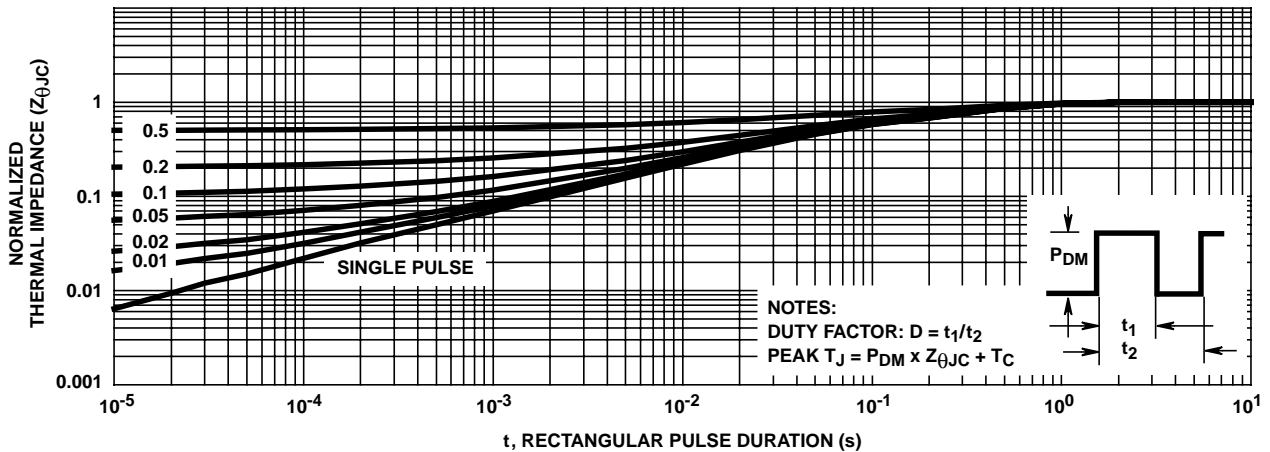


FIGURE 3. NORMALIZED MAXIMUM TRANSIENT THERMAL IMPEDANCE

Test Circuits and Waveforms

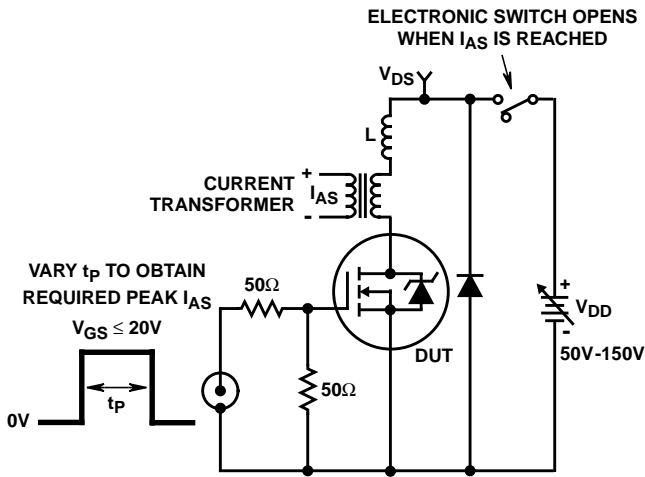


FIGURE 4. UNCLAMPED ENERGY TEST CIRCUIT

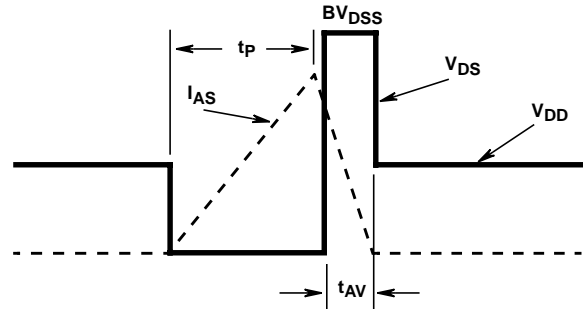


FIGURE 5. UNCLAMPED ENERGY WAVEFORMS

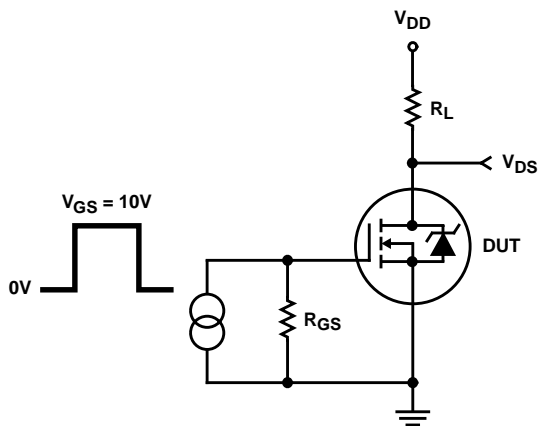


FIGURE 6. RESISTIVE SWITCHING TEST CIRCUIT

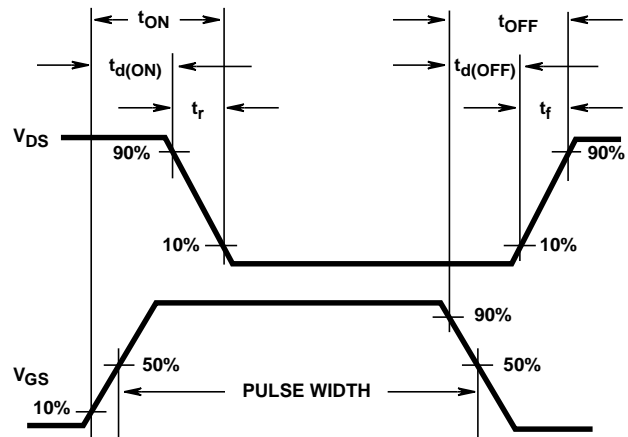


FIGURE 7. RESISTIVE SWITCHING WAVEFORMS

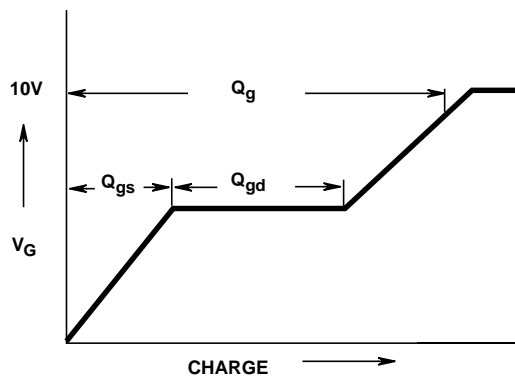


FIGURE 8. BASIC GATE CHARGE WAVEFORM

## JANSR2N7275

### Screening Information

Screening is performed in accordance with the latest revision in effect of MIL-S-19500, (Screening Information Table).

#### Delta Tests and Limits (JANS) $T_C = 25^{\circ}\text{C}$ , Unless Otherwise Specified

PARAMETER	SYMBOL	TEST CONDITIONS	MAX	UNITS
Gate to Source Leakage Current	$I_{GSS}$	$V_{GS} = \pm 20\text{V}$	$\pm 20$ (Note 4)	nA
Zero Gate Voltage Drain Current	$I_{DSS}$	$V_{DS} = 80\%$ Rated Value	$\pm 25$ (Note 4)	$\mu\text{A}$
Drain to Source On Resistance	$r_{DS(ON)}$	$T_C = 25^{\circ}\text{C}$ at Rated $I_D$	$\pm 20\%$ (Note 5)	$\Omega$
Gate Threshold Voltage	$V_{GS(TH)}$	$I_D = 1.0\text{mA}$	$\pm 20\%$ (Note 5)	V

NOTES:

4. Or 100% of Initial Reading (whichever is greater).
5. Of Initial Reading.

### Screening Information

TEST	JANS
Gate Stress	$V_{GS} = 30\text{V}$ , $t = 250\mu\text{s}$
Pind	Required
Pre Burn-In Tests (Note 6)	MIL-S-19500 Group A, Subgroup 2 (All Static Tests at $25^{\circ}\text{C}$ )
Steady State Gate Bias (Gate Stress)	MIL-STD-750, Method 1042, Condition B $V_{GS} = 80\%$ of Rated Value, $T_A = 150^{\circ}\text{C}$ , Time = 48 hours
Interim Electrical Tests (Note 6)	All Delta Parameters Listed in the Delta Tests and Limits Table
Steady State Reverse Bias (Drain Stress)	MIL-STD-750, Method 1042, Condition A $V_{DS} = 80\%$ of Rated Value, $T_A = 150^{\circ}\text{C}$ , Time = 240 hours
PDA	5%
Final Electrical Tests (Note 6)	MIL-S-19500, Group A, Subgroups 2 and 3

NOTE:

6. Test limits are identical pre and post burn-in.

### Additional Screening Tests

PARAMETER	SYMBOL	TEST CONDITIONS	MAX	UNITS
Safe Operating Area	SOA	$V_{DS} = 160\text{V}$ , $t = 10\text{ms}$	0.65	A
Unclamped Inductive Switching	$I_{AS}$	$V_{GS(PEAK)} = 15\text{V}$ , $L = 0.1\text{mH}$	15	A
Thermal Response	$\Delta V_{SD}$	$t_H = 10\text{ms}$ ; $V_H = 25\text{V}$ ; $I_H = 2\text{A}$	92	mV
Thermal Impedance	$\Delta V_{SD}$	$t_H = 500\text{ms}$ ; $V_H = 25\text{V}$ ; $I_H = 1\text{A}$	190	mV

**Rad Hard Data Packages - Intersil Power Transistors**

**1. JANS Rad Hard - Standard Data Package**

- A. Certificate of Compliance
- B. Serialization Records
- C. Assembly Flow Chart
- D. SEM Photos and Report
- E. Preconditioning Attributes Data Sheet
  - Hi-Rel Lot Traveler
  - HTRB - Hi Temp Gate Stress Post Reverse Bias Data and Delta Data
  - HTRB - Hi Temp Drain Stress Post Reverse Bias Delta Data
- F. Group A - Attributes Data Sheet
- G. Group B - Attributes Data Sheet
- H. Group C - Attributes Data Sheet
- I. Group D - Attributes Data Sheet

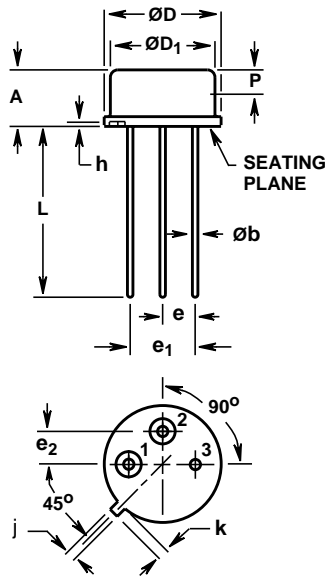
**2. JANS Rad Hard - Optional Data Package**

- A. Certificate of Compliance
- B. Serialization Records
- C. Assembly Flow Chart
- D. SEM Photos and Report
- E. Preconditioning - Attributes Data Sheet
  - Hi-Rel Lot Traveler
  - HTRB - Hi Temp Gate Stress Post Reverse Bias Data and Delta Data
  - HTRB - Hi Temp Drain Stress Post Reverse Bias Delta Data
  - X-Ray and X-Ray Report
- F. Group A
  - Attributes Data Sheet
  - Hi-Rel Lot Traveler
  - Subgroups A2, A3, A4, A5 and A7 Data
- G. Group B
  - Attributes Data Sheet
  - Hi-Rel Lot Traveler
  - Subgroups B1, B3, B4, B5 and B6 Data
- H. Group C
  - Attributes Data Sheet
  - Hi-Rel Lot Traveler
  - Subgroups C1, C2, C3 and C6 Data
- I. Group D
  - Attributes Data Sheet
  - Hi-Rel Lot Traveler
  - Pre and Post Radiation Data

# JANSR2N7275

## TO-205AF

### 3 LEAD JEDEC TO-205AF HERMETIC METAL CAN PACKAGE



SYMBOL	INCHES		MILLIMETERS		NOTES
	MIN	MAX	MIN	MAX	
A	0.160	0.180	4.07	4.57	-
$\varnothing b$	0.016	0.021	0.41	0.53	2, 3
$\varnothing D$	0.350	0.370	8.89	9.39	-
$\varnothing D_1$	0.315	0.335	8.01	8.50	-
e	0.095	0.105	2.42	2.66	4
$e_1$	0.190	0.210	4.83	5.33	4
$e_2$	0.095	0.105	2.42	2.66	4
h	0.010	0.020	0.26	0.50	-
j	0.028	0.034	0.72	0.86	-
k	0.029	0.045	0.74	1.14	-
L	0.500	0.560	12.70	14.22	3
P	0.075	-	1.91	-	5

#### NOTES:

1. These dimensions are within allowable dimensions of Rev. E of JEDEC TO-205AF outline dated 11-82.
2. Lead dimension (without solder).
3. Solder coating may vary along lead length, add typically 0.002 inches (0.05mm) for solder coating.
4. Position of lead to be measured 0.100 inches (2.54mm) from bottom of seating plane.
5. This zone controlled for automatic handling. The variation in actual diameter within this zone shall not exceed 0.010 inches (0.254mm).
6. Lead no. 3 butt welded to stem base.
7. Controlling dimension: Inch.
8. Revision 3 dated 6-94.

All Intersil semiconductor products are manufactured, assembled and tested under **ISO9000** quality systems certification.

*Intersil products are sold by description only. Intersil Corporation reserves the right to make changes in circuit design and/or specifications at any time without notice. Accordingly, the reader is cautioned to verify that data sheets are current before placing orders. Information furnished by Intersil is believed to be accurate and reliable. However, no responsibility is assumed by Intersil or its subsidiaries for its use; nor for any infringements of patents or other rights of third parties which may result from its use. No license is granted by implication or otherwise under any patent or patent rights of Intersil or its subsidiaries.*

For information regarding Intersil Corporation and its products, see web site <http://www.intersil.com>

### Sales Office Headquarters

**NORTH AMERICA**  
Intersil Corporation  
P. O. Box 883, Mail Stop 53-204  
Melbourne, FL 32902  
TEL: (407) 724-7000  
FAX: (407) 724-7240

**EUROPE**  
Intersil SA  
Mercure Center  
100, Rue de la Fusee  
1130 Brussels, Belgium  
TEL: (32) 2.724.2111  
FAX: (32) 2.724.22.05

**ASIA**  
Intersil (Taiwan) Ltd.  
Taiwan Limited  
7F-6, No. 101 Fu Hsing North Road  
Taipei, Taiwan  
Republic of China  
TEL: (886) 2 2716 9310  
FAX: (886) 2 2715 3029