

N - CHANNEL ENHANCEMENT MODE "ULTRA HIGH DENSITY" POWER MOS TRANSISTOR

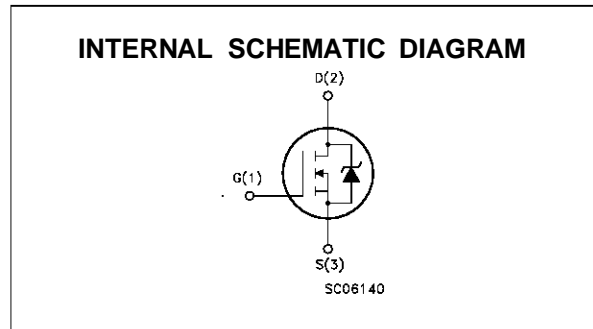
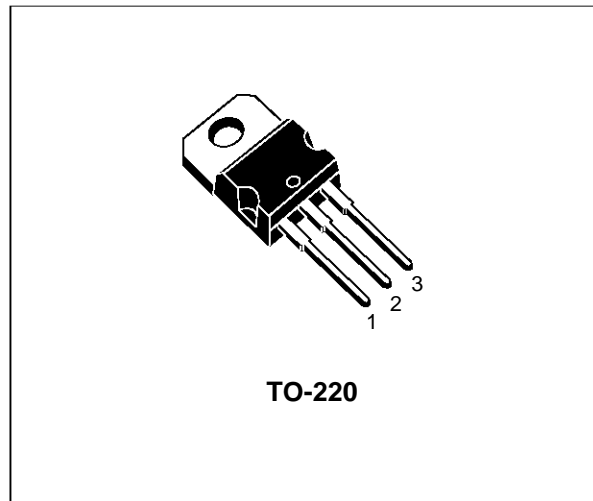
PRELIMINARY DATA

TYPE	V _{DSS}	R _{DS(on)}	I _D
STP38N06	60 V	< 0.03 Ω	38 A (*)

- TYPICAL R_{DS(on)} = 0.026 Ω
- AVALANCHE RUGGED TECHNOLOGY
- 100% AVALANCHE TESTED
- REPETITIVE AVALANCHE DATA AT 100°C
- HIGH CURRENT CAPABILITY
- 175°C OPERATING TEMPERATURE
- HIGH dV/dt RUGGEDNESS
- APPLICATION ORIENTED CHARACTERIZATION

APPLICATIONS

- HIGH CURRENT, HIGH SPEED SWITCHING
- POWER MOTOR CONTROL
- DC-DC & DC-AC CONVERTERS
- SYNCHRONOUS RECTIFICATION



ABSOLUTE MAXIMUM RATINGS

Symbol	Parameter	Value	Unit
V _{DS}	Drain-source Voltage (V _{GS} = 0)	60	V
V _{DGR}	Drain- gate Voltage (R _{GS} = 20 kΩ)	60	V
V _{GS}	Gate-source Voltage	± 20	V
I _D	Drain Current (continuous) at T _c = 25 °C	38	A
I _D	Drain Current (continuous) at T _c = 100 °C	26	A
I _{DM} (•)	Drain Current (pulsed)	152	A
P _{tot}	Total Dissipation at T _c = 25 °C	90	W
	Derating Factor	0.6	W/°C
dV/dt(1)	Peak Diode Recovery voltage slope	7	V/ns
T _{stg}	Storage Temperature	-65 to 175	°C
T _j	Max. Operating Junction Temperature	175	°C

(•) Pulse width limited by safe operating area

STP38N06

THERMAL DATA

R _{thj-case}	Thermal Resistance Junction-case	Max	1.66	°C/W
R _{thj-amb}	Thermal Resistance Junction-ambient	Max	62.5	°C/W
R _{thc-sink}	Thermal Resistance Case-sink	Typ	0.5	°C/W
T _J	Maximum Lead Temperature For Soldering Purpose		300	°C

AVALANCHE CHARACTERISTICS

Symbol	Parameter	Max Value	Unit
I _{AR}	Avalanche Current, Repetitive or Not-Repetitive (pulse width limited by T _J max, δ < 1%)	38	A
E _{AS}	Single Pulse Avalanche Energy (starting T _J = 25 °C, I _D = I _{AR} , V _{DD} = 25 V)	300	mJ
E _{AR}	Repetitive Avalanche Energy (pulse width limited by T _J max, δ < 1%)	75	mJ
I _{AR}	Avalanche Current, Repetitive or Not-Repetitive (T _c = 100 °C, pulse width limited by T _J max, δ < 1%)	26	A

ELECTRICAL CHARACTERISTICS (T_{case} = 25 °C unless otherwise specified)

OFF

Symbol	Parameter	Test Conditions	Min.	Typ.	Max.	Unit
V _{(BR)DSS}	Drain-source Breakdown Voltage	I _D = 250 μA V _{GS} = 0	60			V
I _{DSS}	Zero Gate Voltage Drain Current (V _{GS} = 0)	V _{DS} = Max Rating V _{DS} = Max Rating x 0.8 T _c = 125 °C			250 1000	μA μA
I _{GSS}	Gate-body Leakage Current (V _{DS} = 0)	V _{GS} = ± 20 V			± 100	nA

ON (*)

Symbol	Parameter	Test Conditions	Min.	Typ.	Max.	Unit
V _{GS(th)}	Gate Threshold Voltage	V _{DS} = V _{GS} I _D = 250 μA	2	3	4	V
R _{DS(on)}	Static Drain-source On Resistance	V _{GS} = 10V I _D = 19 A V _{GS} = 10V I _D = 19 A T _c = 100°C		0.026	0.03 0.06	Ω Ω
I _{D(on)}	On State Drain Current	V _{DS} > I _{D(on)} x R _{DS(on)max} V _{GS} = 10 V	38			A

DYNAMIC

Symbol	Parameter	Test Conditions	Min.	Typ.	Max.	Unit
g _{fs} (*)	Forward Transconductance	V _{DS} > I _{D(on)} x R _{DS(on)max} I _D = 19 A	14	19		S
C _{iss}	Input Capacitance	V _{DS} = 25 V f = 1 MHz V _{GS} = 0		2000	2800	pF
C _{oss}	Output Capacitance			350	450	pF
C _{rss}	Reverse Transfer Capacitance			80	120	pF

ELECTRICAL CHARACTERISTICS (continued)

SWITCHING ON

Symbol	Parameter	Test Conditions	Min.	Typ.	Max.	Unit
$t_{d(on)}$	Turn-on Time	$V_{DD} = 30\text{ V}$ $I_D = 19\text{ A}$		45	65	ns
t_r	Rise Time	$R_G = 50\ \Omega$ $V_{GS} = 10\text{ V}$ (see test circuit, figure 3)		280	380	ns
$(di/dt)_{on}$	Turn-on Current Slope	$V_{DD} = 48\text{ V}$ $I_D = 38\text{ A}$ $R_G = 50\ \Omega$ $V_{GS} = 10\text{ V}$ (see test circuit, figure 5)		240		A/ μs
Q_g	Total Gate Charge	$V_{DD} = 40\text{ V}$ $I_D = 38\text{ A}$ $V_{GS} = 10\text{ V}$		60	80	nC
Q_{gs}	Gate-Source Charge			10		nC
Q_{gd}	Gate-Drain Charge			20		nC

SWITCHING OFF

Symbol	Parameter	Test Conditions	Min.	Typ.	Max.	Unit
$t_{r(Voff)}$	Off-voltage Rise Time	$V_{DD} = 48\text{ V}$ $I_D = 38\text{ A}$		65	85	ns
t_f	Fall Time	$R_G = 50\ \Omega$ $V_{GS} = 10\text{ V}$ (see test circuit, figure 5)		140	180	ns
t_c	Cross-over Time			230	300	ns

SOURCE DRAIN DIODE

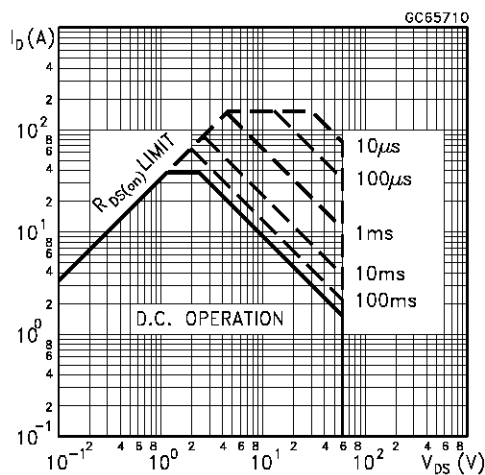
Symbol	Parameter	Test Conditions	Min.	Typ.	Max.	Unit
I_{SD}	Source-drain Current				38	A
$I_{SDM}(\bullet)$	Source-drain Current (pulsed)				152	A
$V_{SD} (*)$	Forward On Voltage	$I_{SD} = 38\text{ A}$ $V_{GS} = 0$			1.5	V
t_{rr}	Reverse Recovery Time	$I_{SD} = 38\text{ A}$ $di/dt = 100\text{ A}/\mu\text{s}$ $V_{DD} = 40\text{ V}$ $T_j = 150\text{ }^\circ\text{C}$ (see test circuit, figure 5)		85		ns
Q_{rr}	Reverse Recovery Charge			0.3		μC
I_{RRM}	Reverse Recovery Current			7		A

(*) Pulsed: Pulse duration = 300 μs , duty cycle 1.5 %

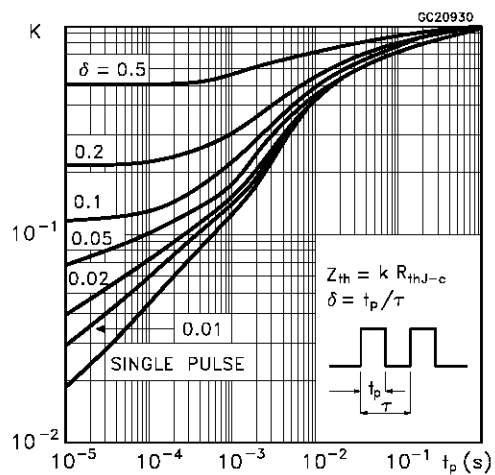
(\bullet) Pulse width limited by safe operating area

(1) $I_{SD} \leq 20\text{ A}$, $di/dt \leq 300\text{ A}/\mu\text{s}$, $V_{DD} \leq V_{(BR)DSS}$, $T_j \leq T_{JMAX}$

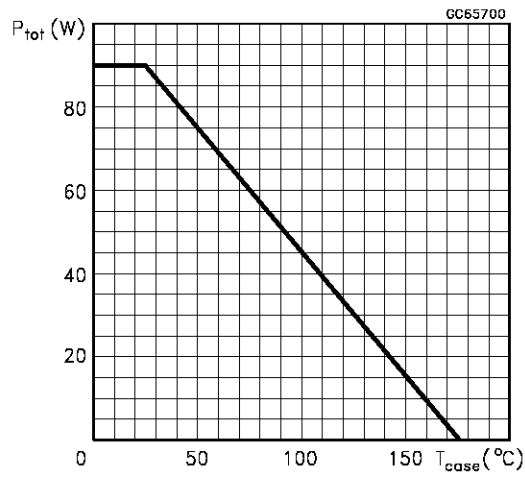
Safe Operating Area



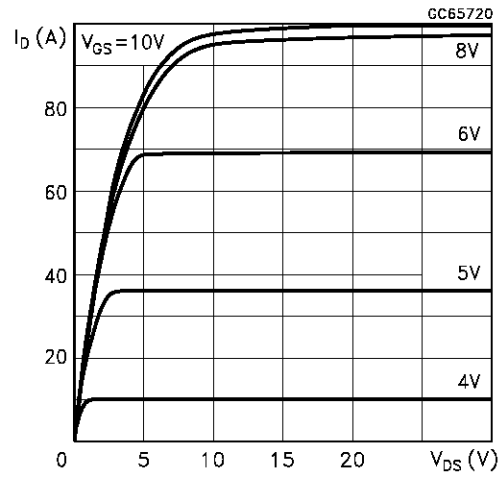
Thermal Impedance



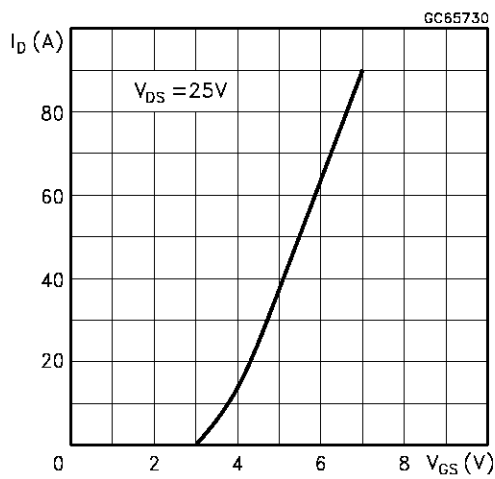
Derating Curve



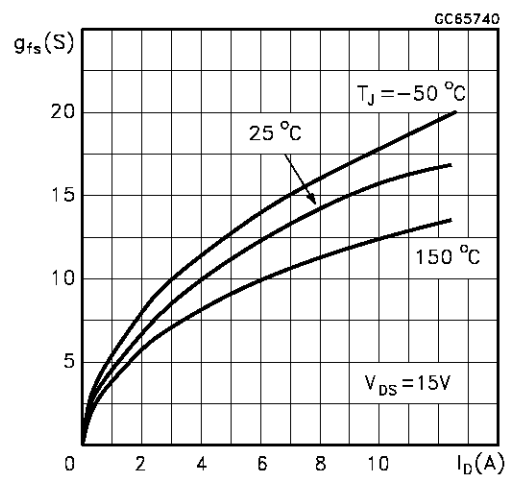
Output Characteristics



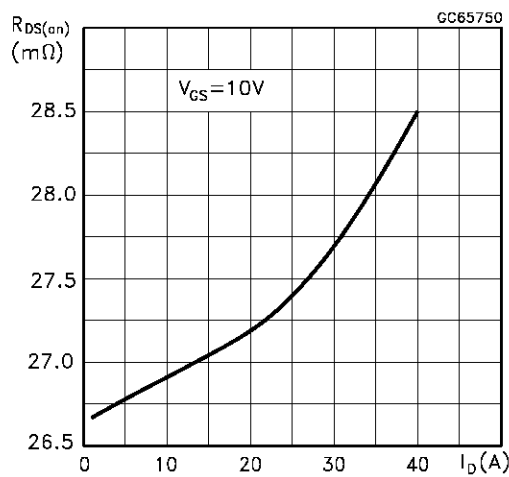
Transfer Characteristics



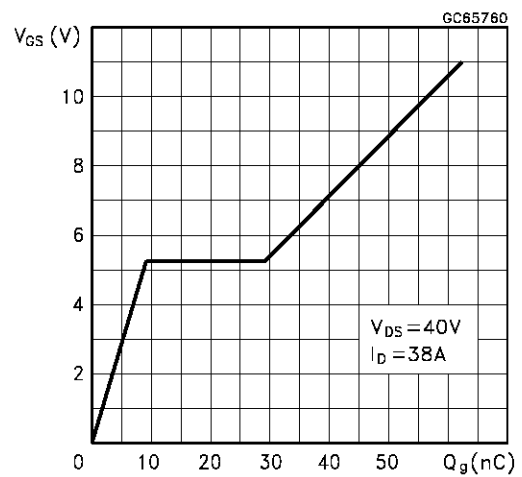
Transconductance



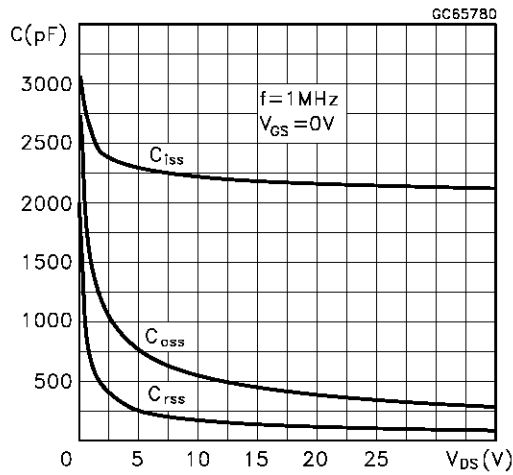
Static Drain-source On Resistance



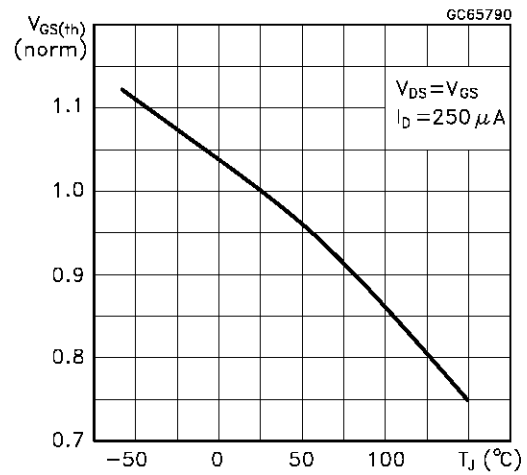
Gate Charge vs Gate-source Voltage



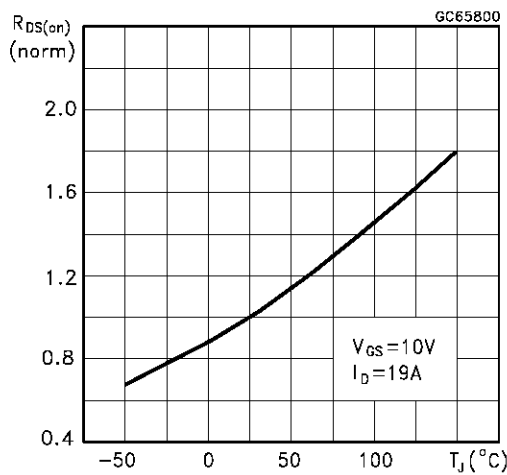
Capacitance Variations



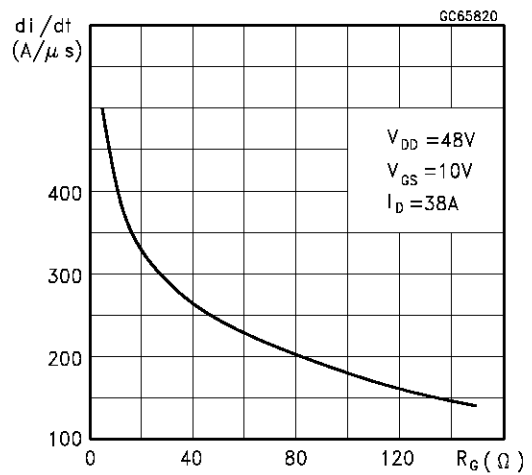
Normalized Gate Threshold Voltage vs Temperature



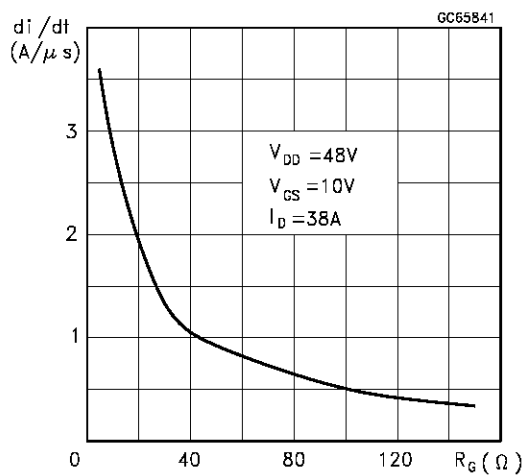
Normalized On Resistance vs Temperature



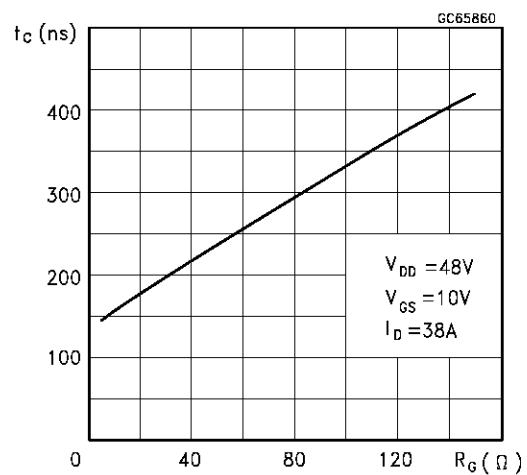
Turn-on Current Slope



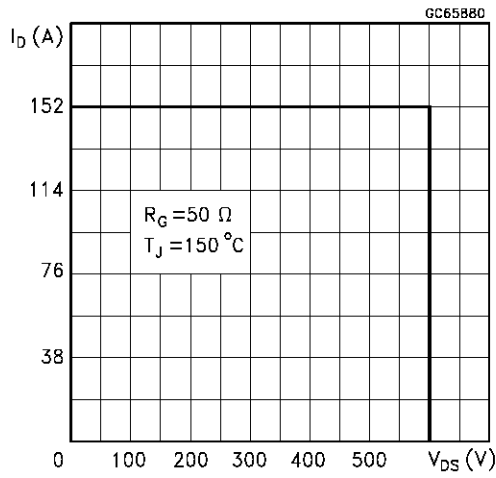
Turn-off Drain-source Voltage Slope



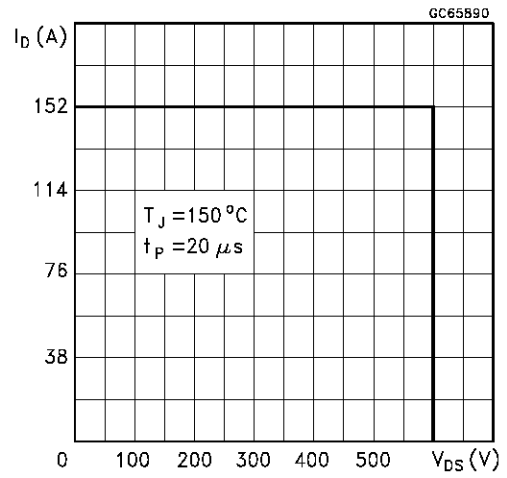
Cross-over Time



Switching Safe Operating Area



Accidental Overload Area



Source-drain Diode Forward Characteristics

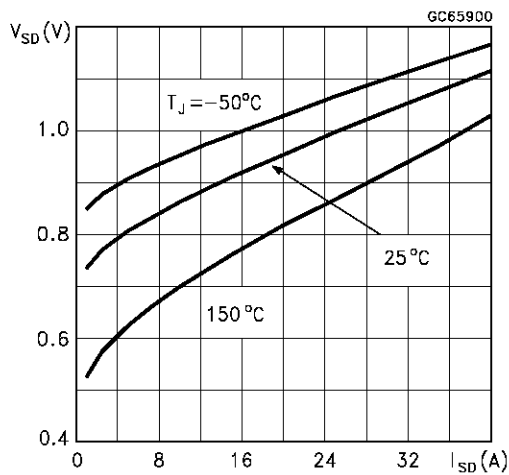


Fig. 1: Unclamped Inductive Load Test Circuit

Fig. 2: Unclamped Inductive Waveform

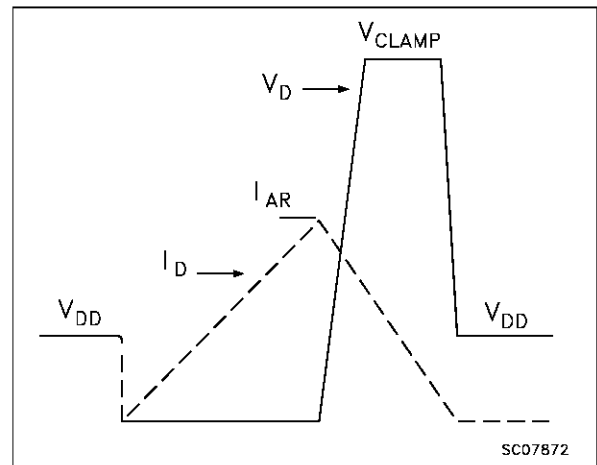
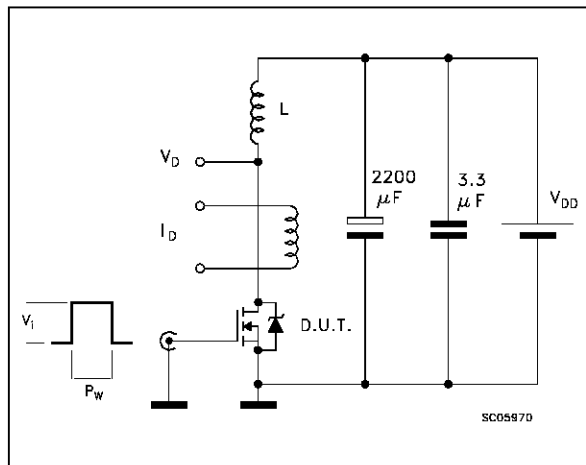


Fig. 3: Switching Times Test Circuits For Resistive Load

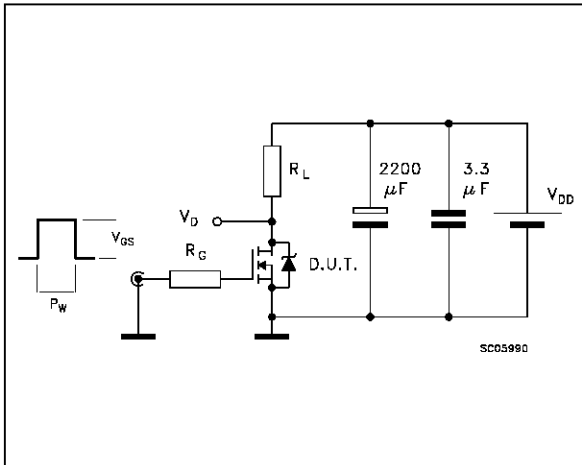


Fig. 4: Gate Charge test Circuit

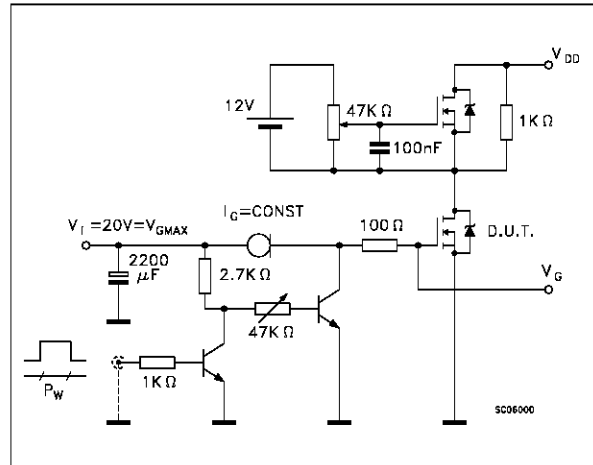
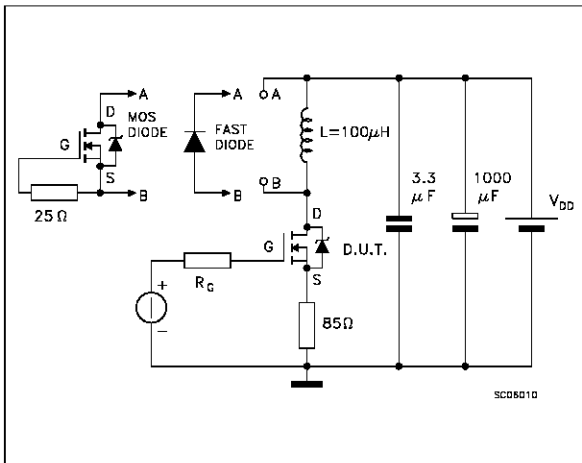


Fig. 5: Test Circuit For Inductive Load Switching And Diode Recovery Times



STP38N06

PSPICE PARAMETERS SUBCIRCUIT COMPONENTS

Symbol	Parameter	Value	Unit
S1	(V14_16<0) (See Power Mosfet Model Subcircuit)	ON	
S2	(V16_11<0) (See Power Mosfet Model Subcircuit)	ON	
LD	Drain Inductance	8	nH
LG	Gate Inductance	10	nH
LS	Source Inductance	10	nH
RDRAIN	Drain Resistance	1.9E ⁻²	Ω
RGATE	Gate Resistance	1	Ω
CGD	Gate Drain Capacitance	3.92	nF
CGS	Gate Source Capacitance	1.9	nF
ALFA	Drift Coefficient	1E ⁻³	V ⁻¹
RGN	Negative Bias Resistance	10	KΩ

DIODE DRAIN GATE (Depletion Capacitance)

Symbol	Parameter	Value	Unit
CJO	Zero Bias p-n Capacitance	2.6	nF
VJ	p-n Potential	0.1	V
M	p-n Grading Coefficient	0.6	

DIODE DRAIN SOURCE

Symbol	Parameter	Value	Unit
CJO	Zero Bias p-n Capacitance	7.8	nF
VJ	p-n Potential	0.1	V
M	p-n Grading Coefficient	0.6	
TT	Transit Time	20	nsec

N MOSFET

Symbol	Parameter	Value	Unit
L	Channel Length	1	μMeter
W	Channel Width	1	μMeter
LEVEL	Model Index	3	
TOX	Oxide Thickness	1	Meter
VTO	Zero Bias Threshold Voltage	3.25	V
U0	Surface Mobility	600	cm ² /VS
THETA	Mobility Modulation	0.005	V ⁻¹
Vmax	Maximum Drift Velocity	0	Meter/sec
KP	Trans Conductance Coefficient	28	Amp/V ²

For Transient Simulation Applicate U.I.C. (Use Initial Condition) Option

PSPICE NETLIST OF THE SUBCIRCUIT

.SUBCKT STP38N06 1 2 3
 *VALUE OF THE PACKAGE INDUCTANCES
 LS 1 11 10n
 LG 2 12 10n
 LD 3 13 7n

*RESISTANCE OF THE GATE
 POLYSILICON
 RG 12 16 1

*EPY AND DRIFT RESISTANCES
 RD 13 14 1.9e-02
 EDRI 14 15 POLY(2) (13 14) (13 11) 0 0 0 0
 1e-3

*CAPACITANCE GATE SOURCE
 CGS 16 11 1.90n

*OPTIONAL FOR NEGATIVE GATE BIAS
 *S2 51 11 11 16 SWITCH
 *CGN 51 16 3.92n
 *RGN 51 16 10k

*MILLER CAPACITANCE
 CGD 16 17 3.92n

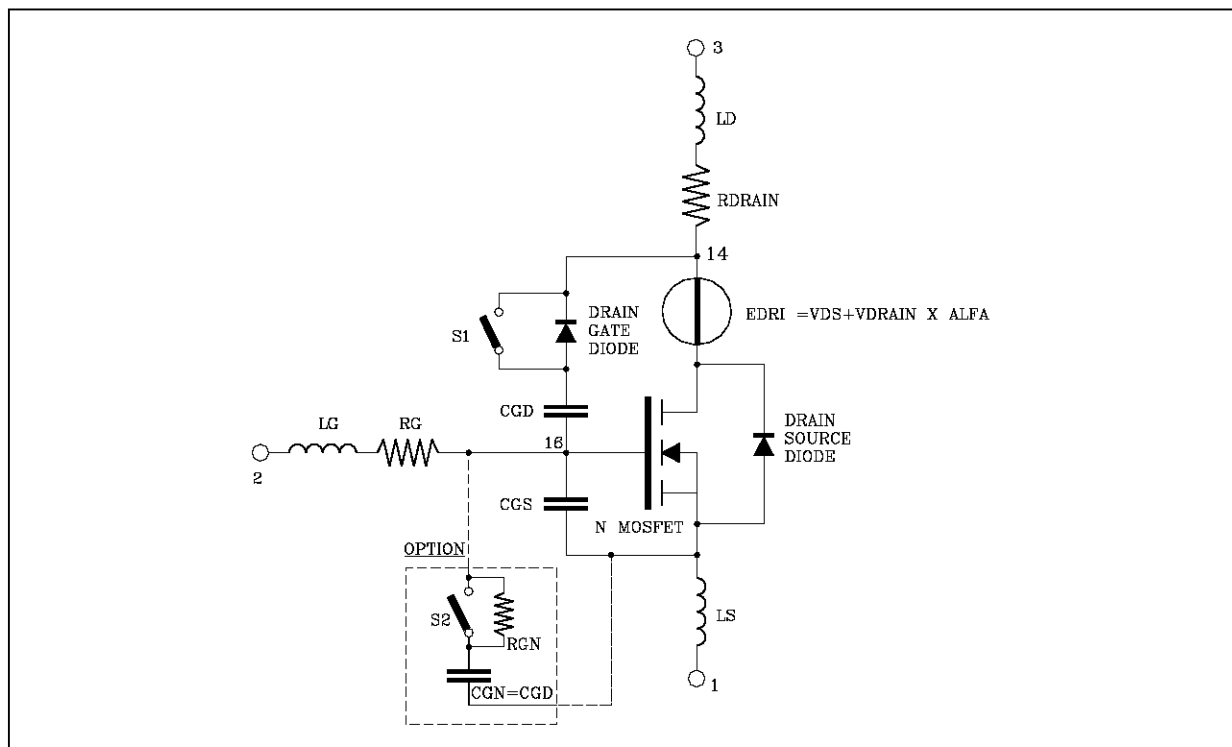
* DEPLETION CAPACITANCE
 DGD 17 14 DGD
 S1 17 14 16 14 SWITCH
 .MODEL DGD D +IS=
 +CJO=2.6n
 +Vj=.1
 +M=.6

.MODEL SWITCH VSWITCH
 +RON=1m
 +ROFF=1MEG
 +VON=0.1

* OUTPUT CAPACITANCE AND BODY DRAIN DIODE
 DBD 11 14 DBD
 .MODEL DBD D
 +TT=20n
 +CJO=7.8n
 +VJ=.1
 +M=.6

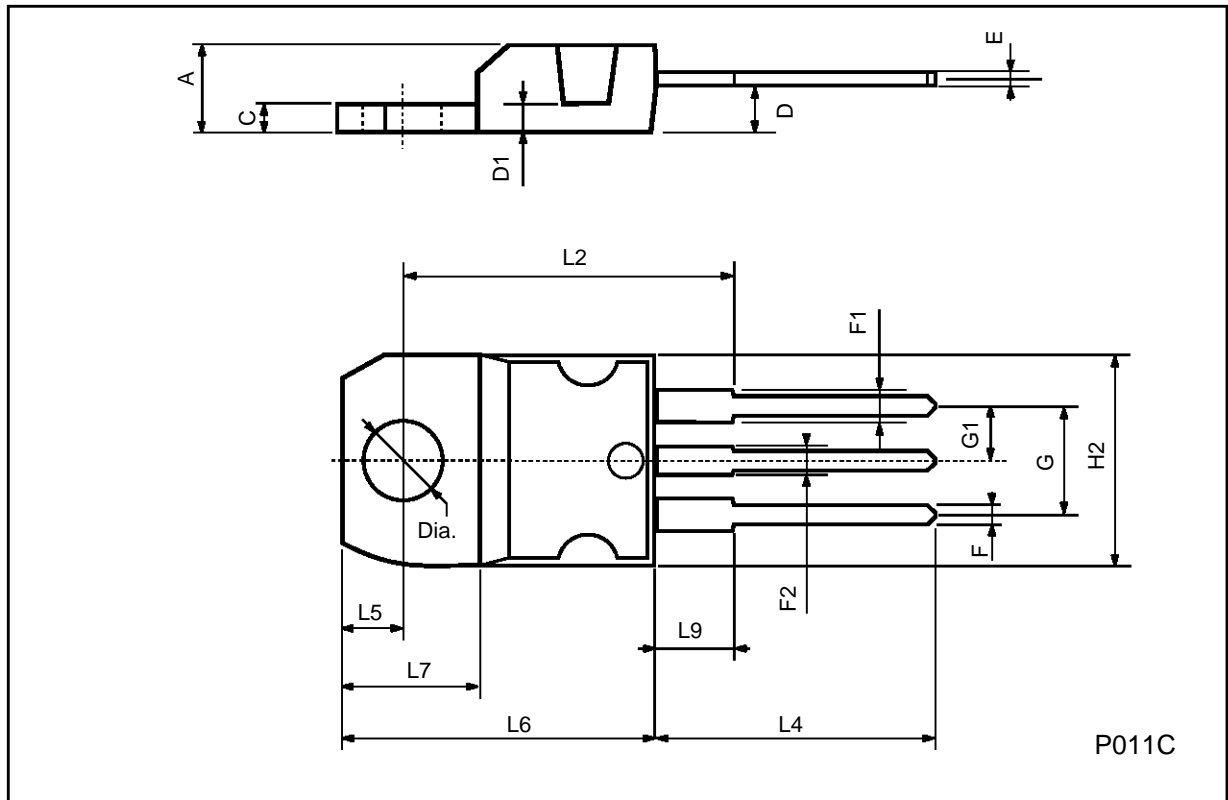
* MODEL OF THE MOSFET
 MMAIN 15 16 11 11 MMAIN L=1u W=1u
 .MODEL MMAIN NMOS
 +LEVEL=3
 +TOX=1
 +VTO=3.25
 +uo=600
 +THETA=0.005
 +VMAX=5e7
 +KP=28
 .ENDS

Power Mosfet Model Subcircuit



TO-220 MECHANICAL DATA

DIM.	mm			inch		
	MIN.	TYP.	MAX.	MIN.	TYP.	MAX.
A	4.40		4.60	0.173		0.181
C	1.23		1.32	0.048		0.051
D	2.40		2.72	0.094		0.107
D1		1.27			0.050	
E	0.49		0.70	0.019		0.027
F	0.61		0.88	0.024		0.034
F1	1.14		1.70	0.044		0.067
F2	1.14		1.70	0.044		0.067
G	4.95		5.15	0.194		0.203
G1	2.4		2.7	0.094		0.106
H2	10.0		10.40	0.393		0.409
L2		16.4			0.645	
L4	13.0		14.0	0.511		0.551
L5	2.65		2.95	0.104		0.116
L6	15.25		15.75	0.600		0.620
L7	6.2		6.6	0.244		0.260
L9	3.5		3.93	0.137		0.154
DIA.	3.75		3.85	0.147		0.151



Information furnished is believed to be accurate and reliable. However, SGS-THOMSON Microelectronics assumes no responsibility for the consequences of use of such information nor for any infringement of patents or other rights of third parties which may result from its use. No license is granted by implication or otherwise under any patent or patent rights of SGS-THOMSON Microelectronics. Specifications mentioned in this publication are subject to change without notice. This publication supersedes and replaces all information previously supplied. SGS-THOMSON Microelectronics products are not authorized for use as critical components in life support devices or systems without express written approval of SGS-THOMSON Microelectronics.

© 1995 SGS-THOMSON Microelectronics - All Rights Reserved

SGS-THOMSON Microelectronics GROUP OF COMPANIES

Australia - Brazil - France - Germany - Hong Kong - Italy - Japan - Korea - Malaysia - Malta - Morocco - The Netherlands -
Singapore - Spain - Sweden - Switzerland - Taiwan - Thailand - United Kingdom - U.S.A

...

This datasheet has been downloaded from:

www.EEworld.com.cn

Free Download

Daily Updated Database

100% Free Datasheet Search Site

100% Free IC Replacement Search Site

Convenient Electronic Dictionary

Fast Search System

www.EEworld.com.cn