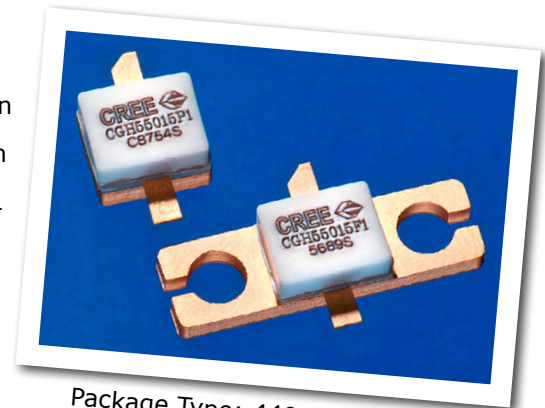


CGH55015F1 / CGH55015P1

15 W, 5500-5800 MHz, GaN HEMT for WiMAX

Cree's CGH55015F1/CGH55015P1 is a gallium nitride (GaN) high electron mobility transistor (HEMT) designed specifically for high efficiency, high gain and wide bandwidth capabilities, which makes the CGH55015F1/CGH55015P1 ideal for 5.5-5.8 GHz WiMAX and linear amplifier applications. The transistor is available in both screw-down, flange and solder-down, pill packages. Based on appropriate external match adjustment, the CGH55015F1/CGH55015P1 is suitable for 4.9 - 5.5 GHz applications as well.



Package Type: 440196 & 440166
PN: CGH55015P1 & CGH55015F1

Typical Performance 5.5-5.8GHz ($T_c = 25^\circ\text{C}$)

Parameter	5.50 GHz	5.65 GHz	5.80 GHz	Units
Small Signal Gain	10.7	11.0	10.7	dB
EVM at $P_{AVE} = 23$ dBm	1.9	1.8	2.0	%
EVM at $P_{AVE} = 33$ dBm	1.5	1.5	1.7	%
Drain Efficiency at $P_{AVE} = 33$ dBm	25	25	25	%
Input Return Loss	11.5	14.5	10.5	dB

Note:

Measured in the CGH55015-TB amplifier circuit, under 802.16 OFDM, 3.5 MHz Channel BW, 1/4 Cyclic Prefix, 64 QAM Modulated Burst, 5 ms Burst, Symbol Length of 59, Coding Type RS-CC, Coding Rate Type 2/3, PAR = 9.8 dB @ 0.01 % Probability on CCDF.

Features



- 5.5 - 5.8 GHz Operation
- 15 W Peak Power Capability
- >10.5 dB Small Signal Gain
- 2 W $P_{AVE} < 2.0$ % EVM
- 25 % Efficiency at 2 W Average Power
- Designed for WiMAX Fixed Access 802.16-2004 OFDM Applications
- Designed for Multi-carrier DOCSIS Applications

Large Signal Models Available for SiC & GaN



Absolute Maximum Ratings (not simultaneous) at 25 °C Case Temperature

Parameter	Symbol	Rating	Units	Conditions
Drain-Source Voltage	V_{DSS}	84	Volts	25 °C
Gate-to-Source Voltage	V_{GS}	-10, +2	Volts	25 °C
Power Dissipation	P_{DISS}	7	Watts	
Storage Temperature	T_{STG}	-65, +150	°C	
Operating Junction Temperature	T_J	225	°C	
Maximum Forward Gate Current	I_{GMAX}	4.0	mA	25 °C
Maximum Drain Current ¹	I_{DMAX}	1.5	A	25 °C
Soldering Temperature ²	T_S	245	°C	
Screw Torque	τ	60	in-oz	
Thermal Resistance, Junction to Case ³	$R_{\theta JC}$	8.0	°C/W	85 °C
Case Operating Temperature ³	T_C	-40, +150	°C	30 seconds

Note:

¹ Current limit for long term, reliable operation.

² Refer to the Application Note on soldering at www.cree.com/products/wireless_appnotes.asp

³ Measured for the CGH55015 at $P_{DISS} = 7W$.

Electrical Characteristics ($T_c = 25^\circ C$)

Characteristics	Symbol	Min.	Typ.	Max.	Units	Conditions
DC Characteristics¹						
Gate Threshold Voltage	$V_{GS(th)}$	-3.8	-3.0	-2.3	V_{DC}	$V_{DS} = 10 V, I_D = 3.6 mA$
Gate Quiescent Voltage	$V_{GS(Q)}$	-	-2.7	-	V_{DC}	$V_{DS} = 28 V, I_D = 115 mA$
Saturated Drain Current	I_{DS}	2.9	3.5	-	A	$V_{DS} = 6.0 V, V_{GS} = 2.0 V$
Drain-Source Breakdown Voltage	V_{BR}	120	-	-	V_{DC}	$V_{GS} = -8 V, I_D = 3.6 mA$
RF Characteristics^{2,3} ($T_c = 25^\circ C, F_0 = 5.65 GHz$ unless otherwise noted)						
Small Signal Gain	G_{SS}	8.5	11.0	-	dB	$V_{DD} = 28 V, I_{DQ} = 115 mA$
Drain Efficiency ⁴	η	20.6	25	-	%	$V_{DD} = 28 V, I_{DQ} = 115 mA, P_{AVE} = 2.0 W$
Error Vector Magnitude	EVM	-	2.0	2.5	%	$V_{DD} = 28 V, I_{DQ} = 115 mA, P_{AVE} = 2.0 W$
Output Mismatch Stress	VSWR	-	-	10 : 1	Ψ	No damage at all phase angles, $V_{DD} = 28 V, I_{DQ} = 115 mA,$ $P_{AVE} = 2.0 W$
Dynamic Characteristics						
Input Capacitance	C_{GS}	-	4.5	-	pF	$V_{DS} = 28 V, V_{gs} = -8 V, f = 1 MHz$
Output Capacitance	C_{DS}	-	1.3	-	pF	$V_{DS} = 28 V, V_{gs} = -8 V, f = 1 MHz$
Feedback Capacitance	C_{GD}	-	0.2	-	pF	$V_{DS} = 28 V, V_{gs} = -8 V, f = 1 MHz$

Notes:

¹ Measured on wafer prior to packaging.

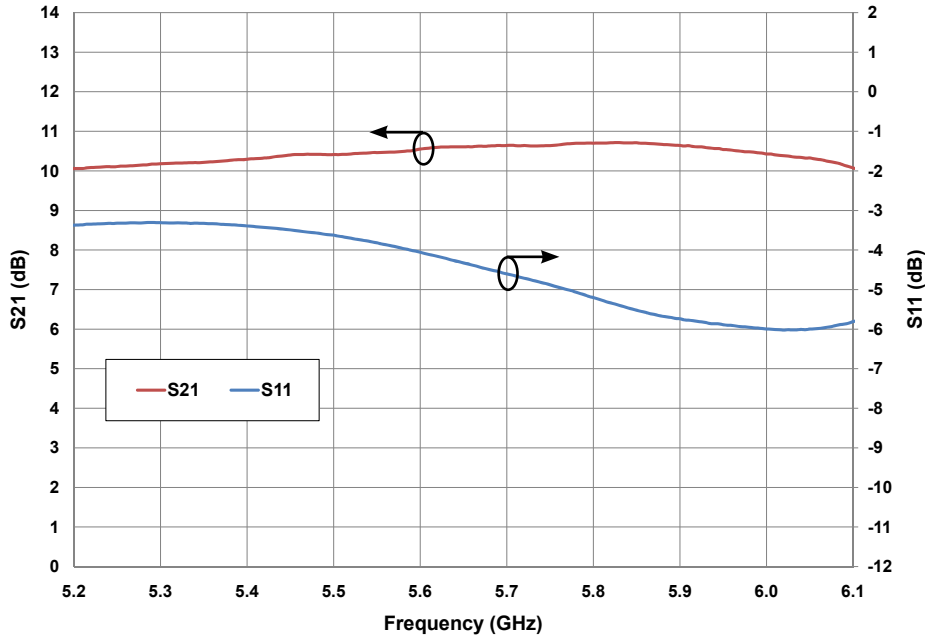
² Measured in the CGH55015-TB test fixture.

³ Under 802.16 OFDM, 3.5 MHz Channel BW, 1/4 Cyclic Prefix, 64 QAM Modulated Burst, 5 ms Burst, Symbol Length of 59, Coding Type RS-CC, Coding Rate Type 2/3, PAR = 9.8 dB @ 0.01 % Probability on CCDF.

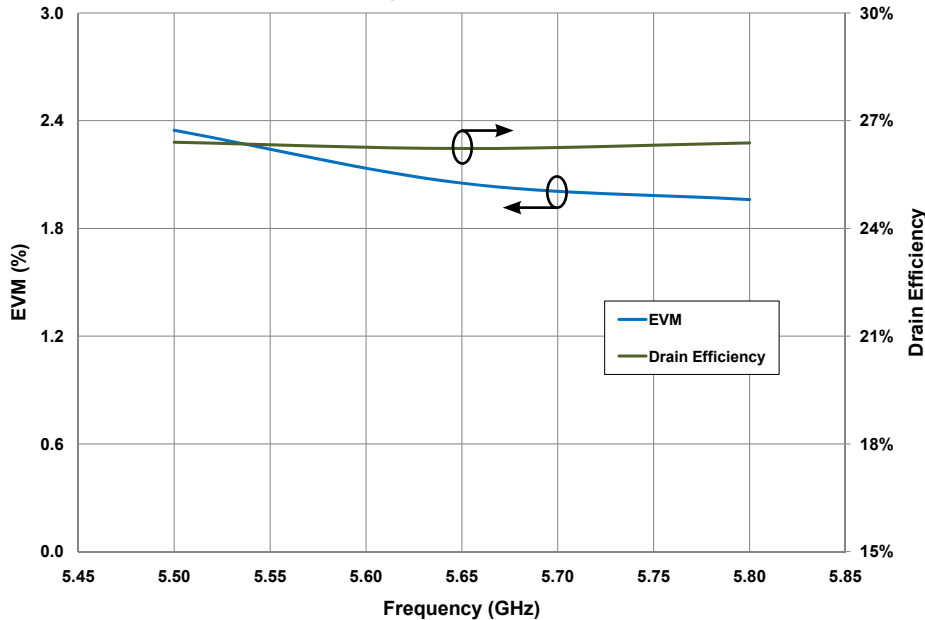
⁴ Drain Efficiency = P_{OUT} / P_{DC} .

Typical WiMAX Performance

**Small Signal S-Parameters vs Frequency of
CGH55015 in the CGH55015-TB**
 $V_{DD} = 28\text{ V}, I_{DQ} = 115\text{ mA}$



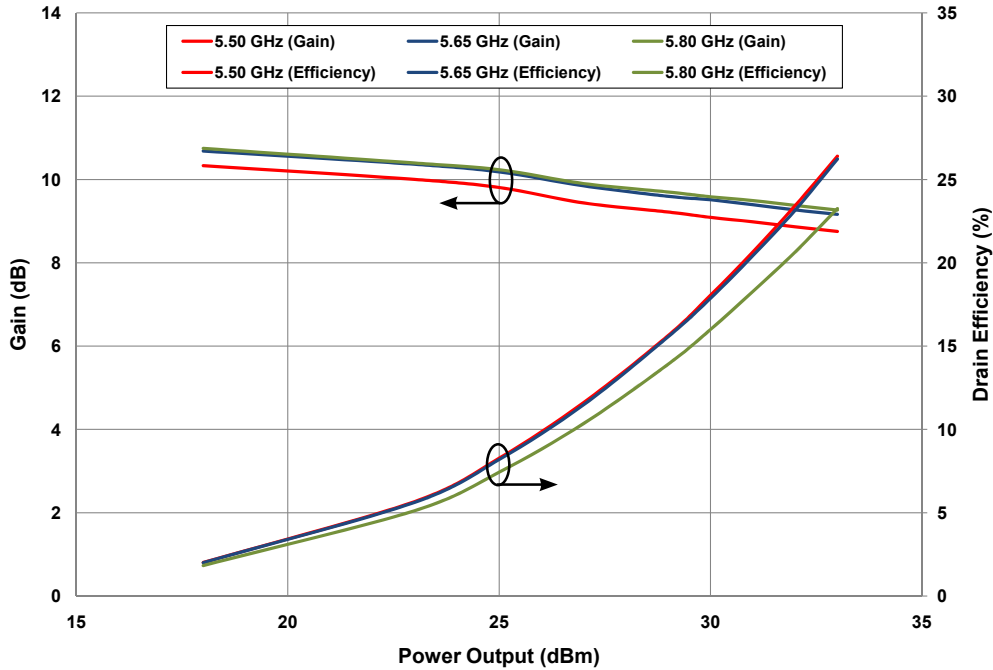
**EVM and Efficiency of CGH55015 vs. Frequency
in the CGH55015-TB**
 $V_{DD} = 28\text{ V}, I_{DQ} = 115\text{ mA}, P_{OUT} = 2.5\text{ W}$



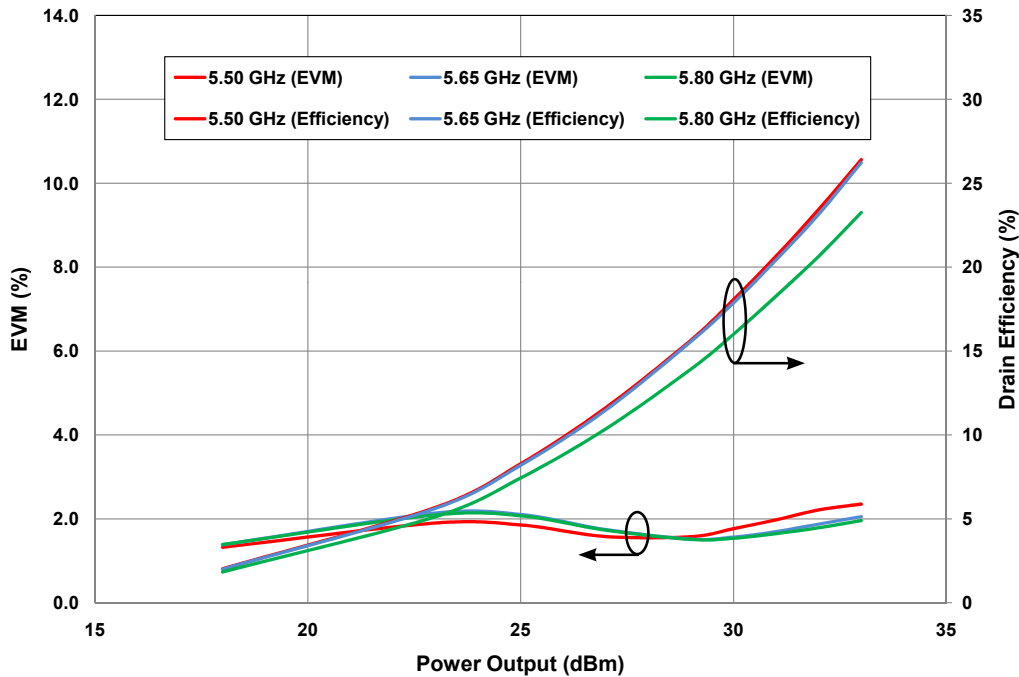
Note:
Under 802.16 OFDM, 3.5 MHz Channel BW, 1/4 Cyclic Prefix, 64 QAM Modulated Burst, Symbol Length of 59, Coding Type RS-CC, Coding Rate Type 2/3, PAR = 9.8 dB @ 0.01 % Probability on CCDF.

Typical WiMAX Performance

Drain Efficiency and Gain vs Power Output of the CGH55015 in the CGH55015-TB
 $V_{DD} = 28\text{ V}$, $I_{DQ} = 115\text{ mA}$, 802.16-2004 OFDM, PAR = 9.8 dB



Typical EVM and Drain Efficiency vs Output Power of CGH55015 in the CGH55015-TB at 5.50 GHz, 5.65 GHz, 5.80 GHz, 802.16-2004 OFDM, PAR=9.8 dB

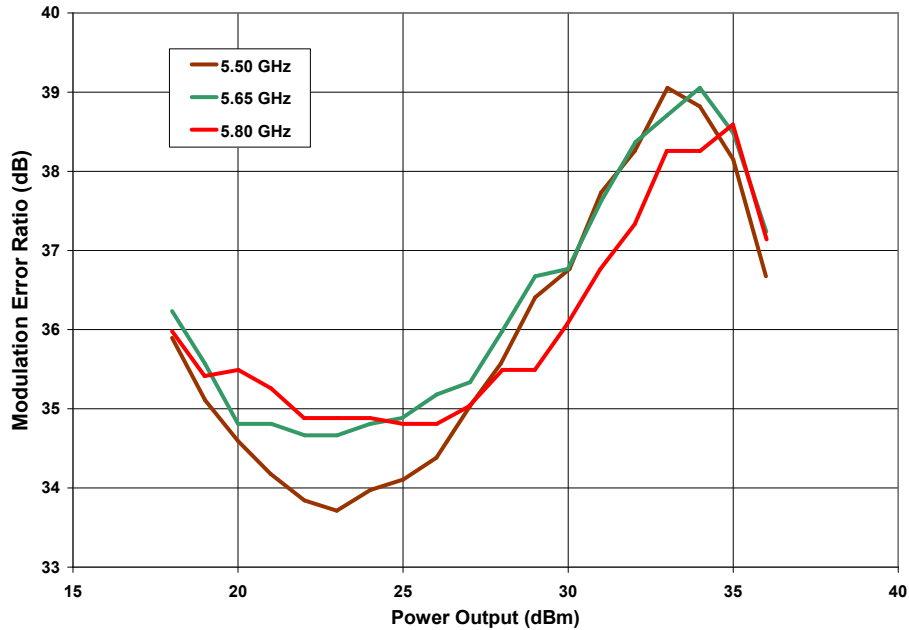


Note:

Under 802.16 OFDM, 3.5 MHz Channel BW, 1/4 Cyclic Prefix, 64 QAM Modulated Burst, Symbol Length of 59, Coding Type RS-CC, Coding Rate Type 2/3, PAR = 9.8 dB @ 0.01 % Probability on CCDF.

Typical DOCSIS Performance

DOCSIS Modulation Error Ratio vs Output Power of CGH55015

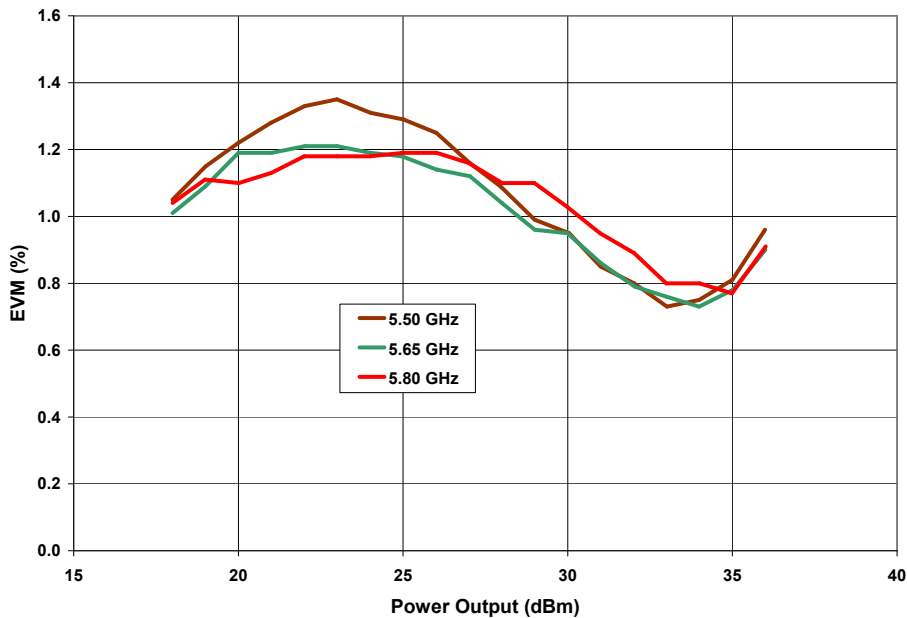


Note:

MER is the metric of choice for cable systems and can be related to EVM by the following equation:

$$EVM(\%) = 100 \times 10^{-((MER_{dB} + MTA_{dB})/20)}$$
 MTA is the "maximum-to-average constellation power ratio" which varies with the modulation type: MTA = 0 for BPSK and QPSK; 2.55 for 16QAM and 8QAM-DS; 3.68 for 64QAM and 32QAM-DS; 4.23 for 256QAM and 128QAM-DS

DOCSIS EVM vs Output Power of CGH55015 in Broadband Amplifier Circuit

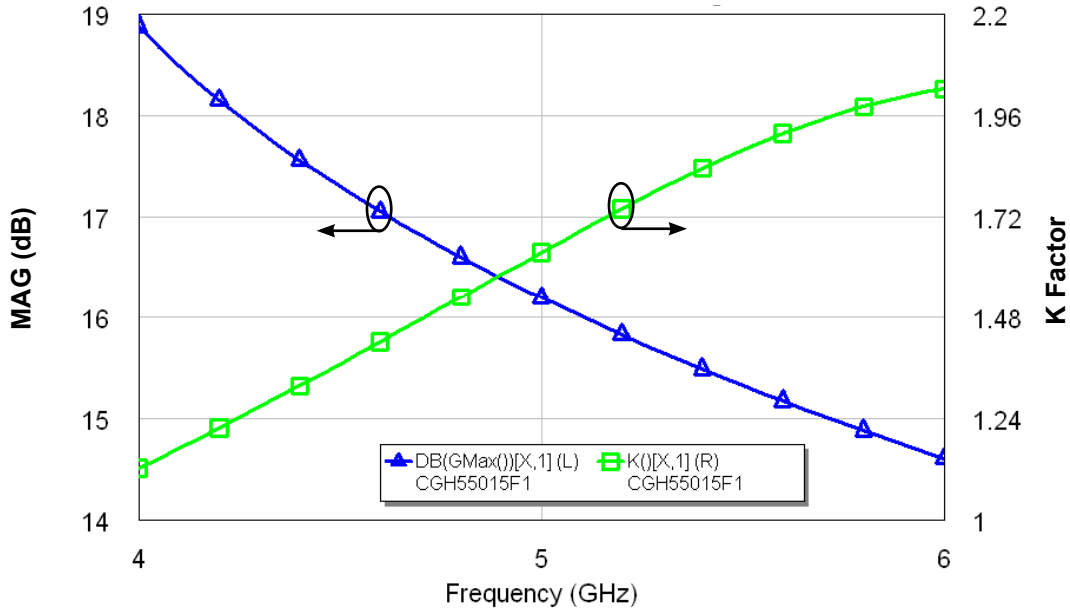


Note:

Under DOCSIS, 6.0 MHz Channel BW, 64 QAM, PN23, Filter Alpha 0.18, PAR = 6.7dB.

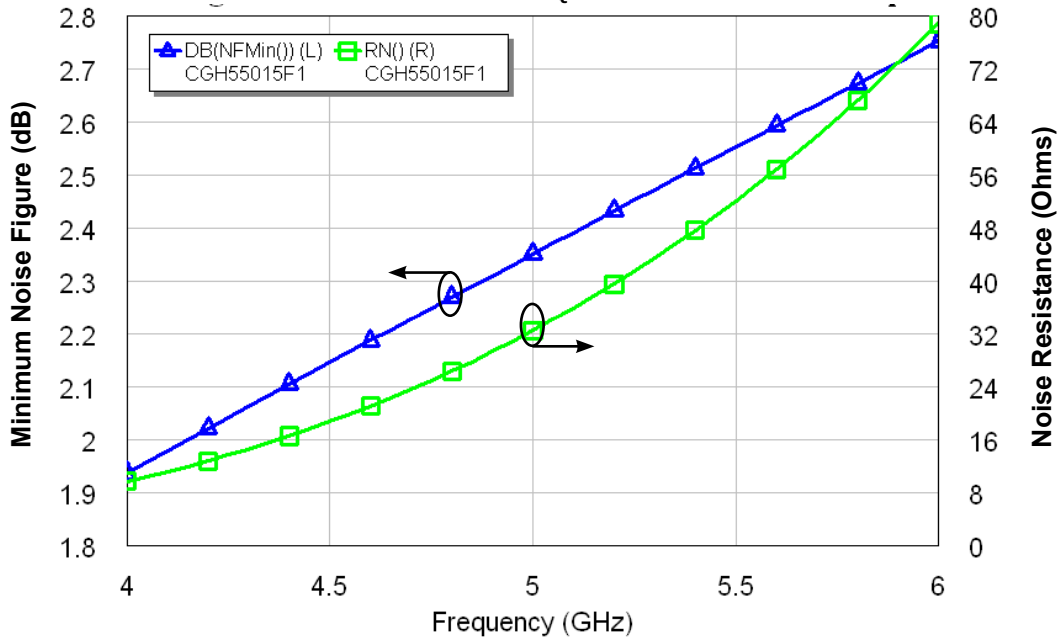
Typical Performance

Simulated Maximum Available Gain and K Factor of the CGH55015F1/P1
 $V_{DD} = 28\text{ V}$, $I_{DQ} = 115\text{ mA}$

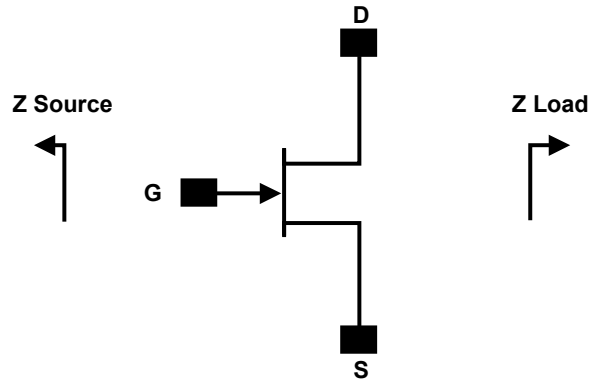


Typical Noise Performance

Simulated Minimum Noise Figure and Noise Resistance vs Frequency of the CGH55015F1/P1
 $V_{DD} = 28\text{ V}$, $I_{DQ} = 115\text{ mA}$



Source and Load Impedances



Frequency (MHz)	Z Source	Z Load
5500	8.7 - j30.2	21.6 - j4.7
5650	10.2 - j26.9	24.2 - j5.5
5800	12.3 - j24.3	26.5 - j7.5

Note 1. $V_{DD} = 28V$, $I_{DQ} = 115 \text{ mA}$ in the 440166 package.

Note 2. Impedances are extracted from the CGH55015-TB demonstration amplifier and are not source and load pull data derived from the transistor.

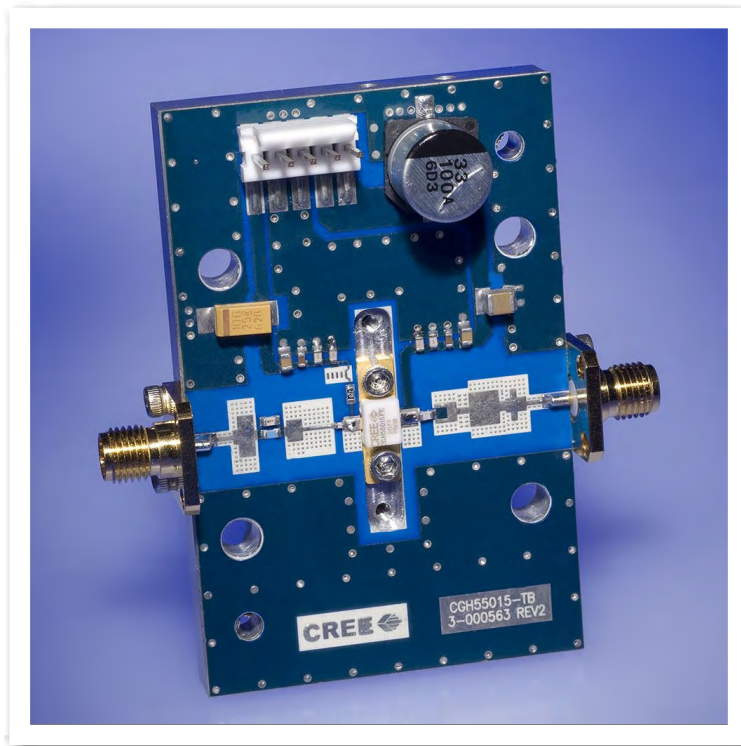
Electrostatic Discharge (ESD) Classifications

Parameter	Symbol	Class	Test Methodology
Human Body Model	HBM	1A > 250 V	JEDEC JESD22 A114-D
Charge Device Model	CDM	1 < 200 V	JEDEC JESD22 C101-C

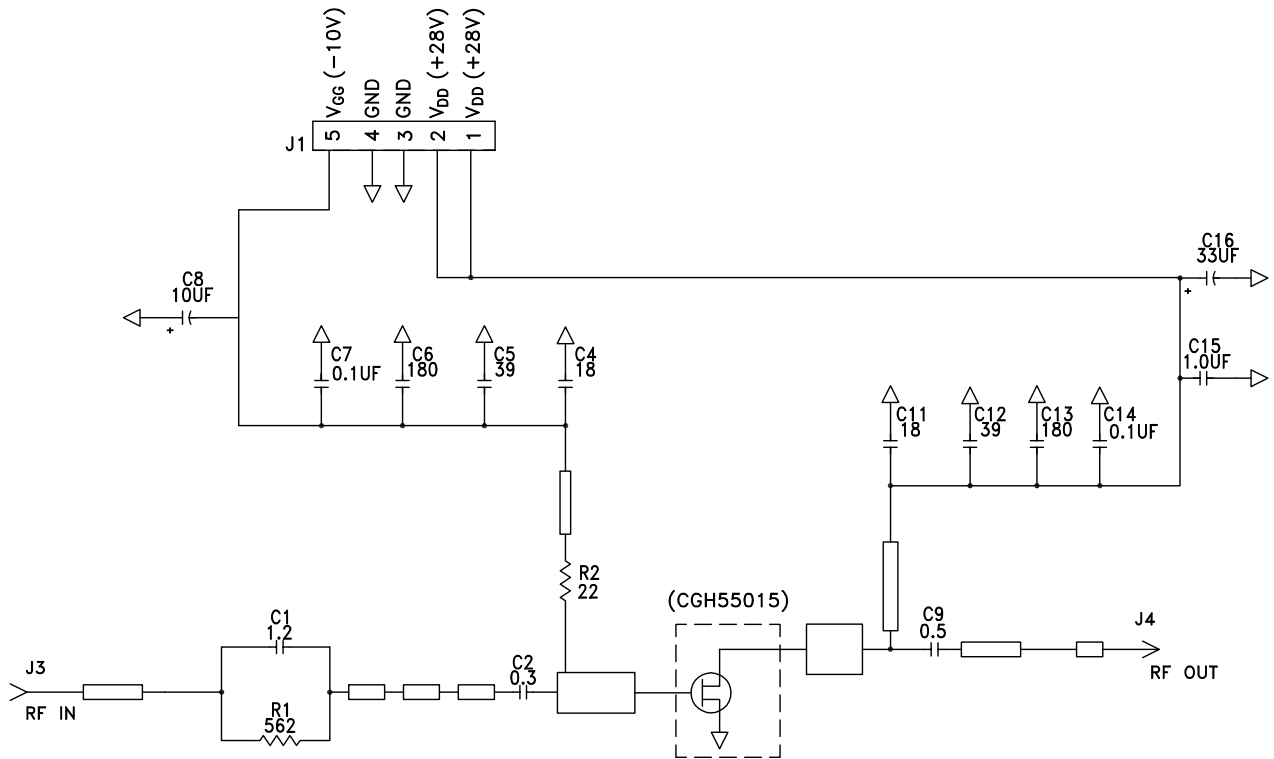
CGH55015-TB Demonstration Amplifier Circuit Bill of Materials

Designator	Description	Qty
C1	CAP, 1.2pF, +/-0.1 pF, 0603, ATC 600S	1
C2	CAP, 0.3pF, +/-0.05 pF, 0402, ATC 600L	1
C9	CAP, 0.5pF, +/-0.05pF, 0603, ATC 600S	1
C4,C11	CAP, 18pF, +/-5%, 0603, ATC 600S	2
C5,C12	CAP, 39pF +/-5%, 0603, ATC 600S	2
C6,C13	CAP, CER, 180pF, 50V, +/-5%, COG, 0603	2
C7,C14	CAP, CER, 0.1UF, 50V, +/-10%, X7R, 0805	2
C8	CAP, 10UF, 16V, SMT, TANTALUM	1
C15	CAP, 1.0UF ±10%, 100V, 1210, X7R	1
C16	CAP, 33UF, 100V, ELECT, FK, SMD	1
R1	RES, 1/16W, 0603, 1%, 562 OHMS	1
R2	RES, 1/16W, 0603, 1%, 22 OHMS	1
J1	HEADER RT> PLZ .1 CEN LK 5 POS	1
J3,J4	CONN, SMA, FLANGE	2
-	PCB, RO4350B, Er = 3.48, h = 20 mil	1
-	CGH55015	1

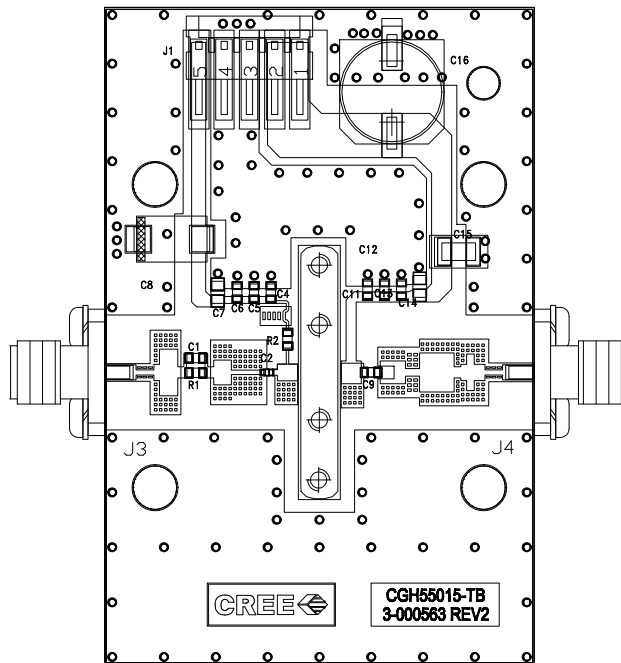
CGH55015-TB Demonstration Amplifier Circuit



CGH55015-TB Demonstration Amplifier Circuit Schematic



CGH55015-TB Demonstration Amplifier Circuit Outline



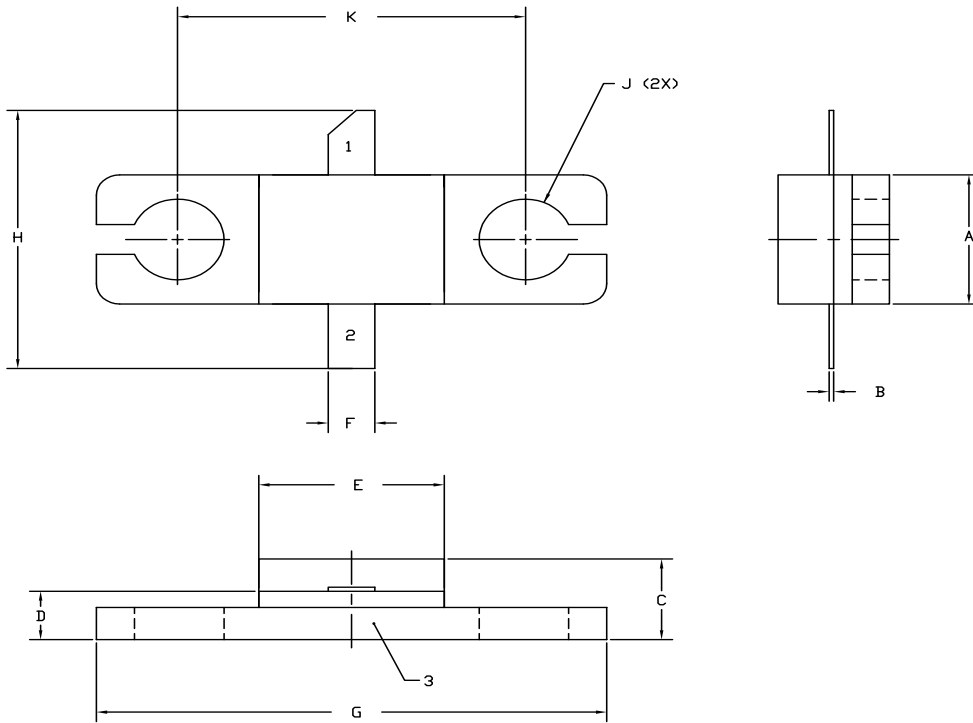


Typical Package S-Parameters for CGH55015
(Small Signal, $V_{DS} = 28\text{ V}$, $I_{DQ} = 115\text{ mA}$, angle in degrees)

Frequency	Mag S11	Ang S11	Mag S21	Ang S21	Mag S12	Ang S12	Mag S22	Ang S22
500 MHz	0.909	-125.16	17.56	107.52	0.026	20.86	0.330	-95.81
600 MHz	0.903	-134.72	15.15	101.24	0.027	15.25	0.318	-103.71
700 MHz	0.898	-142.24	13.28	95.96	0.027	10.66	0.312	-109.87
800 MHz	0.895	-148.34	11.79	91.38	0.027	6.76	0.309	-114.77
900 MHz	0.893	-153.43	10.58	87.30	0.028	3.37	0.310	-118.75
1.0 GHz	0.891	-157.78	9.59	83.58	0.028	0.34	0.312	-122.07
1.2 GHz	0.889	-164.93	8.06	76.89	0.028	-4.92	0.320	-127.35
1.4 GHz	0.888	-170.72	6.94	70.90	0.027	-9.46	0.332	-131.53
1.6 GHz	0.888	-175.64	6.08	65.34	0.027	-13.51	0.347	-135.09
1.8 GHz	0.888	-179.99	5.41	60.10	0.027	-17.20	0.362	-138.30
2.0 GHz	0.889	176.04	4.86	55.09	0.026	-20.60	0.378	-141.33
2.2 GHz	0.889	172.35	4.42	50.24	0.025	-23.76	0.394	-144.27
2.4 GHz	0.890	168.84	4.05	45.53	0.025	-26.70	0.410	-147.16
2.6 GHz	0.891	165.46	3.73	40.93	0.024	-29.44	0.426	-150.04
2.8 GHz	0.891	162.16	3.46	36.41	0.024	-31.97	0.441	-152.92
3.0 GHz	0.892	158.90	3.23	31.95	0.023	-34.32	0.455	-155.81
3.2 GHz	0.893	155.67	3.03	27.55	0.022	-36.45	0.469	-158.73
3.4 GHz	0.893	152.43	2.85	23.19	0.021	-38.38	0.482	-161.68
3.6 GHz	0.894	149.18	2.70	18.85	0.021	-40.07	0.494	-164.66
3.8 GHz	0.894	145.89	2.56	14.53	0.020	-41.52	0.506	-167.68
4.0 GHz	0.894	142.54	2.44	10.22	0.019	-42.71	0.516	-170.74
4.1 GHz	0.895	140.85	2.38	8.07	0.019	-43.19	0.521	-172.29
4.2 GHz	0.895	139.14	2.33	5.91	0.019	-43.59	0.526	-173.85
4.3 GHz	0.895	137.40	2.28	3.75	0.018	-43.92	0.530	-175.43
4.4 GHz	0.895	135.65	2.23	1.58	0.018	-44.16	0.535	-177.02
4.5 GHz	0.895	133.88	2.18	-0.59	0.018	-44.32	0.539	-178.62
4.6 GHz	0.895	132.08	2.14	-2.77	0.017	-44.38	0.543	179.75
4.7 GHz	0.895	130.26	2.10	-4.96	0.017	-44.35	0.546	178.11
4.8 GHz	0.895	128.41	2.06	-7.15	0.017	-44.23	0.550	176.45
4.9 GHz	0.895	126.53	2.03	-9.36	0.017	-44.02	0.553	174.77
5.0 GHz	0.895	124.63	1.99	-11.58	0.016	-43.71	0.556	173.07
5.1 GHz	0.895	122.69	1.96	-13.81	0.016	-43.30	0.559	171.35
5.2 GHz	0.895	120.72	1.93	-16.05	0.016	-42.81	0.561	169.60
5.3 GHz	0.895	118.73	1.90	-18.31	0.016	-42.22	0.564	167.83
5.4 GHz	0.895	116.70	1.87	-20.59	0.016	-41.56	0.566	166.04
5.5 GHz	0.895	114.63	1.84	-22.89	0.016	-40.83	0.568	164.21
5.6 GHz	0.895	112.53	1.81	-25.20	0.016	-40.05	0.570	162.36
5.7 GHz	0.895	110.39	1.79	-27.53	0.016	-39.22	0.572	160.47
5.8 GHz	0.895	108.22	1.77	-29.89	0.016	-38.35	0.574	158.55
5.9 GHz	0.895	106.00	1.74	-32.27	0.016	-37.48	0.575	156.60
6.0 GHz	0.895	103.75	1.72	-34.67	0.016	-36.62	0.576	154.61

Download this s-parameter file in ".s2p" format at http://www.cree.com/products/wireless_s-parameters.asp

Product Dimensions CGH55015F1 (Package Type — 440166)



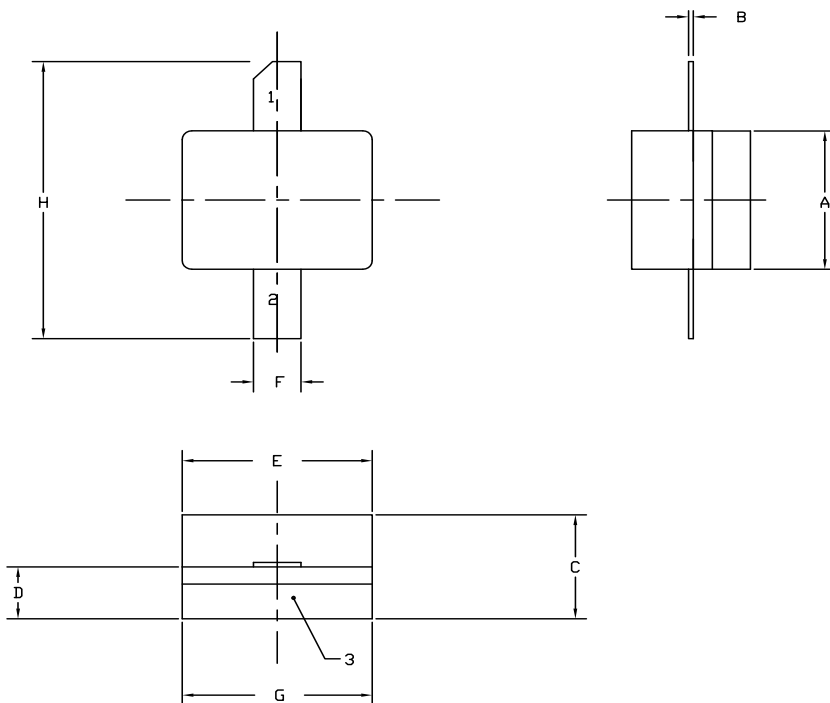
NOTES:

1. DIMENSIONING AND TOLERANCING PER ANSI Y14.5M, 1982.
2. CONTROLLING DIMENSION: INCH.
3. ADHESIVE FROM LID MAY EXTEND A MAXIMUM OF 0.020" BEYOND EDGE OF LID.
4. LID MAY BE MISALIGNED TO THE BODY OF THE PACKAGE BY A MAXIMUM OF 0.008" IN ANY DIRECTION.
5. ALL PLATED SURFACES ARE NI/AU

DIM	INCHES		MILLIMETERS	
	MIN	MAX	MIN	MAX
A	0.155	0.165	3.94	4.19
B	0.004	0.006	0.10	0.15
C	0.115	0.135	2.92	3.43
D	0.057	0.067	1.45	1.70
E	0.195	0.205	4.95	5.21
F	0.045	0.055	1.14	1.40
G	0.545	0.555	13.84	14.09
H	0.280	0.360	7.11	9.14
J	ϕ .100		2.54	
K	0.375		9.53	

PIN 1. GATE
PIN 2. DRAIN
PIN 3. SOURCE

Product Dimensions CGH55015P1 (Package Type — 440196)



NOTES:

1. DIMENSIONING AND TOLERANCING PER ANSI Y14.5M, 1982.
2. CONTROLLING DIMENSION: INCH.
3. ADHESIVE FROM LID MAY EXTEND A MAXIMUM OF 0.020" BEYOND EDGE OF LID.
4. LID MAY BE MISALIGNED TO THE BODY OF THE PACKAGE BY A MAXIMUM OF 0.008" IN ANY DIRECTION.
5. ALL PLATED SURFACES ARE NI/AU

DIM	INCHES		MILLIMETERS	
	MIN	MAX	MIN	MAX
A	0.155	0.165	3.94	4.19
B	0.003	0.006	0.10	0.15
C	0.115	0.135	2.92	3.17
D	0.057	0.067	1.45	1.70
E	0.195	0.205	4.95	5.21
F	0.045	0.055	1.14	1.40
G	0.195	0.205	4.95	5.21
H	0.280	0.360	7.11	9.14

PIN 1. GATE
PIN 2. DRAIN
PIN 3. SOURCE



Disclaimer

Specifications are subject to change without notice. Cree, Inc. believes the information contained within this data sheet to be accurate and reliable. However, no responsibility is assumed by Cree for any infringement of patents or other rights of third parties which may result from its use. No license is granted by implication or otherwise under any patent or patent rights of Cree. Cree makes no warranty, representation or guarantee regarding the suitability of its products for any particular purpose. "Typical" parameters are the average values expected by Cree in large quantities and are provided for information purposes only. These values can and do vary in different applications and actual performance can vary over time. All operating parameters should be validated by customer's technical experts for each application. Cree products are not designed, intended or authorized for use as components in applications intended for surgical implant into the body or to support or sustain life, in applications in which the failure of the Cree product could result in personal injury or death or in applications for planning, construction, maintenance or direct operation of a nuclear facility.

For more information, please contact:

Cree, Inc.
4600 Silicon Drive
Durham, North Carolina, USA 27703
www.cree.com/wireless

Sarah Miller
Marketing & Export
Cree, RF Components
1.919.407.5302

Ryan Baker
Marketing
Cree, RF Components
1.919.407.7816

Tom Dekker
Sales Director
Cree, RF Components
1.919.407.5639