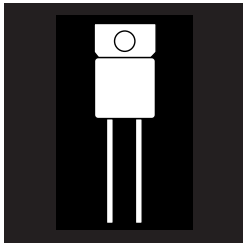


OM4003ST OM4005ST OM4007ST  
OM4004ST OM4006ST

# 10 AMP SCHOTTKY RECTIFIER IN SMALL HERMETIC PACKAGE



**10 Amp, 60 To 100 Volt Schottky Rectifiers**

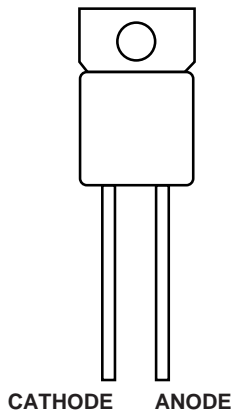
## FEATURES

- Small Size
- Very Low Forward Voltage
- Low Recovered Charge
- Rugged Package Design
- High Efficiency for Low Voltage Supplies
- Hermetic and Isolated Package
- Available Screened To MIL-S-19500, TX, TXV And S Levels

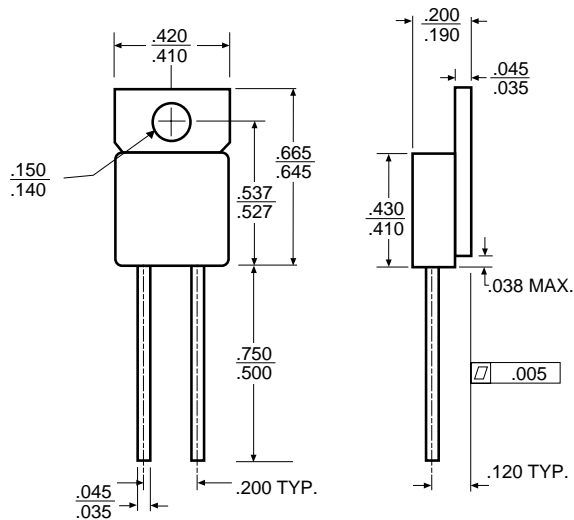
## DESCRIPTION

This series of Schottky barrier diodes offers low forward voltage and high output current for its small package size. The OM4003 series was designed for demanding applications where small size, light weight and high reliability are required. These devices are ideal replacements for TO-3, DO-4 or DO-5 packages. All products are available Hi-Rel screened.

### PIN CONNECTION



### MECHANICAL OUTLINE



3.2

## MAXIMUM RATINGS

Rating	Symbol	OM					Unit
		4003	4004	4005	4006	4007	
Peak Repetitive Reverse Voltage	$V_{RRM}$	60	70	80	90	100	Volts
Working Peak Reverse Voltage	$V_{RWM}$						
DC Blocking Voltage	$V_R$						
Average Rectified Forward Current (Rated $V_R$ ) $T_C = 100^\circ C$	$I_{F(AV)}$	10					Amps
Peak Repetitive Forward Current (Rated $V_R$ , Square Wave, 20 kHz) $T_C = 100^\circ C$	$I_{FRM}$	20					Amps
Nonrepetitive Peak Surge Current (Surge applied at rated load conditions halfwave, single phase, 60 Hz)	$I_{FSM}$	150					Amps
Peak Repetitive Reverse Surge Current (2 $\mu s$ , 1 kHz)	$I_{RRM}$	0.5					Amps
Operating Junction Temperature	$T_J$	-65 to +150					$^\circ C$
Storage Temperature	$T_{stg}$	-65 to +175					$^\circ C$

### THERMAL CHARACTERISTICS

Maximum Thermal Resistance	$R_{\theta JC}$	3	$^\circ C/W$
----------------------------	-----------------	---	--------------

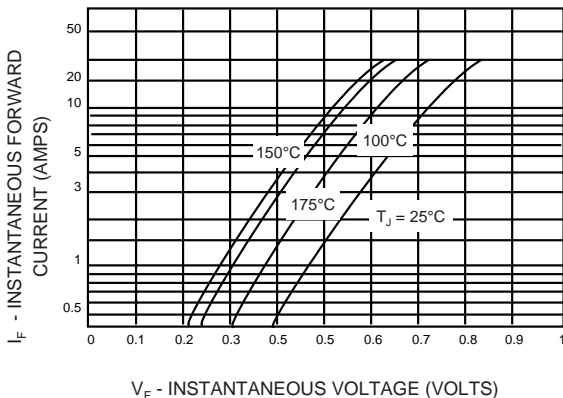
### ELECTRICAL CHARACTERISTICS

Maximum Instantaneous Forward Voltage (1)	$V_F$		Volts
( $i_F = 10$ Amp, $T_C = 125^\circ C$ )		.725	
( $i_F = 10$ Amp, $T_C = 25^\circ C$ )		.825	
Maximum Instantaneous Forward Reverse Current (1)	$i_R$		mA
(Related dc Voltage, $T_C = 125^\circ C$ )		150	
(Related dc Voltage, $T_C = 25^\circ C$ )		5	

(1) Pulse Test: Pulse Width = 300  $\mu s$ , Duty Cycle 2%

## 3.2

Typical Forward Voltage



Typical Reverse Current

