

HVR3509

PRV : 9000 Volts

Io : 350 mA

FEATURES :

- * Glass passivated junction chip
- * High current capability
- * High surge current capability
- * High reliability
- * Low reverse current
- * Low forward voltage drop
- * **Pb / RoHS Free**

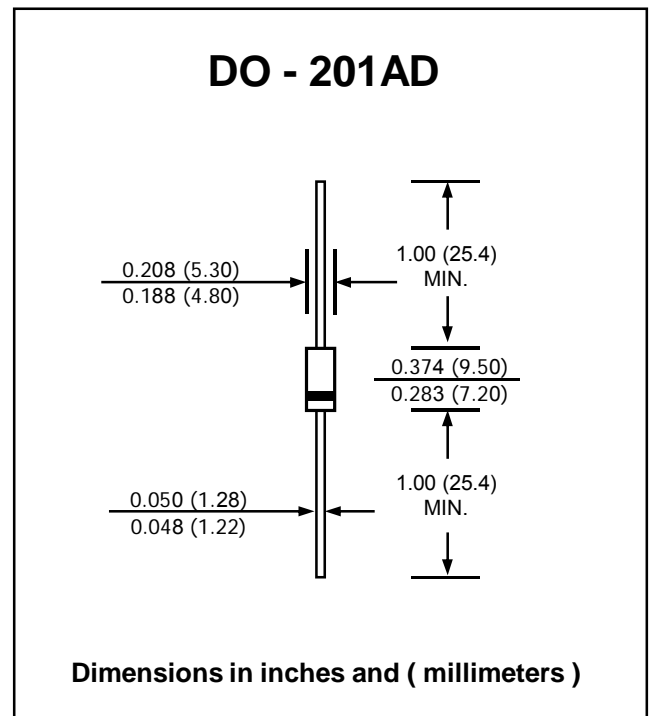
APPLICATION :

- * Micro-wave Oven

MECHANICAL DATA :

- * Case : DO-201AD Molded plastic
- * Epoxy : UL94V-O rate flame retardant
- * Lead : Axial lead solderable per MIL-STD-202, Method 208 guaranteed
- * Polarity : Color band denotes cathode end
- * Mounting position : Any
- * Weight : 1.16 grams

HIGH VOLTAGE RECTIFIER DIODE



MAXIMUM RATINGS AND ELECTRICAL CHARACTERISTICS

Rating at 25 °C ambient temperature unless otherwise specified.

RATING	SYMBOL	VALUE	UNIT
Maximum Repetitive Peak Reverse Voltage	V_{RRM}	9000	V
Maximum RMS Voltage	V_{RMS}	6300	V
Maximum DC Blocking Voltage	V_{DC}	9000	V
Maximum Average Forward Current	$I_{F(AV)}$	350	mA
Maximum Non-repetitive Peak Reverse Current	I_{RSM}	100	mA
Maximum Peak Forward Surge Current 8.3ms Single half sine wave Superimposed on rated load	I_{FSM}	30	A
Maximum Peak Forward Voltage at $I_F = 350$ mA	V_F	8.0	V
Avalanche Breakdown Voltage at $I_R = 100$ μ A	$V_{(BR)}$	9.5	kV
Maximum DC Reverse Current at $V_{RM}=V_{RRM}$	I_R	5.0	μ A