

# GR2A - GR2M

# GLASS PASSIVATED JUNCTION FAST RECOVERY RECTIFIERS

**PRV : 50 - 1000 Volts**

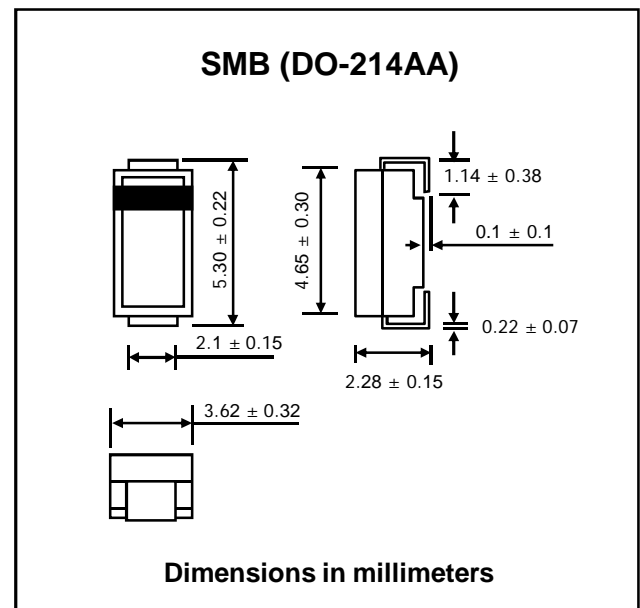
**Io : 2.0 Amperes**

### FEATURES :

- \* Glass passivated chip
- \* High current capability
- \* High reliability
- \* Low reverse current
- \* Low forward voltage drop
- \* Fast switching for high efficiency
- \* Pb / RoHS Free

### MECHANICAL DATA :

- \* Case : SMB Molded plastic
- \* Epoxy : UL94V-0 rate flame retardant
- \* Lead : Lead Formed for Surface Mount
- \* Polarity : Color band denotes cathode end
- \* Mounting position : Any
- \* Weight : 0.1079 gram



## MAXIMUM RATINGS AND ELECTRICAL CHARACTERISTICS

Rating at 25 °C ambient temperature unless otherwise specified.  
Single phase, half wave, 60 Hz, resistive or inductive load.  
For capacitive load, derate current by 20%.

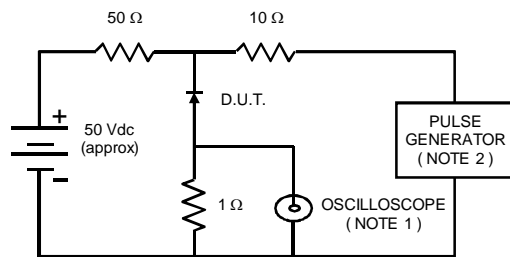
RATING	SYMBOL	GR2A	GR2B	GR2D	GR2G	GR2J	GR2K	GR2M	UNIT
Maximum Recurrent Peak Reverse Voltage	V <sub>RRM</sub>	50	100	200	400	600	800	1000	V
Maximum RMS Voltage	V <sub>RMS</sub>	35	70	140	280	420	560	700	V
Maximum DC Blocking Voltage	V <sub>DC</sub>	50	100	200	400	600	800	1000	V
Maximum Average Forward Current Ta = 75 °C	I <sub>F(AV)</sub>	2.0							A
Peak Forward Surge Current, 8.3ms Single half sine wave superimposed on rated load (JEDEC Method)	I <sub>FSM</sub>	75							A
Maximum Peak Forward Voltage at I <sub>F</sub> = 2.0 A	V <sub>F</sub>	1.3							V
Maximum DC Reverse Current Ta = 25 °C at Rated DC Blocking Voltage Ta = 100 °C	I <sub>R</sub>	10							μA
	I <sub>R(H)</sub>	500							μA
Maximum Reverse Recovery Time ( Note 1 )	T <sub>rr</sub>	150			250		500		ns
Typical Junction Capacitance ( Note 2 )	C <sub>J</sub>	15							pf
Junction Temperature Range	T <sub>J</sub>	- 65 to + 150							°C
Storage Temperature Range	T <sub>STG</sub>	- 65 to + 150							°C

### Notes :

- ( 1 ) Reverse Recovery Test Conditions : I<sub>F</sub> = 0.5 A, I<sub>R</sub> = 1.0 A, I<sub>rr</sub> = 0.25 A.
- ( 2 ) Measured at 1.0 MHz and applied reverse voltage of 4.0 V<sub>DC</sub>

## RATING AND CHARACTERISTIC CURVES ( GR2A - GR2M )

FIG.1 - REVERSE RECOVERY TIME CHARACTERISTIC AND TEST CIRCUIT DIAGRAM



NOTES : 1. Rise Time = 7 ns max., Input Impedance = 1 megaohm, 22 pF.  
2. Rise time = 10 ns max., Source Impedance = 50 ohms.  
3. All Resistors = Non-inductive Types.

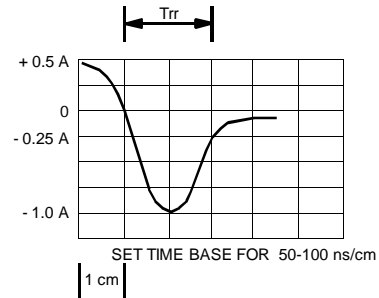


FIG.2 - DERATING CURVE FOR OUTPUT RECTIFIED CURRENT

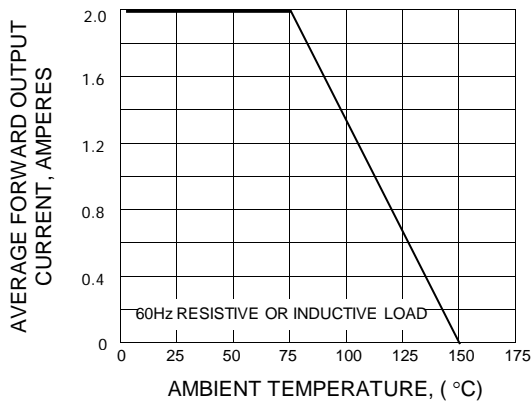


FIG.3 - MAXIMUM NON-REPETITIVE PEAK FORWARD SURGE CURRENT

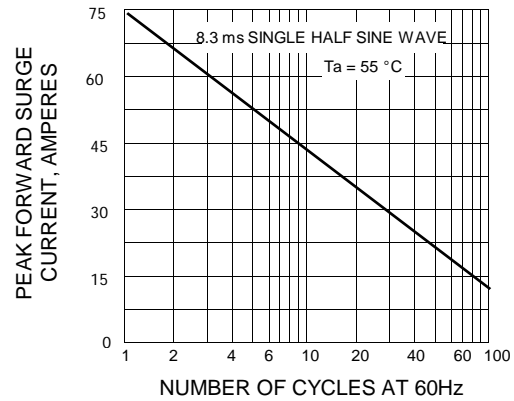


FIG.4 - TYPICAL FORWARD CHARACTERISTICS

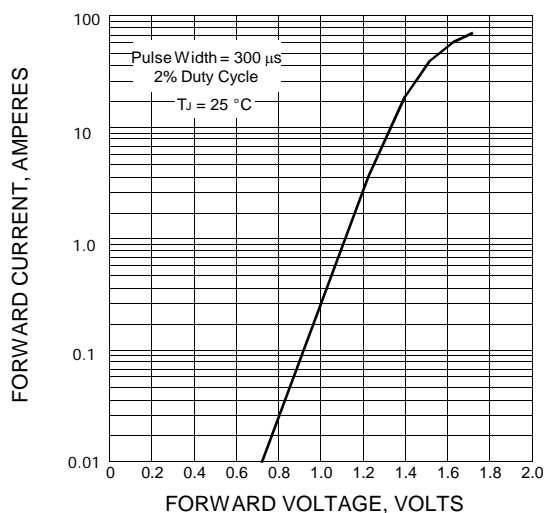


FIG.5 - TYPICAL REVERSE CHARACTERISTICS

