

### Power Modules - Diode/Thyristor

#### FEATURES

- High surge capability
- Qualified for industrial level
- Thick copper baseplate
- Easy mounting on heatsink

#### TYPICAL APPLICATIONS

- Power supplies
- Machine tools control
- High power drives
- Welders
- Medium traction

MAJOR RATINGS AND CHARACTERISTICS			
PARAMETER	TEST CONDITIONS	VALUES	UNITS
$I_{T(AV)}, I_{F(AV)}$		130	A
	$T_{Case}$	85	°C
$I_{T(RMS)}, I_{F(RMS)}$		289	A
	$T_{Case}$	85	°C
$I_{TSM}, I_{FSM}$	50 Hz	4570	A
	60 Hz	4980	A
$I^2t$	50 Hz	94.50	kA <sup>2</sup> s
	60 Hz	103.00	kA <sup>2</sup> s
$V_{DRM}/V_{RRM}$		200 to 1600	V
$t_q$	Typical	125	µs
$T_J$		-40 to 125	°C

#### ELECTRICAL SPECIFICATIONS

VOLTAGE RATINGS				
SERIES	VOLTAGE CODE	$V_{DRM}/V_{RRM}$ , MAX. RE- PETITIVE PEAK AND OFF-STATE VOLTAGE	$V_{RSM}$ , MAX. NON- REPETITIVE PEAK VOLTAGE (V)	$I_{DRM}/I_{RRM}$ , MAX. at $T_J$ = $T_{J(Max.)}$ (mA)
DT130/...	02	200	300	50
DT130/...	04	400	500	
DT130/...	06	600	700	
DT130/...	08	800	900	
DT130/...	10	1000	1100	
DT130/...	12	1200	1300	
DT130/...	14	1330	1500	
DT130/...	16	1520	1700	

## Power Modules - Diode/Thyristor

MAXIMUM ALLOWABLE RATINGS					
SYMBOL	DESCRIPTION	TEST CONDITIONS		VALUE	UNITS
$I_{T,F(AV)}$	Maximum average on-state current at heatsink temperature	180° conduction, half sine wave		130	A
				85	°C
$I_{T,F(RMS)}$	Maximum RMS on-state current	DC at 25°C heatsink temperature		289	A
$I_{TSM}, I_{FSM}$	Maximum peak, one-cycle non-repetitive surge current	t = 10 ms	100% $V_{RRM}$ reapplied	Sinusoidal half wave, initial $T_J = T_J \text{ max.}$	kA
		t = 8.3 ms			
		t = 10 ms	No voltage reapplied		
		t = 8.3 ms			
$I^2t$	Maximum $I^2t$	t = 10 ms	100% $V_{RRM}$ reapplied		kA <sup>2</sup> s
		t = 8.3 ms			
		t = 10 ms	No voltage reapplied		
		t = 8.3 ms			
$I^2t^{1/2}$	Maximum $I^2t^{1/2}$	t = 0.1 to 10 ms, no voltage reapplied		1130	kA <sup>2</sup> s <sup>1/2</sup>
$V_{T,F(T0)}$	Low level threshold voltage	(16.7% × π × $I_{T(AV)} < I < π × I_{T(AV)}$ ), $T_J = T_J \text{ max.}$		0.80	V
$r_T$	Low level on-state slope resistance			1.99	mΩ
$V_{TM}, V_{FM}$	Maximum on-state voltage	$I_{pk} = 408A$ , 50Hz half sine pulse, $T_J = T_J \text{ max.}$		1.63	V
$I_H$	Maximum holding current	$T_J = 25°C$ , anode supply 12V resistive load		500	mA
$I_L$	Typical latching current			300	

SWITCHING					
SYMBOL	DESCRIPTION	TEST CONDITIONS		VALUE	UNITS
dI/dt	Maximum non-repetitive rate of rise of turned-on current	Gate drive 20 V, 20 Ω, $t_r \leq 1 \mu s$ , $T_J = T_J \text{ max.}$ , anode voltage $\leq 80\% V_{DRM}$		500	A/ $\mu s$
$t_d$	Typical delay time	Gate current 1 A, $dI_g/dt = 1 A/\mu s$ , $V_d = 0.67$		0.7	$\mu s$
$t_q$	Typical turn-off time			125	

BLOCKING					
SYMBOL	DESCRIPTION	TEST CONDITIONS		VALUE	UNITS
dV/dt	Maximum critical rate of rise of off-state voltage	$T_J = T_J \text{ max.}$ Linear to 80% rated $V_{DRM}$		1000	V/ $\mu s$
$I_{RRM}, I_{DRM}$	Maximum peak reverse and off-	$T_J = T_J \text{ max.}$ , rated $V_{DRM}/V_{RRM}$ applied		50	mA

## Power Modules - Diode/Thyristor

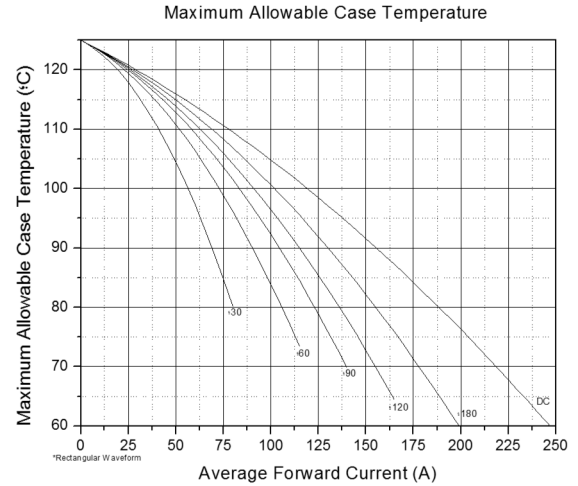
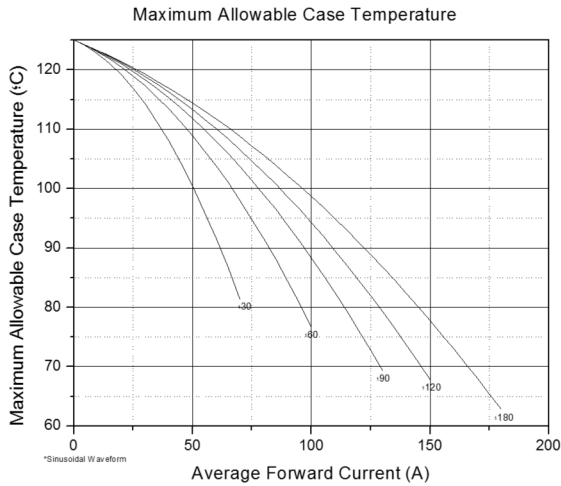
TRIGGERING						
SYMBOL	DESCRIPTION	TEST CONDITIONS	VALUE		UNITS	
			TYP.	MAX.		
$P_{GM}$	Maximum peak gate power	$T_J = T_J \text{ max.}, t_p \leq 5\text{ms}$	10		W	
$P_{G(AV)}$	Maximum average gate power	$T_J = T_J \text{ max.}, f = 50\text{Hz}, d\% = 50$	3			
$I_{GM}$	Maximum peak gate current	$T_J = T_J \text{ max.}, t_p \leq 5\text{ms}$	1		A	
$-V_{GM}$	Maximum negative gate voltage	$T_J = T_J \text{ max.}, t_p \leq 5\text{ms}$	2		V	
$I_{GT}$	DC gate current to trigger	$T_J = -40^\circ\text{C}$	Maximum required gate trigger/current/voltage are the lowest values which will trigger all units, 12V anode to cathode applied	-	300	mA
		$T_J = 25^\circ\text{C}$		80	150	
$V_{GT}$	DC gate voltage to trigger	$T_J = -40^\circ\text{C}$		-	4	V
		$T_J = 25^\circ\text{C}$		-	2	
$V_{GD}$	DC gate voltage not to trigger	$T_J = T_J \text{ max.}$	0.25		V	

THERMAL AND MECHANICAL SPECIFICATIONS					
SYMBOL	DESCRIPTION	TEST CONDITIONS	VALUE	UNITS	
$T_J$	Maximum operating junction temperature	-	-40 to 125	°C	
$T_{Stg}$	Maximum storage temperature	-	-40 to 150		
$R_{thJ-hs}$	Maximum thermal resistance, junction to heatsink	DC	0.100	°C/W	
		180° sine wave	0.107		
		120° rectangular wave	0.113		
$R_{thC-hs}$	Maximum thermal resistance, case to heat-sink	Mtg. Surface smooth, flat, greased	0.050		
-	Mounting force, $\pm 10\%$	To terminal (To heatsink)	3(5)	N.m	
-	Approximate weight	-	200	g	
-	Case style	Modified	TO-240AA	JEDEC	

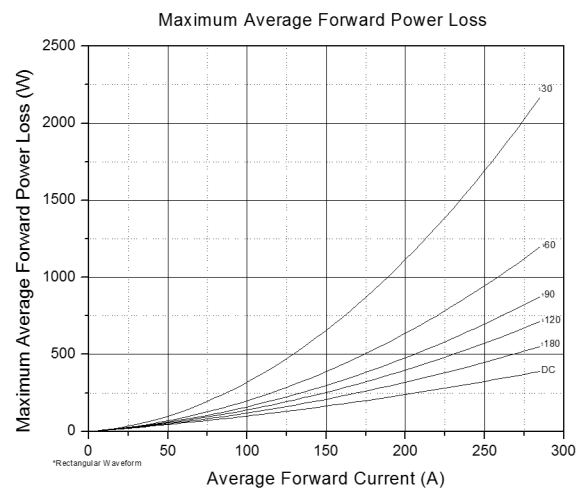
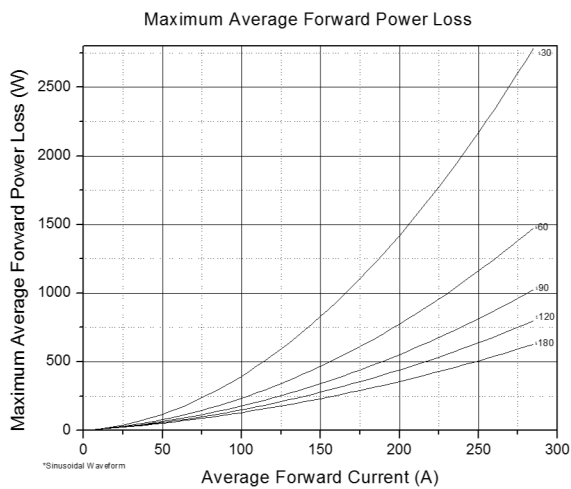
CURRENT FORM FACTOR								
FORM FACTOR	CONDUCTION ANGLE	15°	30°	45°	60°	90°	120°	180°
		Sine wave		31.956	15.832	10.452	7.721	4.933
Rectangular wave		24.000	12.000	8.000	6.000	4.000	3.000	2.000

### Power Modules - Diode/Thyristor

#### CURRENT RATINGS CHARACTERISTICS

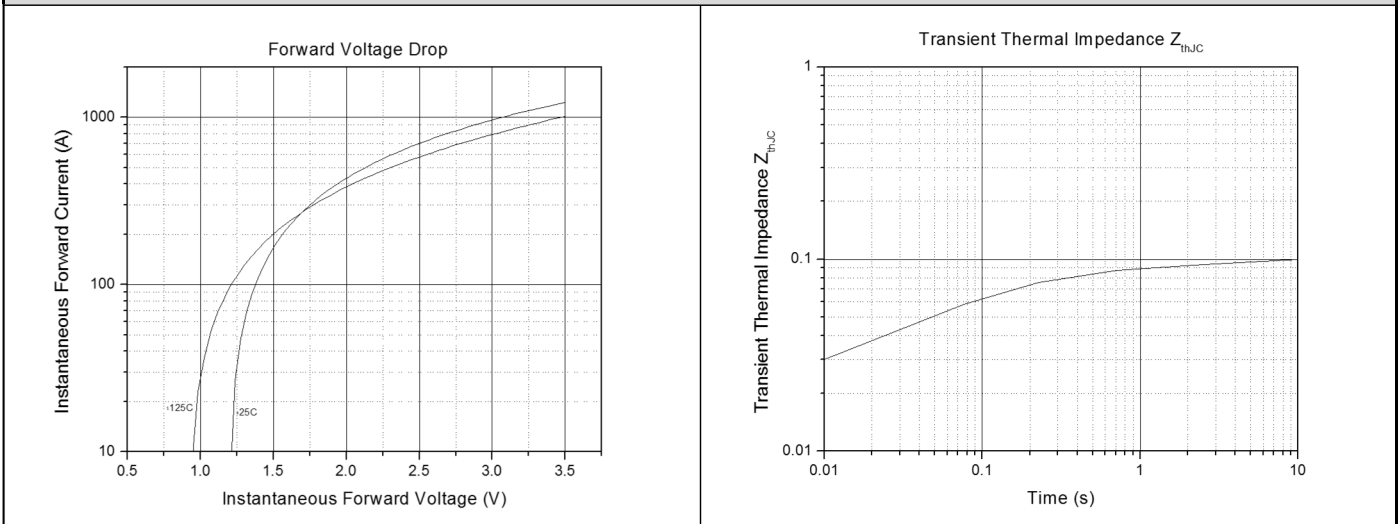


#### ON-STATE POWER LOSS CHARACTERISTICS

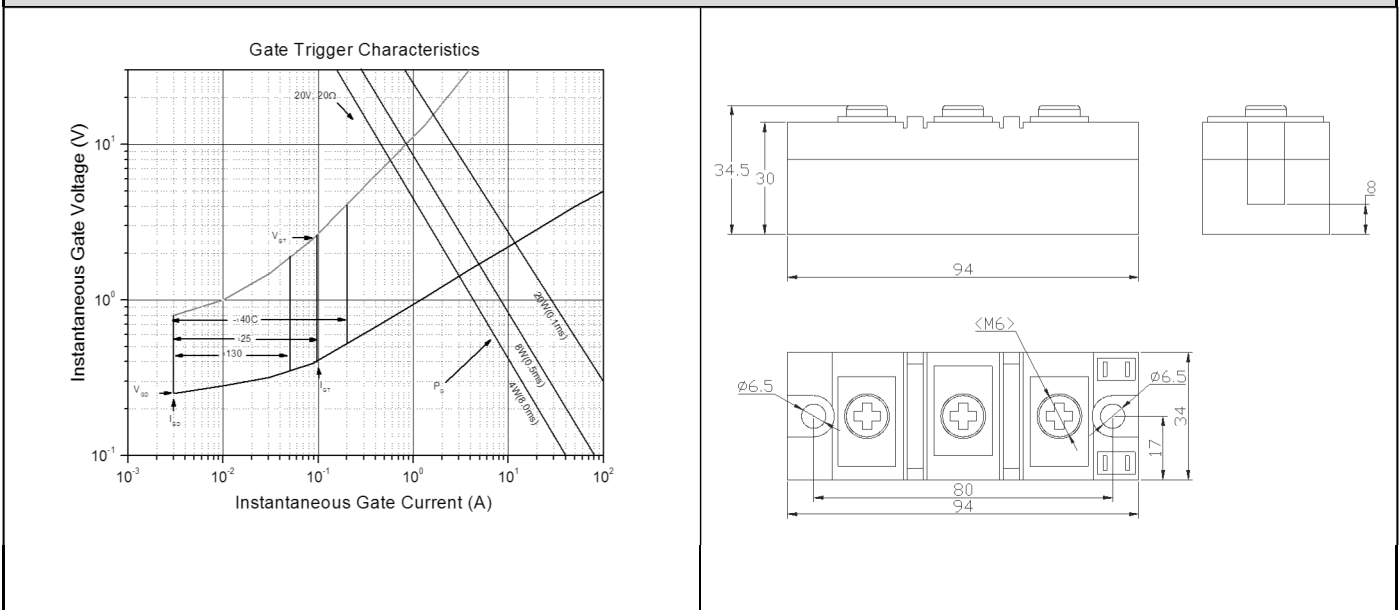


### Power Modules - Diode/Thyristor

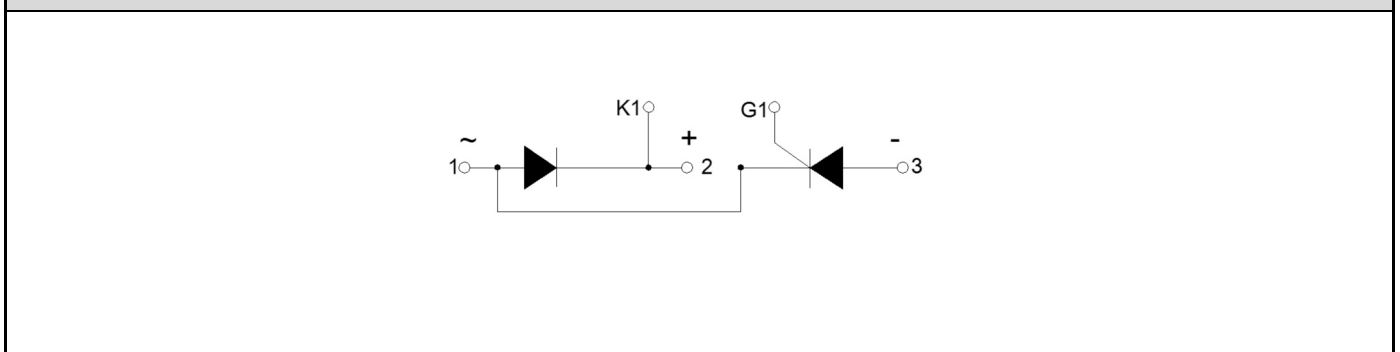
#### FORWARD VOLTAGE DROP / THERMAL IMPEDANCE CHARACTERISTICS



#### GATE TRIGGER / OUTLINE CHARACTERISTICS



#### CIRCUIT CONFIGURATION



### Power Modules - Diode/Thyristor

**ORDERING INFORMATION**

**Device code**

DT	130	/	16	-	-	-
①	②	③	④	⑤	⑥	⑦

- N = Phase Control Thyristors
- F = Fast Thyristors (inverter grade)
- D = Normal Recovery Diodes
- DF = Fast Recovery Diodes
- DD = Module (diode-diode)
- DT = Module (diode-thyristor)
- TD = Module (thyristor-diode)
- TT = Module (thyristor-thyristor)
- P = Press-fit diode
- Average Current Code
- Essential Part Number
- Voltage Code x 100 =  $V_{RRM}$
- Turn-off time (fast thyristors only)
- Reverse Recovery Time (fast diodes only)
- M = Metric Thread
- I = Inch Thread
- None = Anode to stud (stud diodes only)
- R = Cathode to stud (stud diodes only)

#### Disclaimer

All product specifications and data are subject to change without notice.

Komkraft Ind.Com.de Componentes Eletrônicos Ltda., its affiliates, agents and employees, and all persons acting on its or their behalf (collectively, "Komkraft"), disclaim any and all liability for any errors, inaccuracies or incompleteness contained herein or in any other disclosure relating to any product.

Komkraft disclaims any and all liability arising of the use or application of any product described herein or of any information provided herein to the maximum extent permitted by law. The product specifications do not expand or otherwise modify Komkraft's terms and conditions of purchase, including but not limited to the warranty expressed therein, which apply to these products.

The products shown herein are not designed for use in medical, life-saving or life-sustaining applications unless otherwise expressly indicated.