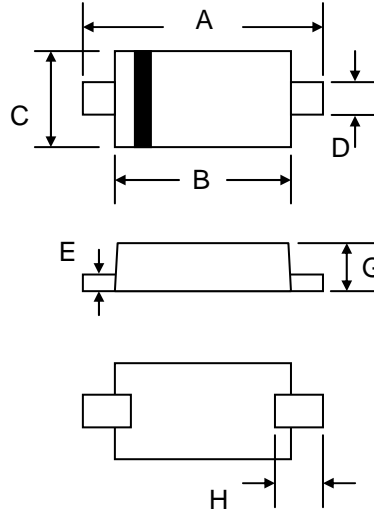


### Features

- Low Turn-On Voltage
- Fast Switching
- PN Junction Guard Ring for Transient and ESD Protection
- Designed for Surface Mount Application
- Plastic Material – UL Recognition Flammability Classification 94V-0



SOD-123FL		
Dim	Min	Max
A	3.30	3.70
B	2.60	2.95
C	1.65	1.95
D	0.75	1.35
E	0.10	0.20
G	0.98	1.08
H	0.50	0.80
All Dimensions in mm		

### Mechanical Data

- Case: SOD-123FL, Molded Plastic
- Terminals: Plated Leads Solderable per MIL-STD-202, Method 208
- Polarity: Cathode Band
- Weight: 0.017 grams (approx.)
- Marking: Device Code, See Page 3
- **Lead Free: For RoHS / Lead Free Version, Add "-LF" Suffix to Part Number, See Page 4**

### Maximum Ratings @ $T_A=25^\circ\text{C}$ unless otherwise specified

Characteristic	Symbol	SS0520FL	SS0530FL	SS0540FL	SS0560FL	SS05100FL	Unit
Peak Repetitive Reverse Voltage Working Peak Reverse Voltage DC Blocking Voltage	$V_{RRM}$ $V_{RWM}$ $V_R$	20	30	40	60	100	V
Forward Continuous Current (Note 1)	$I_F$	0.5					A
Non-Repetitive Peak Forward Surge Current 8.3ms Single Half Sine-Wave Superimposed on Rated Load (JEDEC Method)	$I_{FSM}$	5.5					A
Thermal Resistance, Junction to Lead (Note 2) Thermal Resistance, Junction to Ambient (Note 1)	$R_{JL}$ $R_{JA}$	150 206					$^\circ\text{C/W}$
Operating Temperature Range	$T_J$	-55 to +125					$^\circ\text{C}$
Storage Temperature Range	$T_{STG}$	-55 to +150					$^\circ\text{C}$

### Electrical Characteristics @ $T_A=25^\circ\text{C}$ unless otherwise specified

Characteristic	Symbol	SS0520FL	SS0530FL	SS0540FL	SS0560FL	SS05100FL	Unit
Maximum Forward Voltage Drop @ $I_F = 0.5\text{A}$	$V_{FM}$	0.52			0.66	0.83	V
Peak Reverse Leakage Current @ $V_{RRM}$	$I_{RM}$	500					$\mu\text{A}$
Typical Junction Capacitance (Note 3)	$C_J$	100			70	50	pF

- Note: 1. Mounted on FR-4 PCB with  $645\text{mm}^2$  pad size.  
 2. Mounted on FR-4 PCB with minimum recommended pad size.  
 3. Measured at 1.0 MHz and applied reverse voltage of 4.0V D.C.

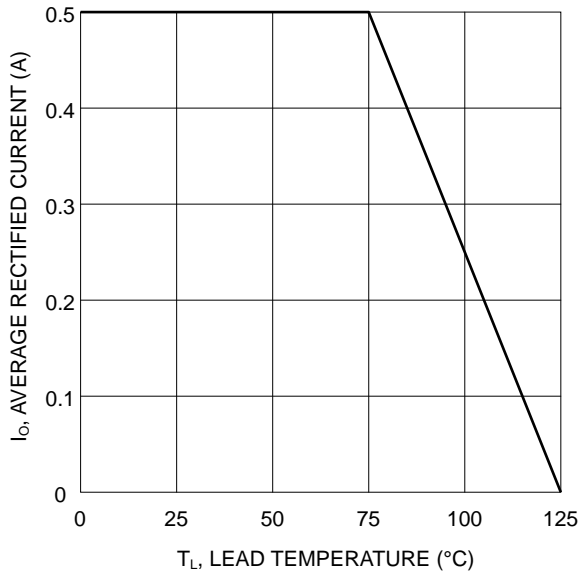


Fig. 1 Forward Current Derating Curve

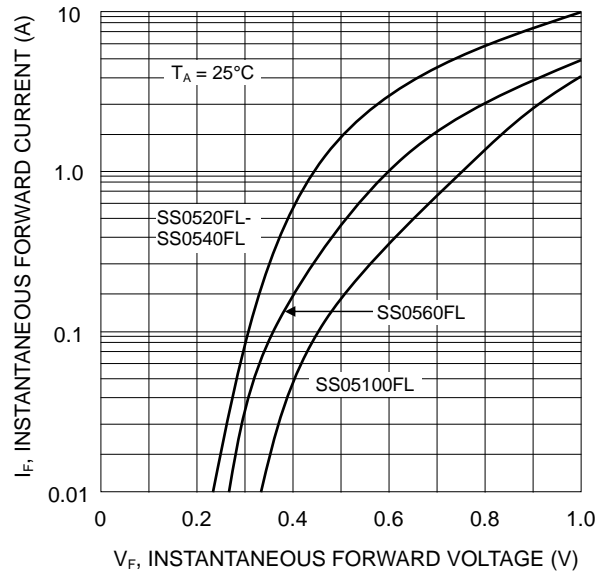


Fig. 2 Typical Forward Characteristics

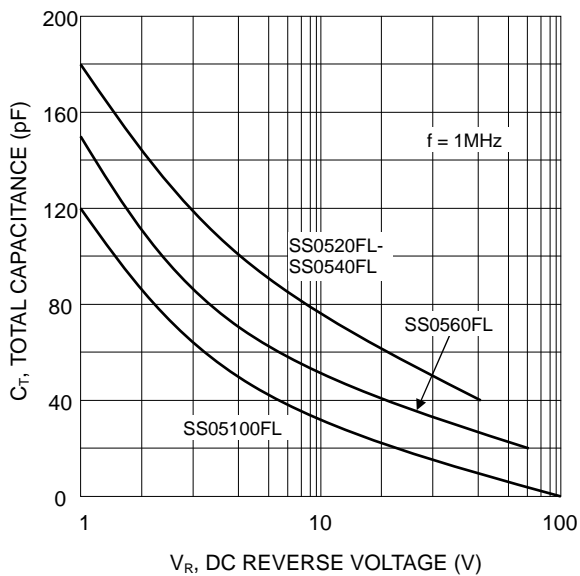


Fig. 3 Total Capacitance vs. Reverse Voltage

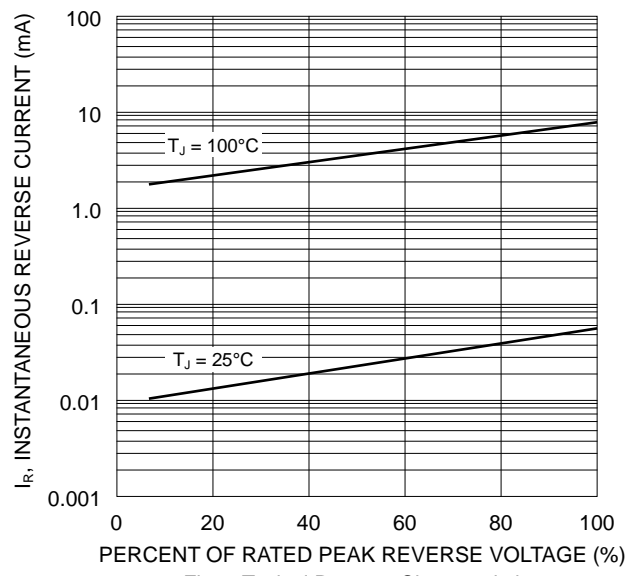


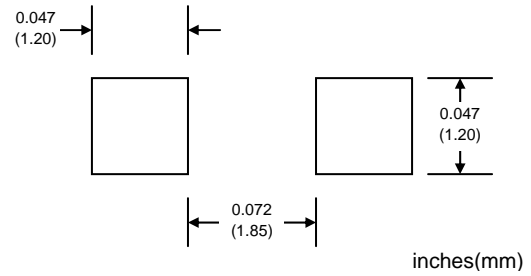
Fig. 4 Typical Reverse Characteristics

## MARKING INFORMATION



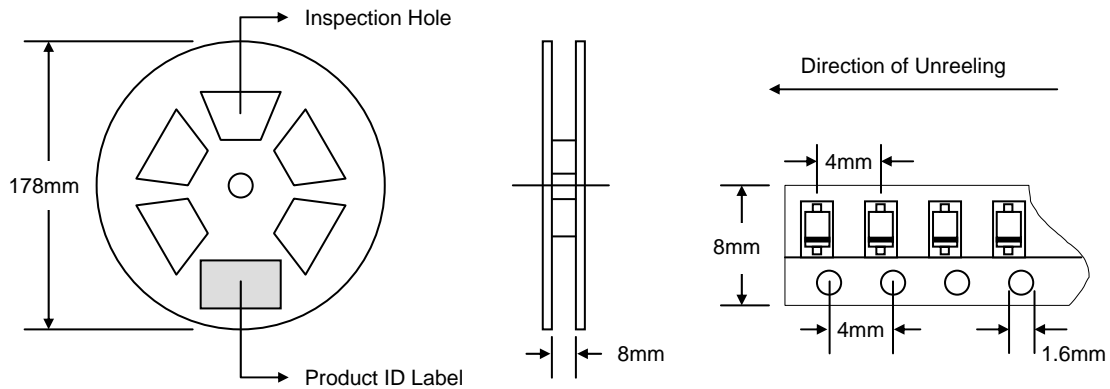
Cathode	=	Polarity Band
B02	=	SS0520FL
B03	=	SS0530FL
B04	=	SS0540FL
B06	=	SS0560FL
B10	=	SS05100FL

## RECOMMENDED FOOTPRINT



## PACKAGING INFORMATION

### TAPE & REEL




Reel Diameter (mm)	Quantity (PCS)	Inner Box Size L x W x H (mm)	Quantity (PCS)	Carton Size L x W x H (mm)	Quantity (PCS)	Approx. Gross Weight (KG)
178	3,000	195 x 135 x 195	30,000	370 x 370 x 420	240,000	10.0

**Note:** 1. Anti-static plastic reel, white, water clear or blue color. Inspection hole might be varied in different alignment.  
2. Components are packed in accordance with EIA standard 481-1 and 481-2.

## ORDERING INFORMATION

Product No.	Package Type	Shipping Quantity
SS0520FL-T1	SOD-123FL	3000/Tape & Reel
SS0530FL-T1	SOD-123FL	3000/Tape & Reel
SS0540FL-T1	SOD-123FL	3000/Tape & Reel
SS0560FL-T1	SOD-123FL	3000/Tape & Reel
SS05100FL-T1	SOD-123FL	3000/Tape & Reel

1. Shipping quantity given is for minimum packing quantity only. For minimum order quantity, please consult the Sales Department.
2. **To order RoHS / Lead Free version (with Lead Free finish), add "-LF" suffix to part number above. For example, SS0520FL-T1-LF.**

WON-TOP ELECTRONICS and  are registered trademarks of Won-Top Electronics Co., Ltd (WTE). WTE has checked all information carefully and believes it to be correct and accurate. However, WTE cannot assume any responsibility for inaccuracies. Furthermore, this information does not give the purchaser of semiconductor devices any license under patent rights to manufacturer. WTE reserves the right to change any or all information herein without further notice.

**WARNING:** DO NOT USE IN LIFE SUPPORT EQUIPMENT. WTE power semiconductor products are not authorized for use as critical components in life support devices or systems without the express written approval.

**Won-Top Electronics Co., Ltd.**  
No. 44 Yu Kang North 3rd Road,  
Chine Chen Dist., Kaohsiung 806, Taiwan  
**Phone:** 886-7-822-5408 or 886-7-822-5410  
**Fax:** 886-7-822-5417  
**Email:** sales@wontop.com  
**Internet:** <http://www.wontop.com>

*We power your everyday.*