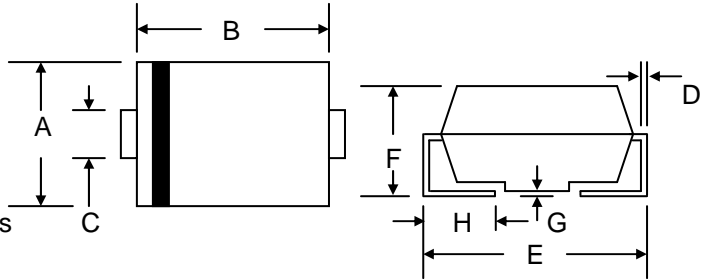


### Features

- Low Forward Voltage
- Epitaxial Construction with Oxide Passivation
- Guard Ring for Transient and ESD Protection
- Surge Overload Rating to 125A Peak
- Low Power Loss
- Fast Switching
- Ideally Suited for Use in High Frequency SMPS, Inverters and As Free Wheeling Diodes



### Mechanical Data

- Case: SMB/DO-214AA, Molded Plastic
- Terminals: Solder Plated, Solderable per MIL-STD-750, Method 2026
- Polarity: Cathode Band or Cathode Notch
- Marking: Type Number
- Weight: 0.093 grams (approx.)
- **Lead Free: For RoHS / Lead Free Version, Add "-LF" Suffix to Part Number, See Page 4**

SMB/DO-214AA		
Dim	Min	Max
A	3.30	3.94
B	4.06	4.70
C	1.91	2.11
D	0.152	0.305
E	5.08	5.59
F	2.13	2.44
G	0.051	0.203
H	0.76	1.27
All Dimensions in mm		

### Maximum Ratings @ $T_A=25^\circ\text{C}$ unless otherwise specified

Characteristic	Symbol	SR52	SR53	SR54	SR55	SR56	SR58	SR59	SR510	Unit	
Peak Repetitive Reverse Voltage	$V_{RRM}$									V	
Working Peak Reverse Voltage	$V_{RWM}$	20	30	40	50	60	80	90	100		
DC Blocking Voltage	$V_R$										
RMS Reverse Voltage	$V_{R(RMS)}$	14	21	28	35	42	56	63	70	V	
Average Rectified Output Current (Note 1)	$I_O$	5.0								A	
Non-Repetitive Peak Forward Surge Current 8.3ms Single Half Sine-Wave Superimposed on Rated Load (JEDEC Method)	$I_{FSM}$	125								A	
Forward Voltage @ $I_F = 5.0\text{A}$	$V_{FM}$	0.50			0.75		0.85			V	
Peak Reverse Current @ $T_J = 25^\circ\text{C}$ At Rated DC Blocking Voltage @ $T_J = 100^\circ\text{C}$	$I_{RM}$					0.5					mA
						20					
Typical Junction Capacitance (Note 2)	$C_J$	500			380					pF	
Thermal Resistance, Junction to Ambient (Note 1)	$R_{JA}$	70								$^\circ\text{C/W}$	
Thermal Resistance, Junction to Case (Note 1)	$R_{JC}$	18									
Operating Temperature Range	$T_J$	-55 to +125				-55 to +150					$^\circ\text{C}$
Storage Temperature Range	$T_{STG}$	-55 to +150									$^\circ\text{C}$

Note: 1. Mounted on FR-4 PCB with 8.0 x 8.0mm copper pads.  
2. Measured at 1.0 MHz and applied reverse voltage of 4.0V D.C.

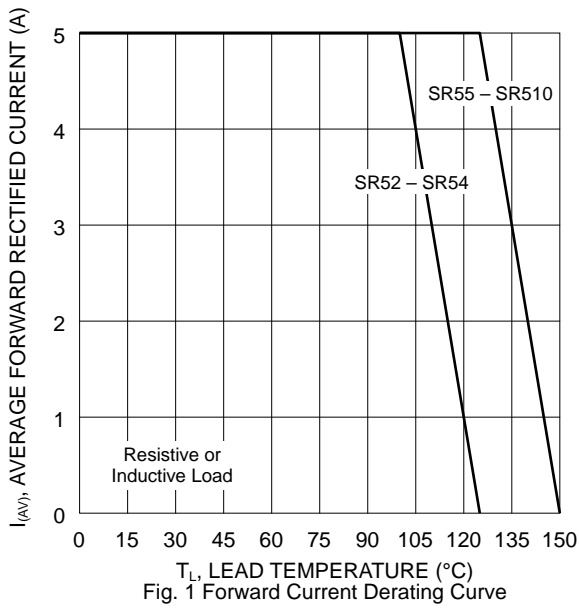


Fig. 1 Forward Current Derating Curve

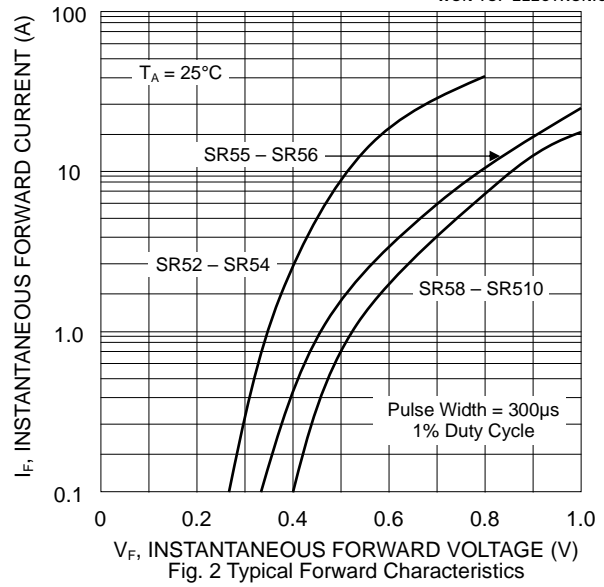


Fig. 2 Typical Forward Characteristics

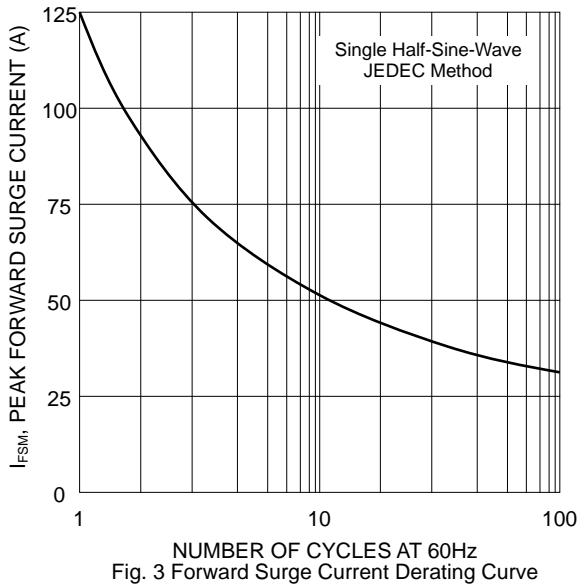


Fig. 3 Forward Surge Current Derating Curve

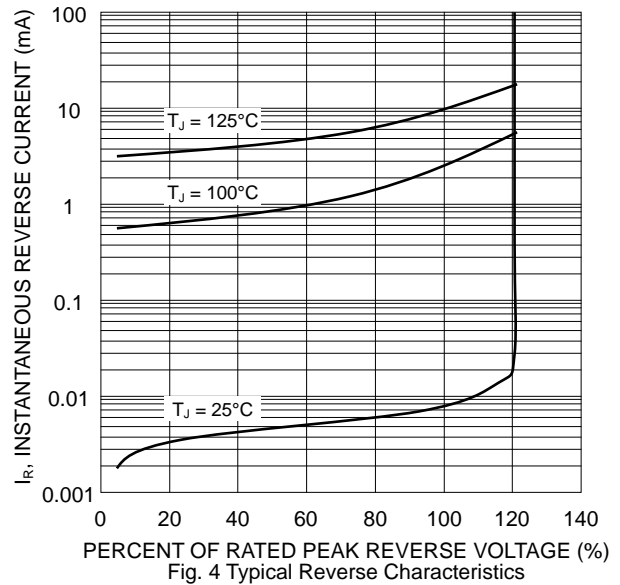


Fig. 4 Typical Reverse Characteristics

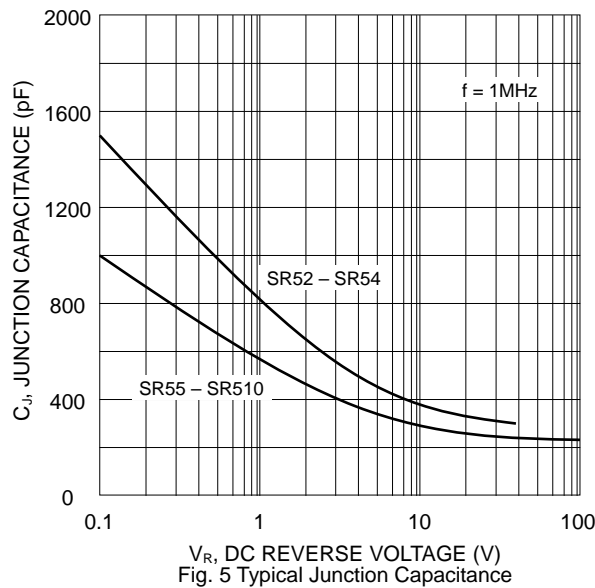
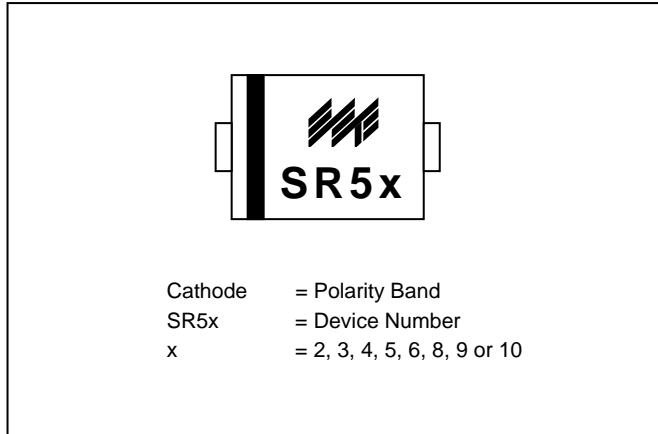
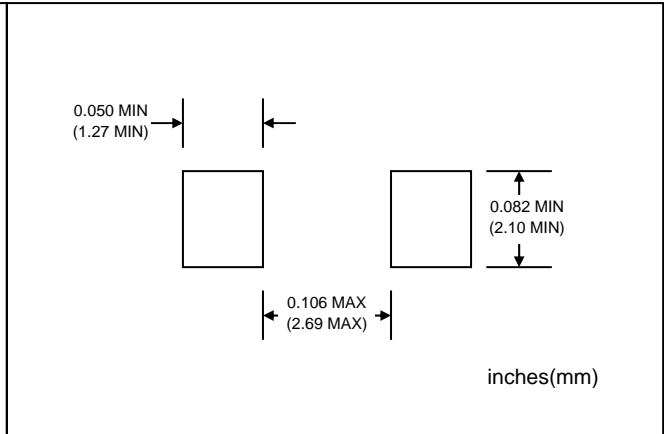


Fig. 5 Typical Junction Capacitance

## MARKING INFORMATION

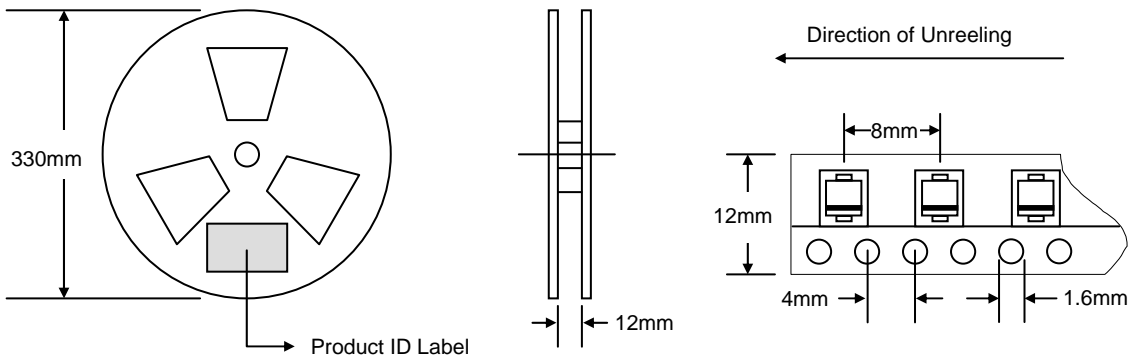


## RECOMMENDED FOOTPRINT



## PACKAGING INFORMATION

### TAPE & REEL




Reel Diameter (mm)	Quantity (PCS)	Inner Box Size L x W x H (mm)	Quantity (PCS)	Carton Size L x W x H (mm)	Quantity (PCS)	Approx. Gross Weight (KG)
330	3,000	340 x 337 x 45	6,000	370 x 370 x 420	48,000	14.0

**Note:** 1. Paper reel, white or gray color.  
 2. Components are packed in accordance with EIA standard 481-1 and 481-2.

## ORDERING INFORMATION

Product No.	Package Type	Shipping Quantity
SR52-T3	SMB	3000/Tape & Reel
SR53-T3	SMB	3000/Tape & Reel
SR54-T3	SMB	3000/Tape & Reel
SR55-T3	SMB	3000/Tape & Reel
SR56-T3	SMB	3000/Tape & Reel
SR58-T3	SMB	3000/Tape & Reel
SR59-T3	SMB	3000/Tape & Reel
SR510-T3	SMB	3000/Tape & Reel

- Shipping quantity given is for minimum packing quantity only. For minimum order quantity, please consult the Sales Department.
- To order RoHS / Lead Free version (with Lead Free finish), add "-LF" suffix to part number above. For example, SR52-T3-LF.

WON-TOP ELECTRONICS and  are registered trademarks of Won-Top Electronics Co., Ltd (WTE). WTE has checked all information carefully and believes it to be correct and accurate. However, WTE cannot assume any responsibility for inaccuracies. Furthermore, this information does not give the purchaser of semiconductor devices any license under patent rights to manufacturer. WTE reserves the right to change any or all information herein without further notice.

**WARNING:** DO NOT USE IN LIFE SUPPORT EQUIPMENT. WTE power semiconductor products are not authorized for use as critical components in life support devices or systems without the express written approval.

**Won-Top Electronics Co., Ltd.**  
 No. 44 Yu Kang North 3rd Road,  
 Chine Chen Dist., Kaohsiung 806, Taiwan  
**Phone:** 886-7-822-5408 or 886-7-822-5410  
**Fax:** 886-7-822-5417  
**Email:** sales@wontop.com  
**Internet:** http://www.wontop.com

*We power your everyday.*