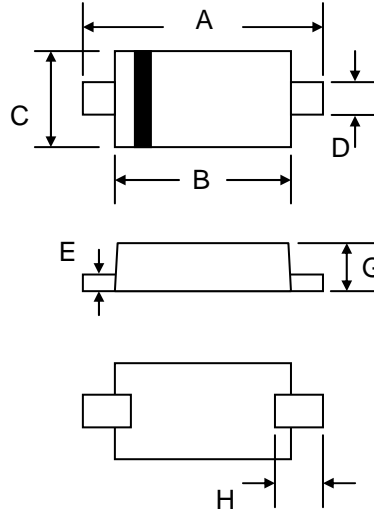


### Features

- **Very Low Forward Voltage**
- Fast Switching
- PN Junction Guard Ring for Transient and ESD Protection
- Designed for Surface Mount Application
- Plastic Material – UL Recognition Flammability Classification 94V-0



SOD-123FL		
Dim	Min	Max
A	3.30	3.70
B	2.60	2.95
C	1.65	1.95
D	0.75	1.35
E	0.10	0.20
G	0.98	1.08
H	0.50	0.80
All Dimensions in mm		

### Mechanical Data

- Case: SOD-123FL, Molded Plastic
- Terminals: Plated Leads Solderable per MIL-STD-202, Method 208
- Polarity: Cathode Band
- Weight: 0.017 grams (approx.)
- Marking:
 

MBR0520L	L2
MBR0530L	L3
MBR0540L	L4
- **Lead Free: For RoHS / Lead Free Version, Add “-LF” Suffix to Part Number, See Page 4**

### Maximum Ratings @ $T_A=25^\circ\text{C}$ unless otherwise specified

Characteristic	Symbol	MBR0520L	MBR0530L	MBR0540L	Unit
Peak Repetitive Reverse Voltage	$V_{RRM}$	20	30	40	V
Working Peak Reverse Voltage	$V_{RWM}$				
DC Blocking Voltage	$V_R$				
Forward Continuous Current (Note 1)	$I_F$	500			mA
Non-Repetitive Peak Forward Surge Current 8.3ms Single Half Sine-Wave Superimposed on Rated Load (JEDEC Method)	$I_{FSM}$	10			A
Thermal Resistance, Junction to Lead (Note 2)	$R_{JL}$	150			$^\circ\text{C}/\text{W}$
Thermal Resistance, Junction to Ambient (Note 1)	$R_{JA}$	206			
Operating Temperature Range	$T_J$	-65 to +125			$^\circ\text{C}$
Storage Temperature Range	$T_{STG}$	-65 to +150			$^\circ\text{C}$

### Electrical Characteristics @ $T_A=25^\circ\text{C}$ unless otherwise specified

Characteristic	Symbol	MBR0520L	MBR0530L	MBR0540L	Unit
Forward Voltage Drop @ $I_F = 0.5\text{A}$	$V_{FM}$	0.39	0.44		V
Peak Reverse Leakage Current @ $V_R = 50\% / 100\%$ DC Blocking Voltage	$I_{RM}$	75 / 250	20 / 130	10 / 20	$\mu\text{A}$

Note: 1. Mounted on FR-4 PCB with  $645\text{mm}^2$  pad size.  
2. Mounted on FR-4 PCB with minimum recommended pad size.

# MBR0520L – MBR0540L

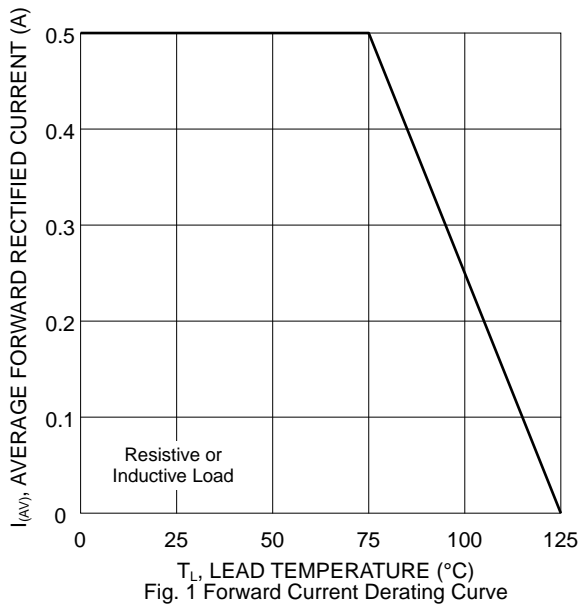


Fig. 1 Forward Current Derating Curve

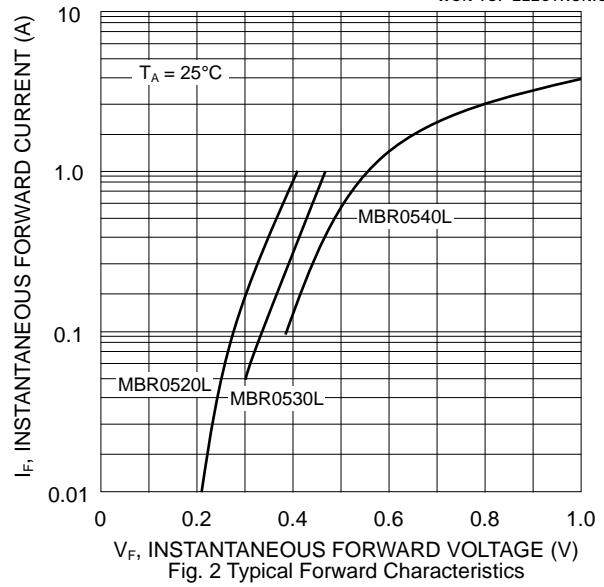


Fig. 2 Typical Forward Characteristics

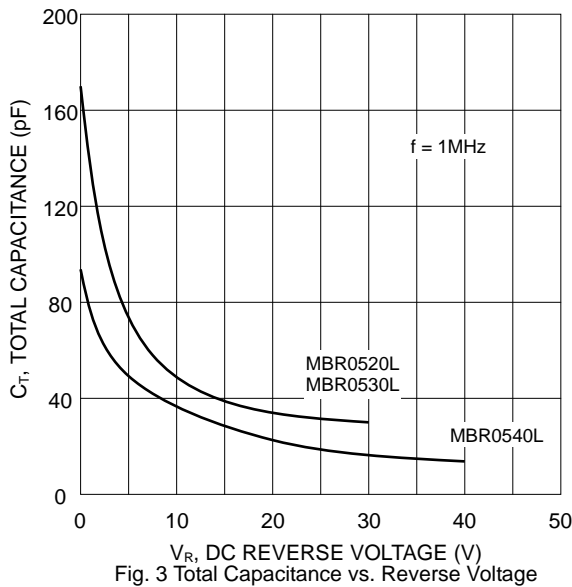


Fig. 3 Total Capacitance vs. Reverse Voltage

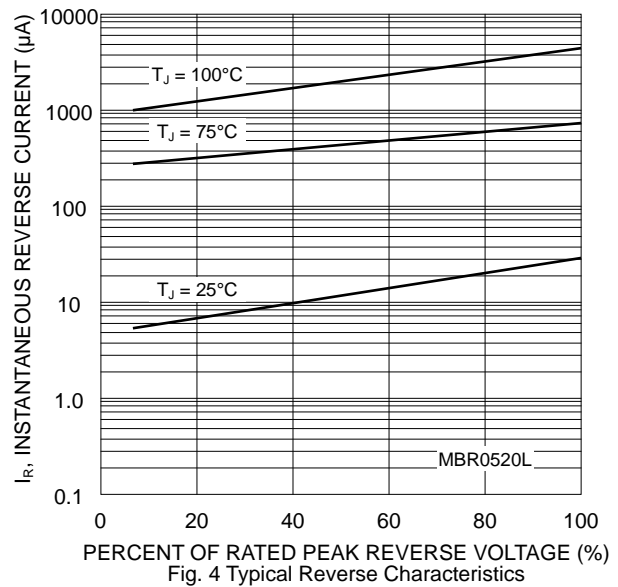


Fig. 4 Typical Reverse Characteristics

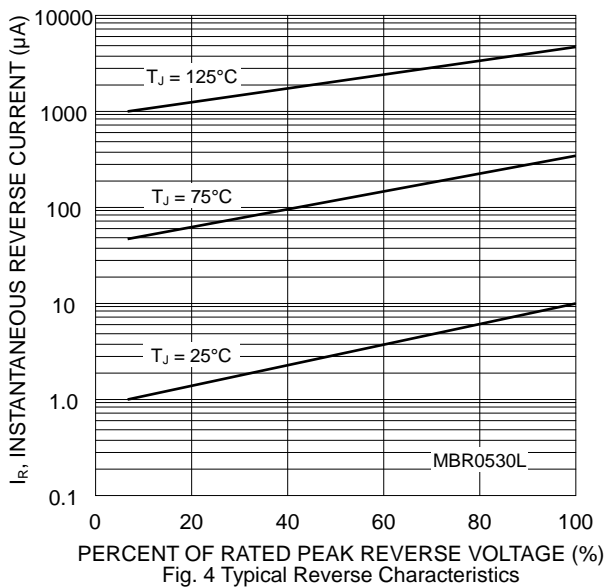


Fig. 4 Typical Reverse Characteristics

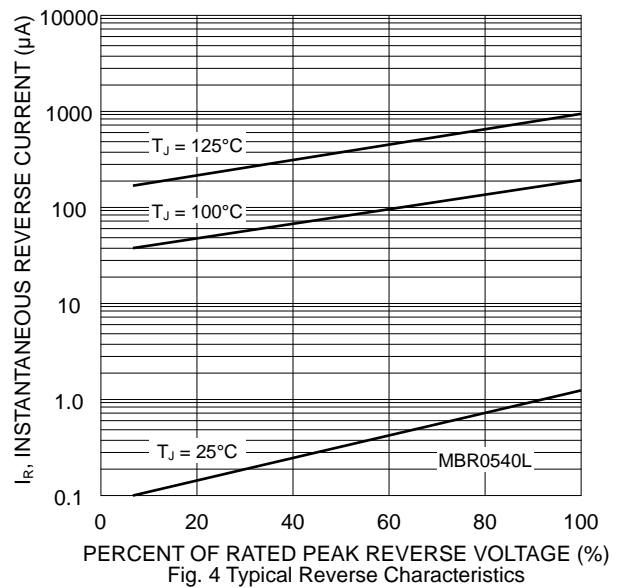


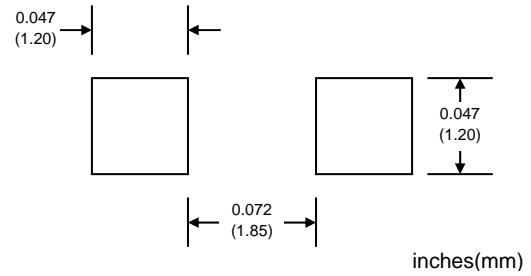
Fig. 4 Typical Reverse Characteristics

## MARKING INFORMATION



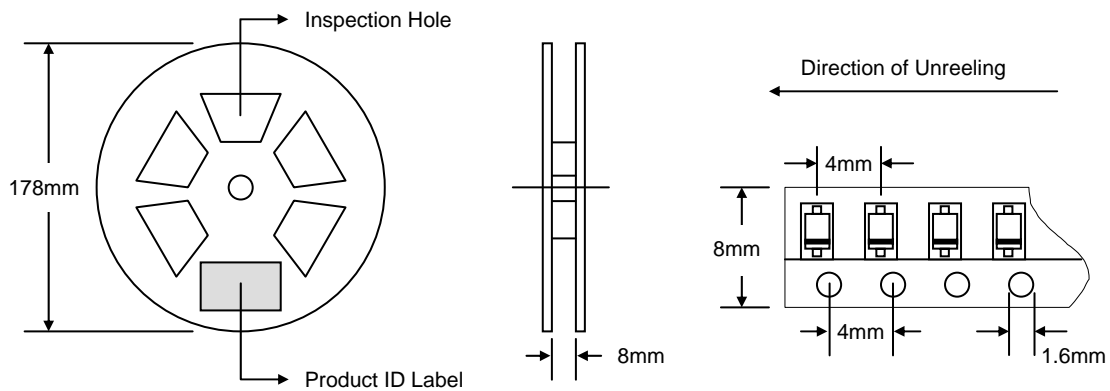
Cathode = Polarity Band  
 L2 = MBR0520L  
 L3 = MBR0530L  
 L4 = MBR0540L

## RECOMMENDED FOOTPRINT



## PACKAGING INFORMATION

### TAPE & REEL



Reel Diameter (mm)	Quantity (PCS)	Inner Box Size L x W x H (mm)	Quantity (PCS)	Carton Size L x W x H (mm)	Quantity (PCS)	Approx. Gross Weight (KG)
178	3,000	195 x 135 x 195	30,000	370 x 370 x 420	240,000	10.0

**Note:** 1. Anti-static plastic reel, white, water clear or blue color. Inspection hole might be varied in different alignment.  
 2. Components are packed in accordance with EIA standard 481-1 and 481-2.

## ORDERING INFORMATION

Product No.	Package Type	Shipping Quantity
MBR0520L-T1	SOD-123FL	3000/Tape & Reel
MBR0530L-T1	SOD-123FL	3000/Tape & Reel
MBR0540L-T1	SOD-123FL	3000/Tape & Reel

1. Shipping quantity given is for minimum packing quantity only. For minimum order quantity, please consult the Sales Department.
2. **To order RoHS / Lead Free version (with Lead Free finish), add “-LF” suffix to part number above. For example, MBR0520L-T1-LF.**

WON-TOP ELECTRONICS and  are registered trademarks of Won-Top Electronics Co., Ltd (WTE). WTE has checked all information carefully and believes it to be correct and accurate. However, WTE cannot assume any responsibility for inaccuracies. Furthermore, this information does not give the purchaser of semiconductor devices any license under patent rights to manufacturer. WTE reserves the right to change any or all information herein without further notice.

**WARNING:** DO NOT USE IN LIFE SUPPORT EQUIPMENT. WTE power semiconductor products are not authorized for use as critical components in life support devices or systems without the express written approval.

**Won-Top Electronics Co., Ltd.**  
No. 44 Yu Kang North 3rd Road,  
Chine Chen Dist., Kaohsiung 806, Taiwan  
**Phone:** 886-7-822-5408 or 886-7-822-5410  
**Fax:** 886-7-822-5417  
**Email:** sales@wontop.com  
**Internet:** <http://www.wontop.com>

*We power your everyday.*