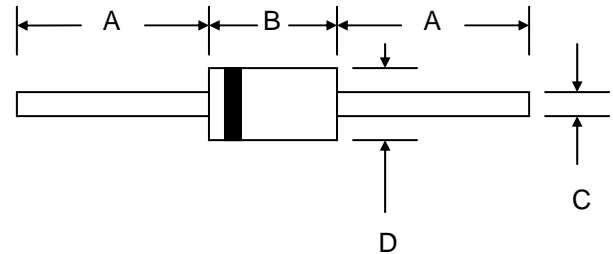


Features

- Schottky Barrier Chip
- Guard Ring for Transient and ESD Protection
- Surge Overload Rating to 180A Peak
- Low Power Loss, High Efficiency
- Ideally Suited for Use in High Frequency SMPS, Inverters and As Free Wheeling Diodes



Mechanical Data

- Case: DO-201AD, Molded Plastic
- Terminals: Plated Leads Solderable per MIL-STD-202, Method 208
- Polarity: Cathode Band
- Weight: 1.2 grams (approx.)
- Mounting Position: Any
- Marking: Type Number
- **Lead Free: For RoHS / Lead Free Version, Add "-LF" Suffix to Part Number, See Page 4**

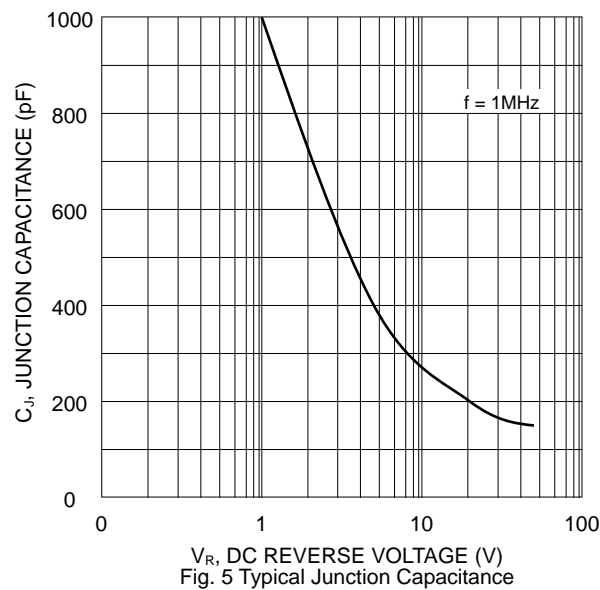
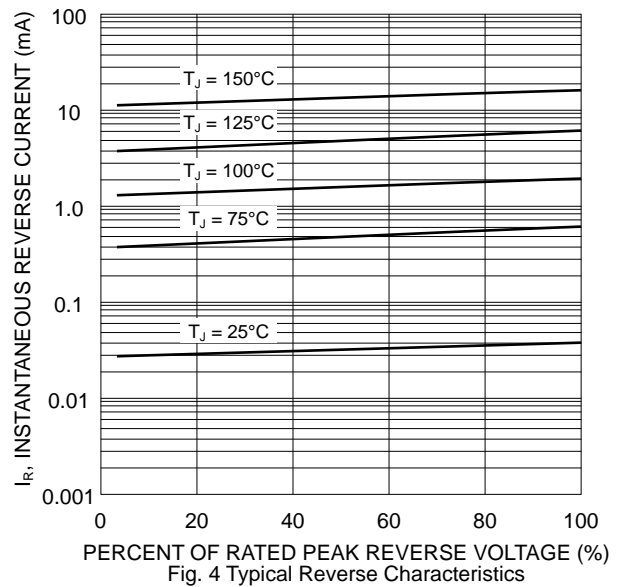
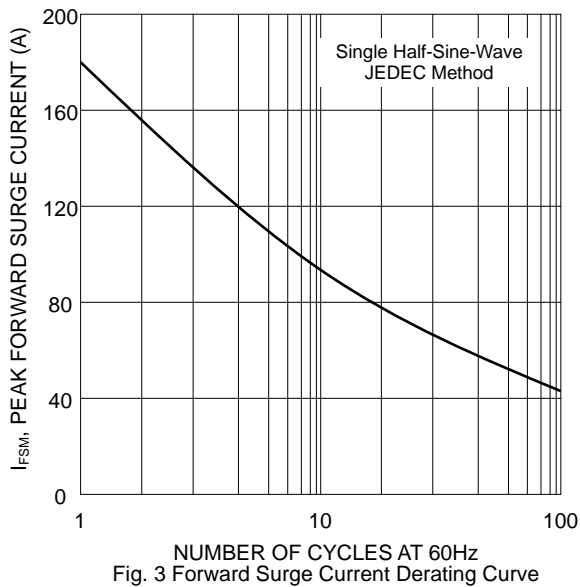
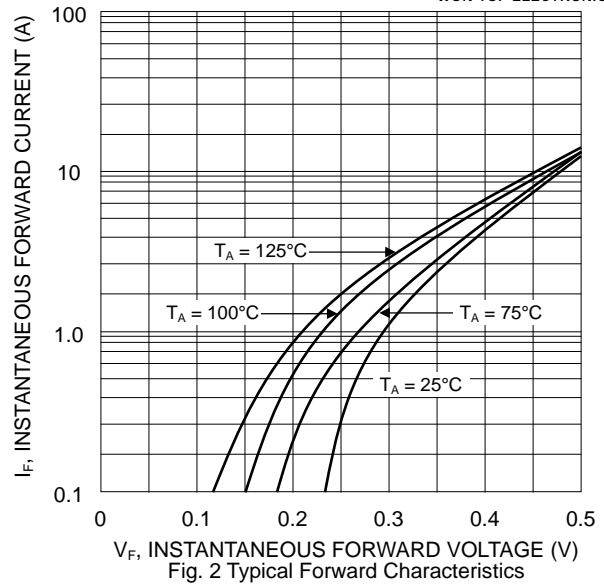
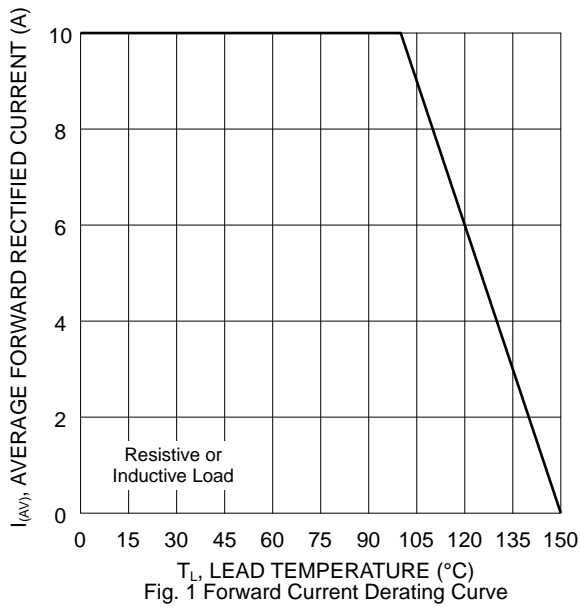
DO-201AD		
Dim	Min	Max
A	25.4	—
B	7.20	9.50
C	1.20	1.30
D	4.80	5.30
All Dimensions in mm		

Maximum Ratings and Electrical Characteristics @T_A=25°C unless otherwise specified

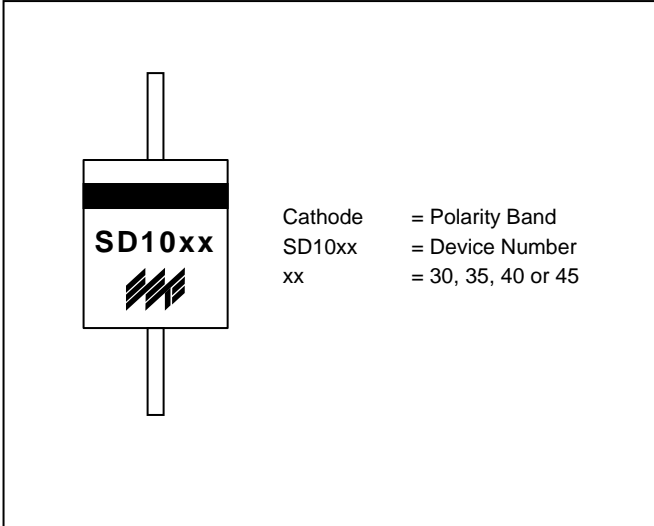
Single Phase, half wave, 60Hz, resistive or inductive load.
For capacitive load, derate current by 20%.

Characteristic	Symbol	SD1030	SD1035	SD1040	SD1045	Unit
Peak Repetitive Reverse Voltage	V _{RRM}	30	35	40	45	V
Working Peak Reverse Voltage	V _{RWM}					
DC Blocking Voltage	V _R					
RMS Reverse Voltage	V _{R(RMS)}	21	25	28	32	V
Average Rectified Output Current @T _L = 100°C (Note 1)	I _O	10				A
Non-Repetitive Peak Forward Surge Current 8.3ms Single Half Sine-Wave Superimposed on Rated Load (JEDEC Method)	I _{FSM}	180				A
Forward Voltage @I _F = 10A	V _{FM}	0.55				V
Peak Reverse Current @T _J = 25°C	I _{RM}	0.45				mA
At Rated DC Blocking Voltage @T _J = 100°C		18				
Thermal Resistance, Junction to Ambient (Note 2)	R _{JA}	54				°C/W
Thermal Resistance, Junction to Lead (Note 2)	R _{JL}	8.0				
Operating Temperature Range	T _J	-65 to +150				°C
Storage Temperature Range	T _{STG}	-65 to +175				°C

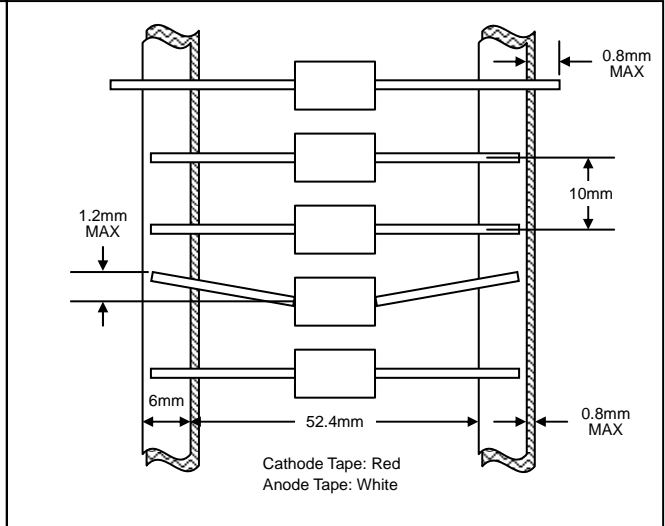
Note: 1. Valid provided that leads are kept at ambient temperature at a distance of 9.5mm from the case.
2. Mounted on FR-4 PCB with 63.5 x 63.5mm copper pads.



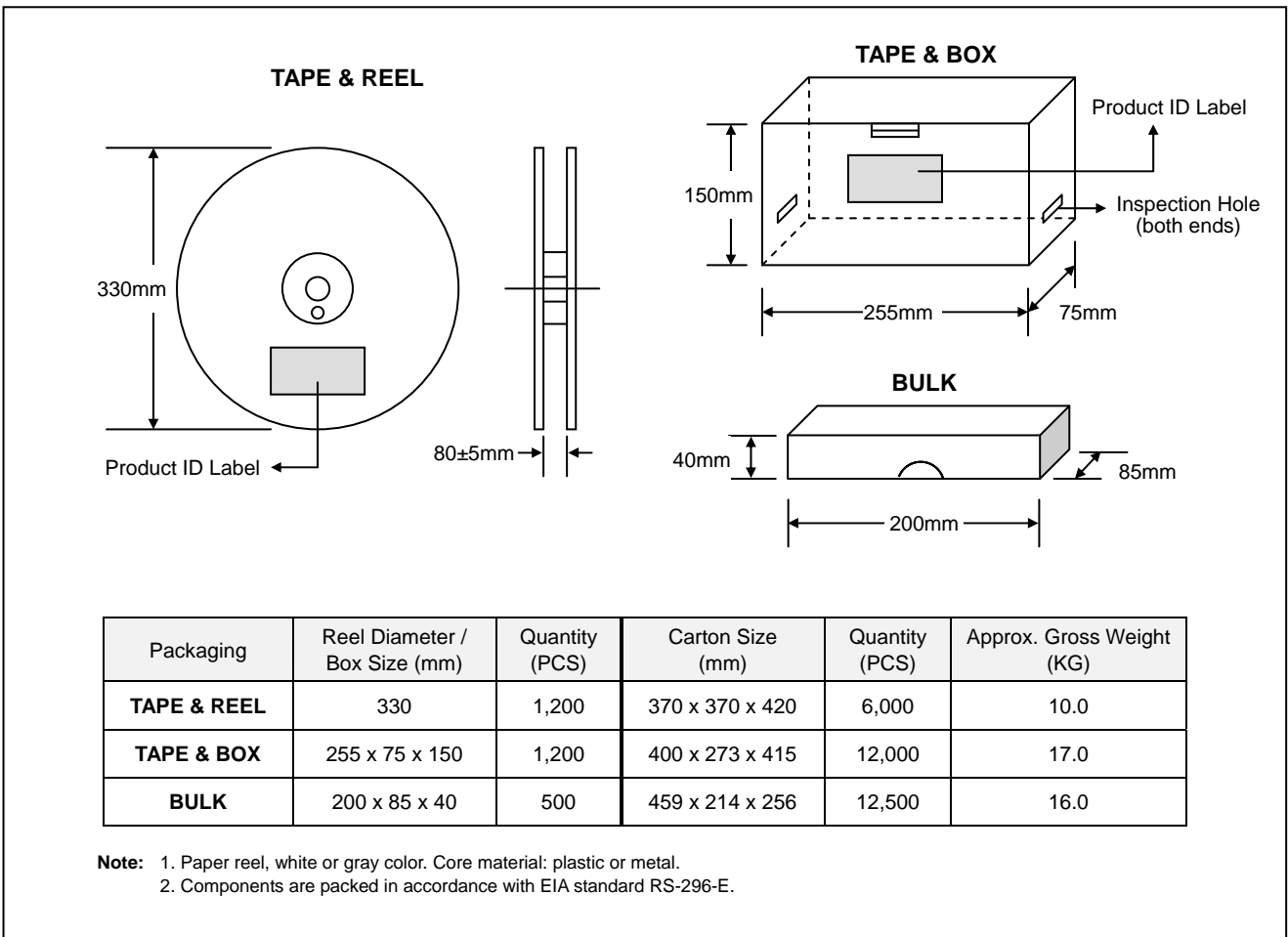
MARKING INFORMATION



TAPING SPECIFICATIONS




PACKAGING INFORMATION



ORDERING INFORMATION

Product No.	Package Type	Shipping Quantity
SD10xx-T3	DO-201AD	1200/Tape & Reel
SD10xx-TB	DO-201AD	1200/Tape & Box
SD10xx	DO-201AD	500 Units/Box

1. Products listed in **bold** are WTE **Preferred** devices.
2. Shipping quantity given is for minimum packing quantity only. For minimum order quantity, please consult the Sales Department.
3. **To order RoHS / Lead Free version (with Lead Free finish), add "-LF" suffix to part number above. For example, SD1030-TB-LF.**

WON-TOP ELECTRONICS and  are registered trademarks of Won-Top Electronics Co., Ltd (WTE). WTE has checked all information carefully and believes it to be correct and accurate. However, WTE cannot assume any responsibility for inaccuracies. Furthermore, this information does not give the purchaser of semiconductor devices any license under patent rights to manufacturer. WTE reserves the right to change any or all information herein without further notice.

WARNING: DO NOT USE IN LIFE SUPPORT EQUIPMENT. WTE power semiconductor products are not authorized for use as critical components in life support devices or systems without the express written approval.

Won-Top Electronics Co., Ltd.
 No. 44 Yu Kang North 3rd Road,
 Chine Chen Dist., Kaohsiung 806, Taiwan
Phone: 886-7-822-5408 or 886-7-822-5410
Fax: 886-7-822-5417
Email: sales@wontop.com
Internet: http://www.wontop.com

We power your everyday.