



P-Channel Enhancement Mode Field Effect Transistor

PRODUCT SUMMARY

V _{DSS}	I _D	R _{DS(ON)} (mΩ) Max
-30V	-3A	96 @ V _{GS} =-4.5V
		100 @ V _{GS} =-4.0V
		103 @ V _{GS} =-3.7V
		111 @ V _{GS} =-3.1V
		123 @ V _{GS} =-2.5V

FEATURES

- Super high dense cell design for low R_{DS(ON)}.
- Rugged and reliable.
- Surface Mount Package.
- ESD Protected.



ABSOLUTE MAXIMUM RATINGS (T_A=25°C unless otherwise noted)

Symbol	Parameter	Limit	Units
V _{DS}	Drain-Source Voltage	-30	V
V _{GS}	Gate-Source Voltage	±12	V
I _D	Drain Current-Continuous ^a	-3	A
I _{DM}	-Pulsed ^b	-11	A
P _D	Maximum Power Dissipation ^a	1.25	W
T _J , T _{STG}	Operating Junction and Storage Temperature Range	-55 to 150	°C

THERMAL CHARACTERISTICS

R _{θJA}	Thermal Resistance, Junction-to-Ambient ^a	100	°C/W
------------------	--	-----	------

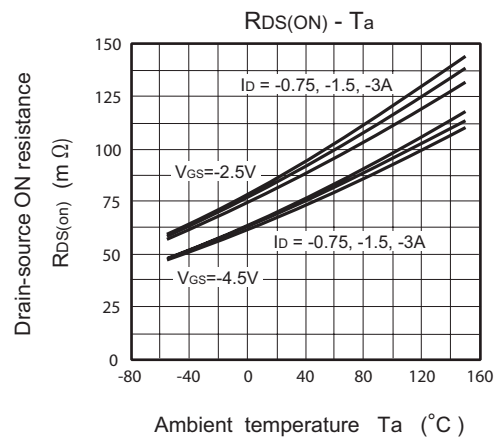
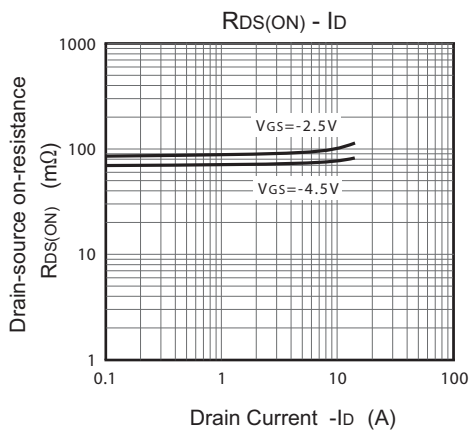
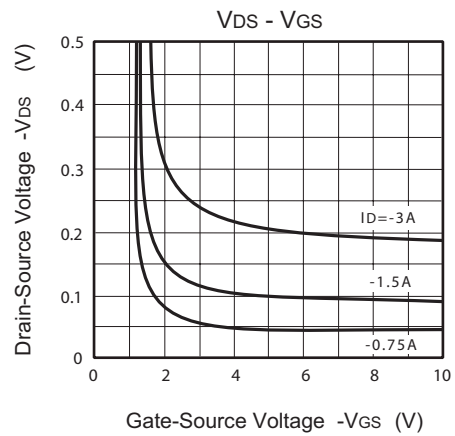
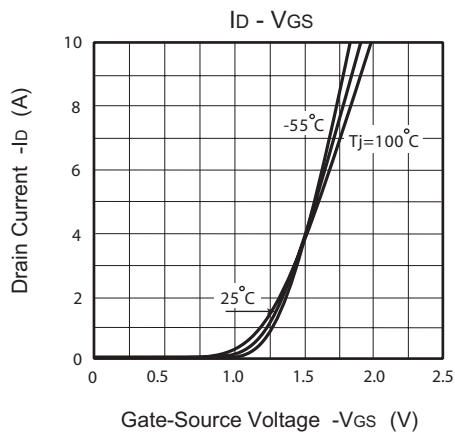
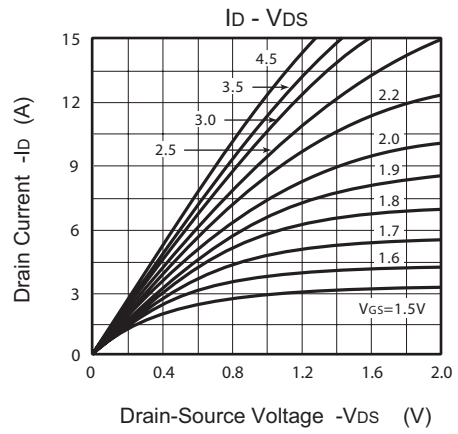
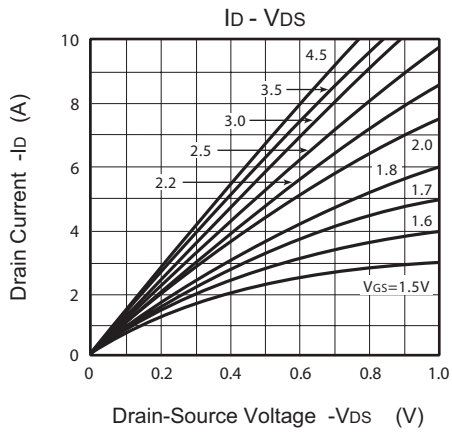
STS3417

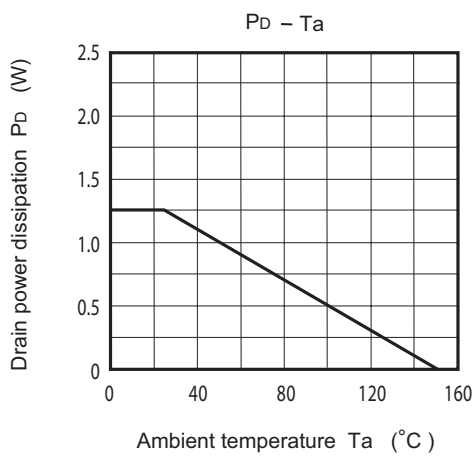
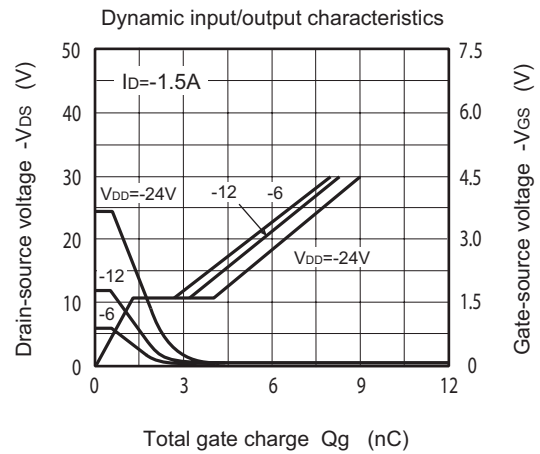
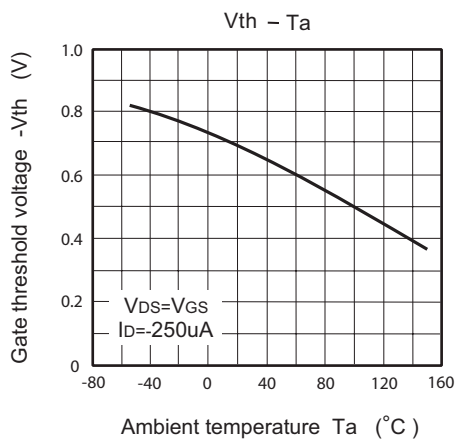
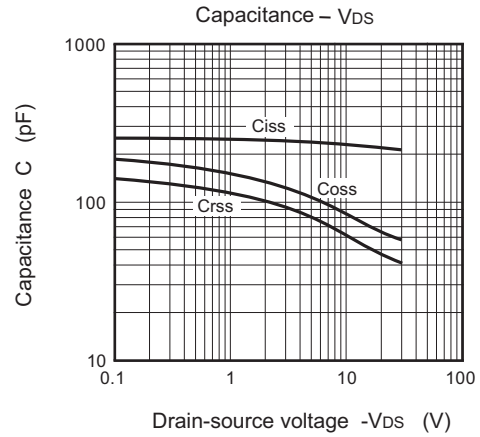
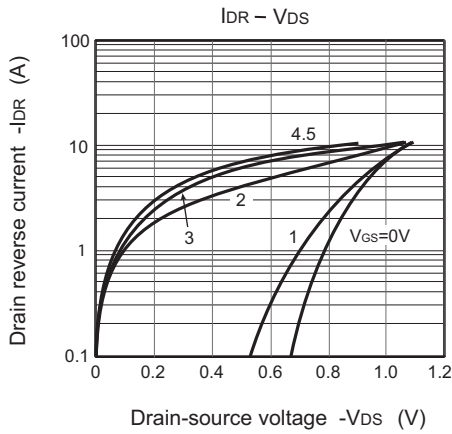
Ver 1.0

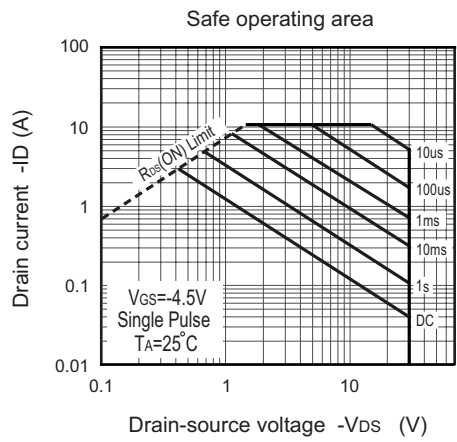
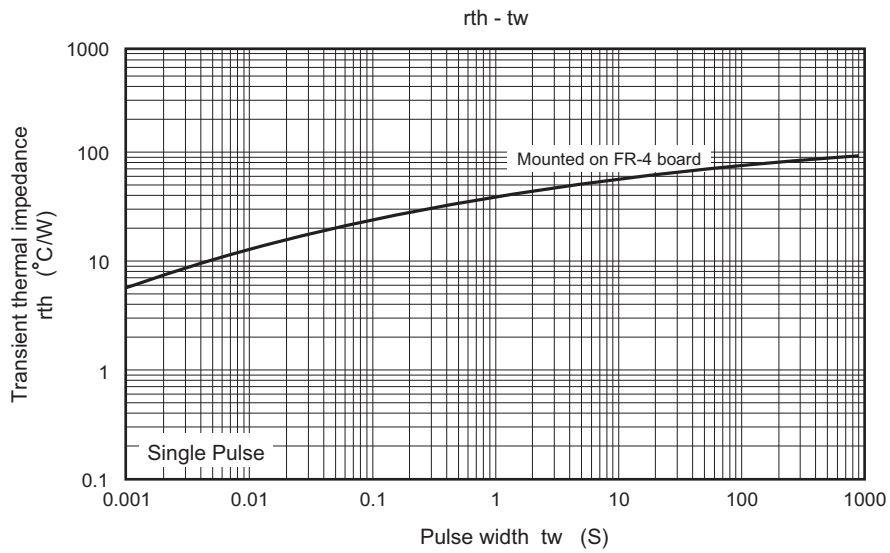
ELECTRICAL CHARACTERISTICS (TA=25°C unless otherwise noted)

Symbol	Parameter	Conditions	Min	Typ	Max	Units
OFF CHARACTERISTICS						
BV _{DSS}	Drain-Source Breakdown Voltage	V _{GS} =0V , I _D =-10mA	-30			V
BV _{DSX}		V _{GS} =20V , I _D =-10mA	-10			V
I _{DSS}	Zero Gate Voltage Drain Current	V _{DS} =-30V , V _{GS} =0V			10	uA
I _{GSS}	Gate-Body Leakage Current	V _{GS} = ±12V , V _{DS} =0V			±10	uA
ON CHARACTERISTICS						
V _{GS(th)}	Gate Threshold Voltage	V _{DS} =V _{GS} , I _D =-0.25mA	-0.5	-0.7	-1.5	V
R _{DS(ON)}	Drain-Source On-State Resistance	V _{GS} =-4.5V , I _D =-1.5A	52	74	96	m ohm
		V _{GS} =-4.0V , I _D =-1.5A	54	76	100	m ohm
		V _{GS} =-3.7V , I _D =-1.5A	56	78	103	m ohm
		V _{GS} =-3.1V , I _D =-1.5A	61	83	111	m ohm
		V _{GS} =-2.5V , I _D =-1.5A	69	91	123	m ohm
DYNAMIC CHARACTERISTICS [°]						
C _{ISS}	Input Capacitance	V _{DS} =-15V, V _{GS} =0V f=1.0MHz		323		pF
C _{OSS}	Output Capacitance			73		pF
C _{RSS}	Reverse Transfer Capacitance			53		pF
SWITCHING CHARACTERISTICS [°]						
t _{D(ON)}	Turn-On Delay Time	V _{DD} =-15V I _D =-1.5A		7.2		ns
t _r	Rise Time			12.4		ns
t _{D(OFF)}	Turn-Off Delay Time	V _{GS} =-4.5V R _{GEN} = 4.7 ohm		7.4		ns
t _f	Fall Time			8.9		ns
Q _g	Total Gate Charge	V _{DS} =-15V, I _D =-1.5A, V _{GS} =-4.5V		9		nC
Q _{gs}	Gate-Source Charge			1.3		nC
Q _{gd}	Gate-Drain Charge			2.7		nC
DRAIN-SOURCE DIODE CHARACTERISTICS AND MAXIMUM RATINGS						
V _{SD}	Diode Forward Voltage	V _{GS} =0V, I _S =-1A		-0.8	-1.2	V
Notes a.Surface Mounted on FR4 Board,t ≤ 10sec. b.Pulse Test:Pulse Width ≤ 300us, Duty Cycle ≤ 2%. c.Guaranteed by design, not subject to production testing.						

Aug,29,2012

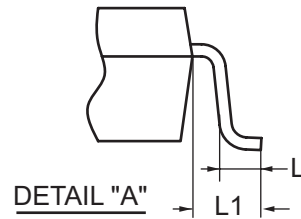
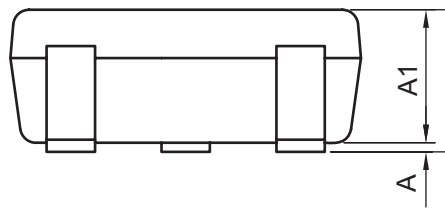
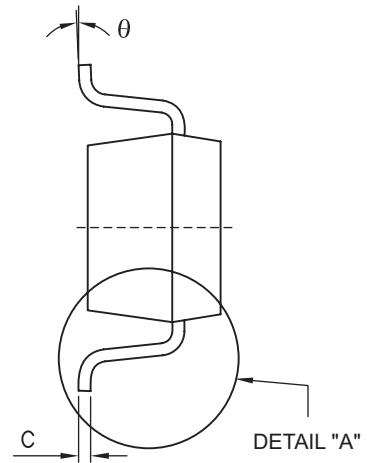
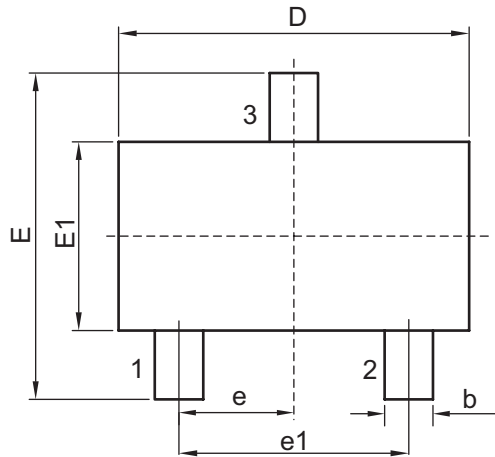






PACKAGE OUTLINE DIMENSIONS

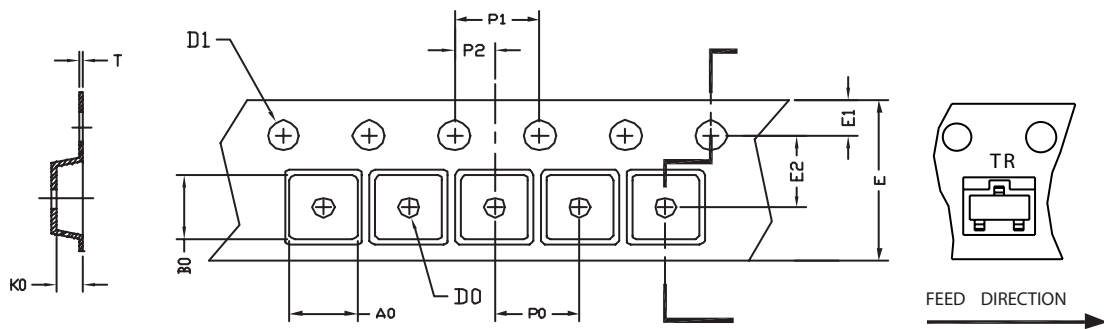
SOT 23



SYMBOLS	MILLIMETERS		INCHES	
	MIN	MAX	MIN	MAX
D	2.700	3.100	0.106	0.122
E	2.200	3.000	0.087	0.118
E1	1.200	1.700	0.047	0.067
e	0.850	1.150	0.033	0.045
e1	1.800	2.100	0.071	0.083
b	0.300	0.510	0.019	0.020
C	0.080	0.200	0.003	0.008
A	0.000	0.150	0.000	0.006
A1	0.887	1.300	0.035	0.051
L	0.450 REF.		0.018 REF.	
L1	0.600 REF.		0.024 REF.	
θ	0°	10°	0°	10°

SOT23 Tape and Reel Data

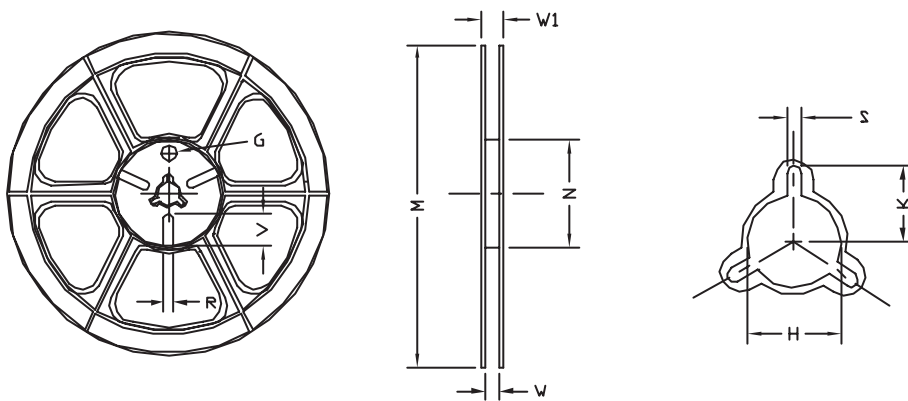
SOT23-3L Carrier Tape



UNIT:mm

PACKAGE	A0	B0	K0	D0	D1	E	E1	E2	P0	P1	P2	T
SOT23-3L	3.15 ±0.10	2.77 ±0.10	1.22 ±0.10	1.00 +0.05	1.50 +0.10	8.00 +0.30 -0.10	1.75 ±0.10	3.50 ±0.05	4.00 ±0.10	4.00 ±0.10	2.00 ±0.05	0.22 ±0.04

SOT23-3L Reel



UNIT:mm

TAPE SIZE	REEL SIZE	M	N	W	W1	H	K	S	G	R	V
8mm	178	178 ±1	60 ±1	9.00 ±0.5	12.00 ±0.5	13.5 ±0.5	10.5	2.00 ±0.5	10.0	5.00	18.00