



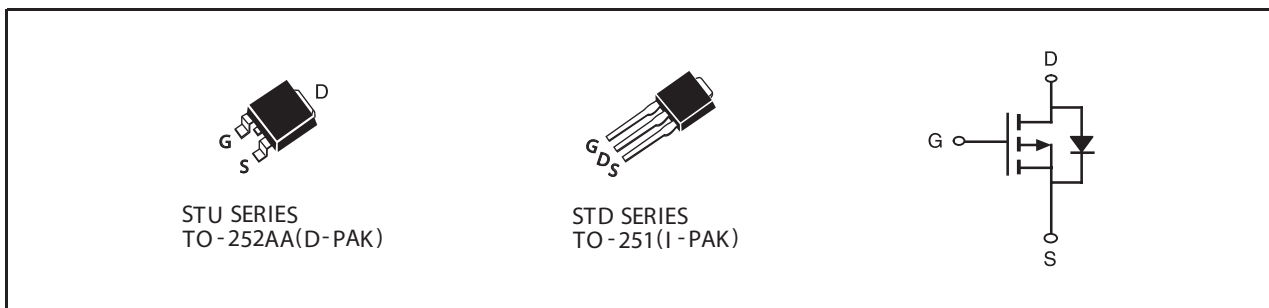
P-Channel Logic Level Enhancement Mode Field Effect Transistor

PRODUCT SUMMARY

VDSS	ID	RDS(ON) (mΩ) Max
-100V	-17A	81 @ VGS=10V
		94 @ VGS=4.5V

FEATURES

- Super high dense cell design for low $R_{DS(ON)}$.
- Rugged and reliable.
- Surface Mount Package.



ABSOLUTE MAXIMUM RATINGS ($T_A=25^\circ\text{C}$ unless otherwise noted)

Symbol	Parameter	Limit	Units
V_{DS}	Drain-Source Voltage	-100	V
V_{GS}	Gate-Source Voltage	± 20	V
I_D	Drain Current-Continuous ^a	$T_C=25^\circ\text{C}$	-17
		$T_C=70^\circ\text{C}$	-13.6
I_{DM}	-Pulsed ^b	-51	A
E_{AS}	Single Pulse Avalanche Energy ^d	110	mJ
P_D	Maximum Power Dissipation ^a	$T_C=25^\circ\text{C}$	42
		$T_C=70^\circ\text{C}$	27
T_J, T_{STG}	Operating Junction and Storage Temperature Range	-55 to 150	$^\circ\text{C}$

THERMAL CHARACTERISTICS

$R_{\theta JC}$	Thermal Resistance, Junction-to-Case ^a	3	$^\circ\text{C/W}$
$R_{\theta JA}$	Thermal Resistance, Junction-to-Ambient ^a	50	$^\circ\text{C/W}$

STU/D17L01

Ver 1.0

ELECTRICAL CHARACTERISTICS (TA=25°C unless otherwise noted)

Symbol	Parameter	Conditions	Min	Typ	Max	Units
OFF CHARACTERISTICS						
BV _{DSS}	Drain-Source Breakdown Voltage	V _{GS} =0V, I _D =-250uA	-100			V
I _{DSS}	Zero Gate Voltage Drain Current	V _{DS} =-80V, V _{GS} =0V			1	uA
I _{GSS}	Gate-Body Leakage Current	V _{GS} = ±20V, V _{DS} =0V			±100	nA
ON CHARACTERISTICS						
V _{GS(th)}	Gate Threshold Voltage	V _{DS} =V _{GS} , I _D =-250uA	-1	-1.8	-3	V
R _{DS(ON)}	Drain-Source On-State Resistance	V _{GS} =-10V, I _D =-8.5A		65	81	m ohm
		V _{GS} =-4.5V, I _D =-7.9A		70	94	m ohm
g _{FS}	Forward Transconductance	V _{DS} =-5V, I _D =-8.5A		38		S
DYNAMIC CHARACTERISTICS °						
C _{ISS}	Input Capacitance	V _{DS} =-25V, V _{GS} =0V f=1.0MHz		4100		pF
C _{OSS}	Output Capacitance			237		pF
C _{RSS}	Reverse Transfer Capacitance			90		pF
SWITCHING CHARACTERISTICS °						
t _{D(ON)}	Turn-On Delay Time	V _{DD} =-50V I _D =-1.0A V _{GS} =-10V R _{GEN} = 6 ohm		78		ns
t _r	Rise Time			69		ns
t _{D(OFF)}	Turn-Off Delay Time			271		ns
t _f	Fall Time			58		ns
Q _g	Total Gate Charge	V _{DS} =-50V, I _D =-8.5A, V _{GS} =-10V		96		nC
		V _{DS} =-50V, I _D =-8.5A, V _{GS} =-4.5V		43		nC
Q _{gs}	Gate-Source Charge	V _{DS} =-50V, I _D =-8.5A, V _{GS} =-10V		12		nC
Q _{gd}	Gate-Drain Charge			20		nC
DRAIN-SOURCE DIODE CHARACTERISTICS AND MAXIMUM RATINGS						
I _S	Maximum Continuous Drain-Source Forward Current				-8	A
V _{SD}	Diode Forward Voltage ^b	V _{GS} =0V, I _S = -8A		-0.8	-1.3	V

Notes

- a.Surface Mounted on FR4 Board, t ≤ 10sec.
b.Pulse Test:Pulse Width ≤ 300us, Duty Cycle ≤ 2%.
c.Guaranteed by design, not subject to production testing.
d.Starting T_J=25°C, L=0.5mH, V_{DD} = 50V .(See Figure13)

Feb,02,2010

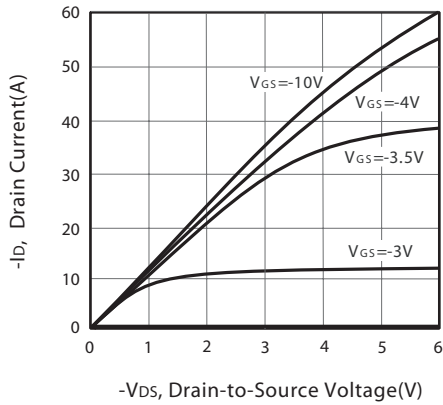


Figure 1. Output Characteristics

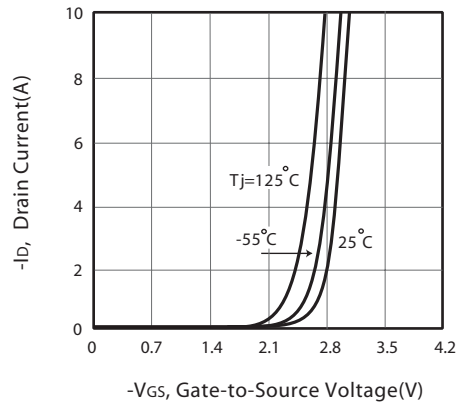


Figure 2. Transfer Characteristics

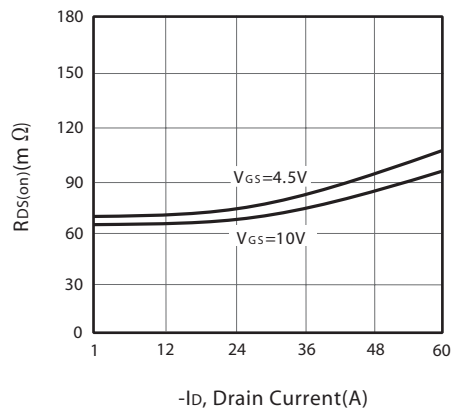


Figure 3. On-Resistance vs. Drain Current and Gate Voltage

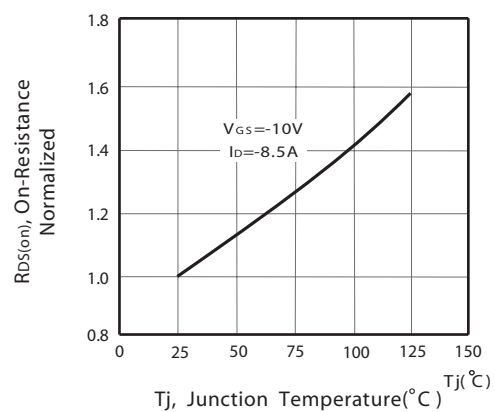


Figure 4. On-Resistance Variation with Drain Current and Temperature

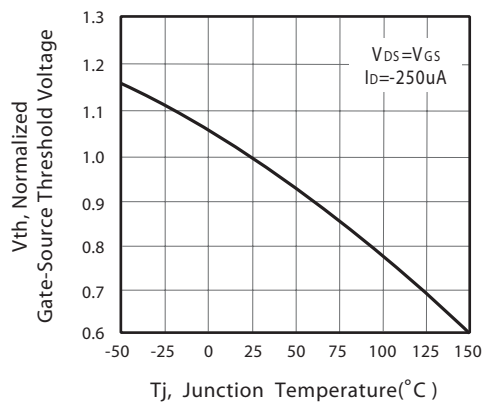


Figure 5. Gate Threshold Variation with Temperature

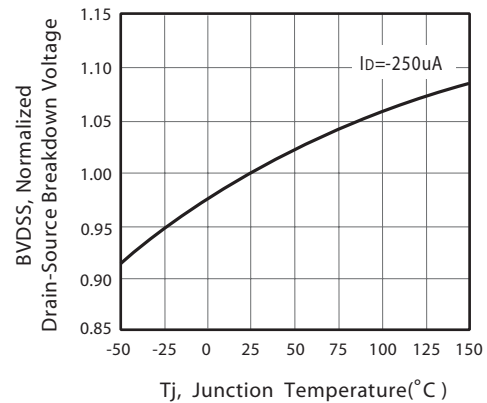


Figure 6. Breakdown Voltage Variation with Temperature

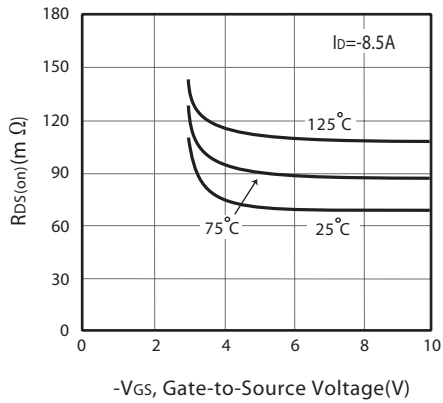


Figure 7. On-Resistance vs. Gate-Source Voltage

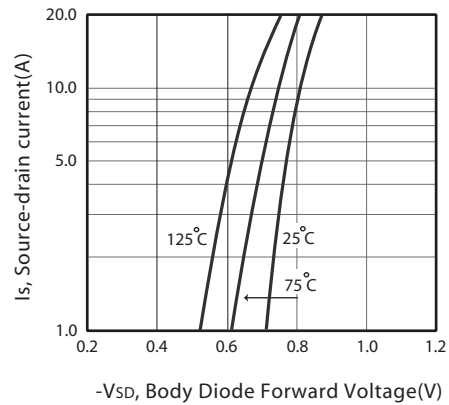


Figure 8. Body Diode Forward Voltage Variation with Source Current

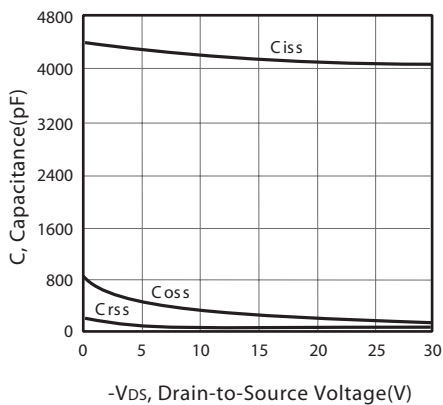


Figure 9. Capacitance

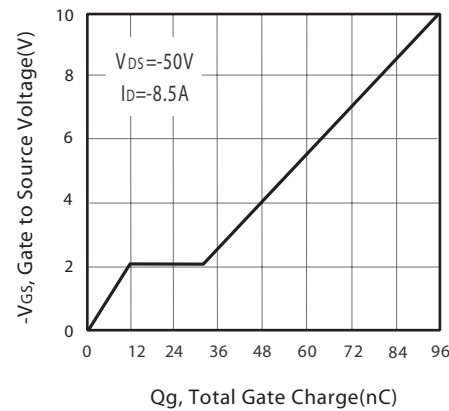


Figure 10. Gate Charge

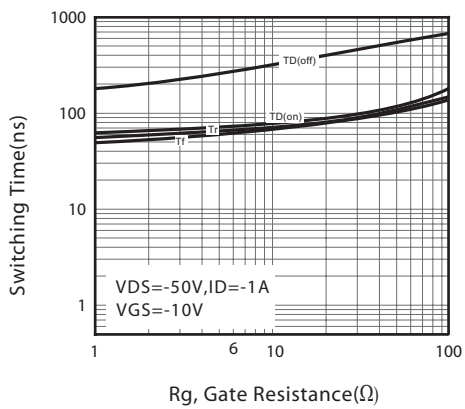


Figure 11. switching characteristics

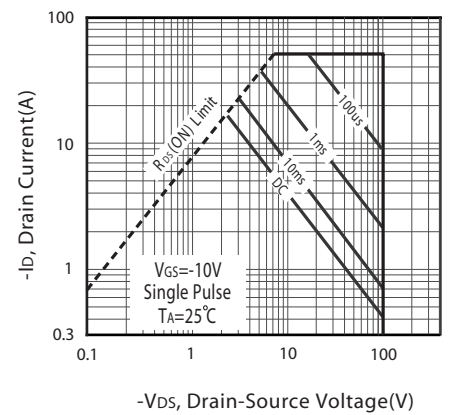
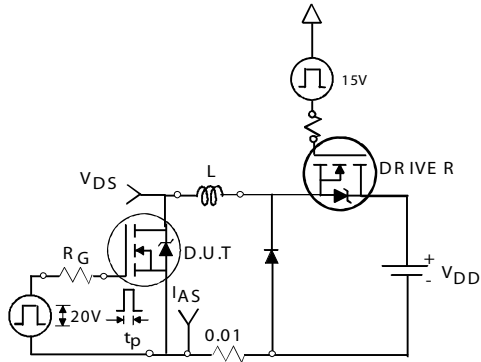
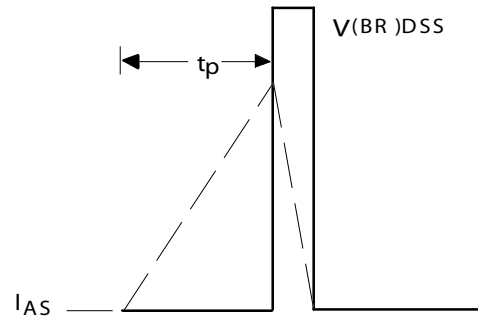


Figure 12. Maximum Safe Operating Area



Unclamped Inductive Test Circuit

Figure 13a.



Unclamped Inductive Waveforms

Figure 13b.

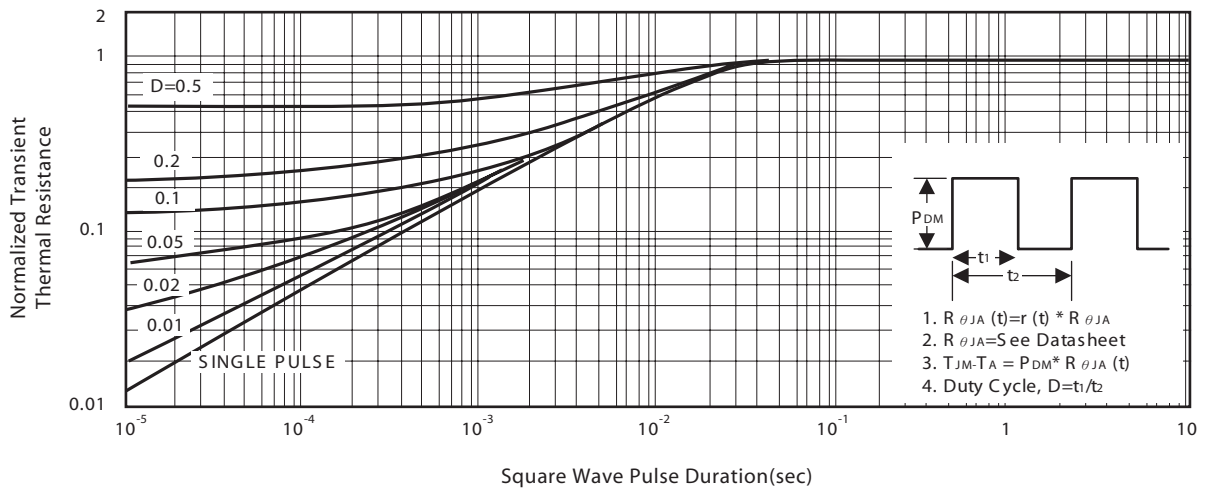
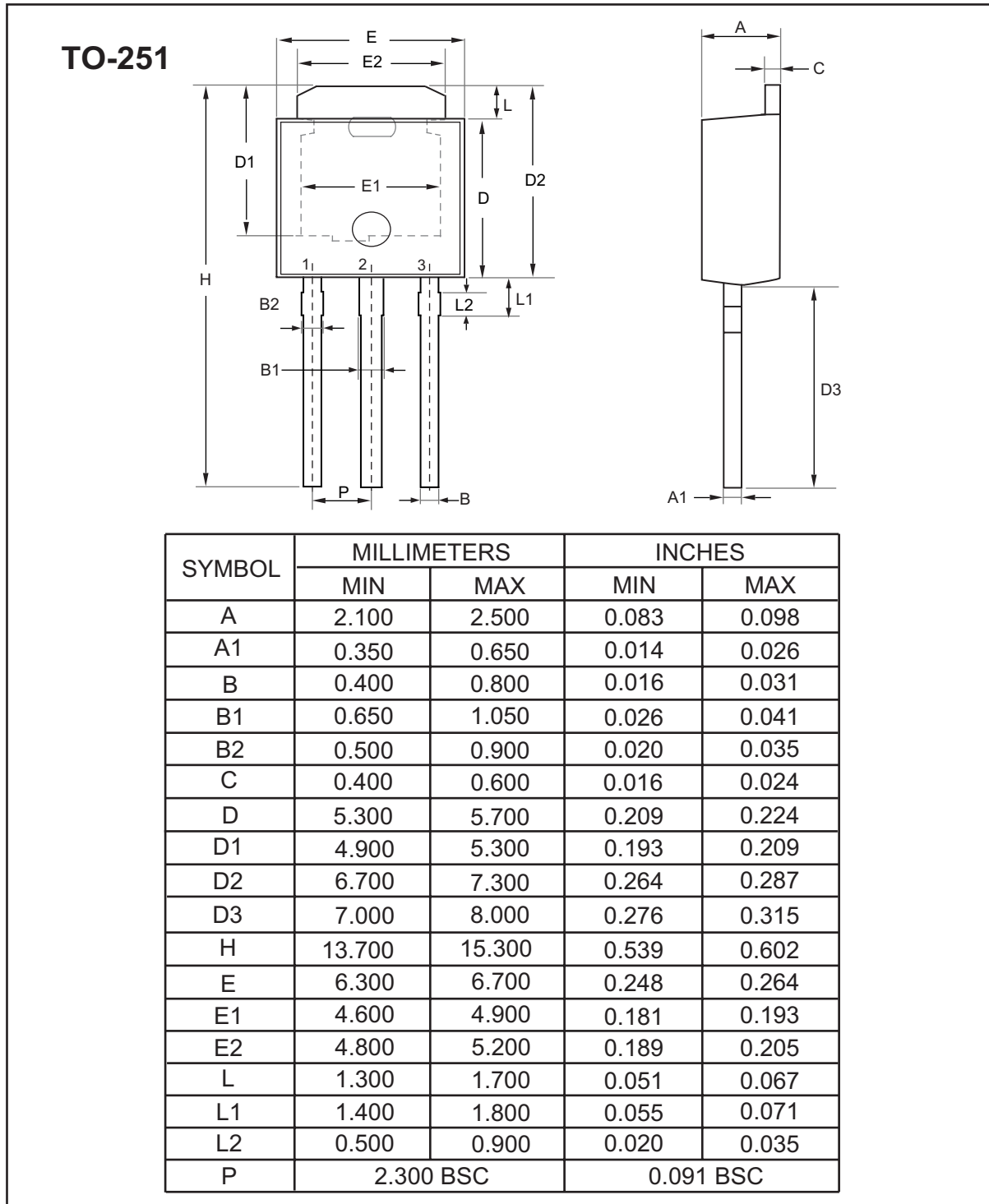


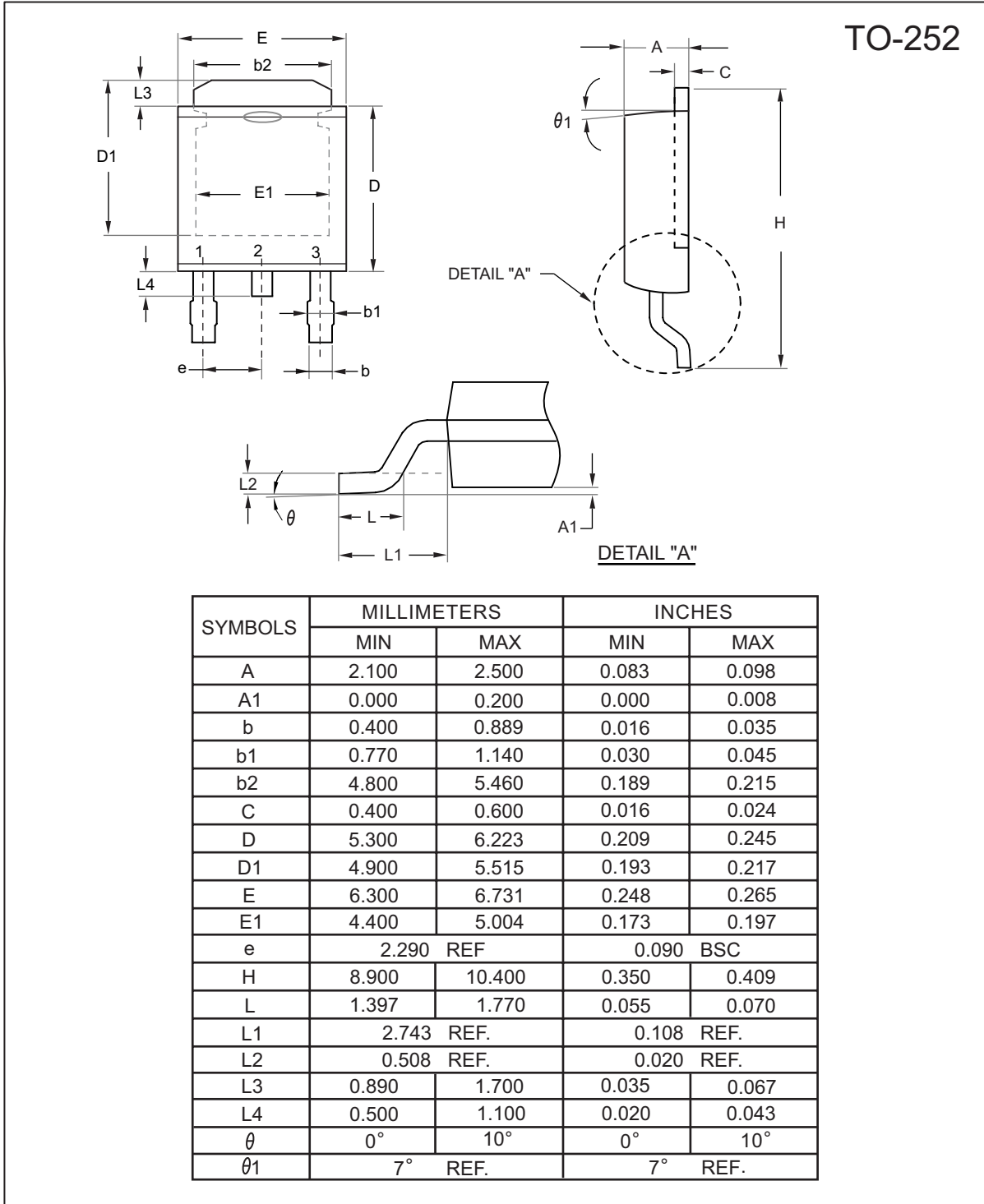
Figure 14. Normalized Thermal Transient Impedance Curve

PACKAGE OUTLINE DIMENSIONS



STU/D17L01

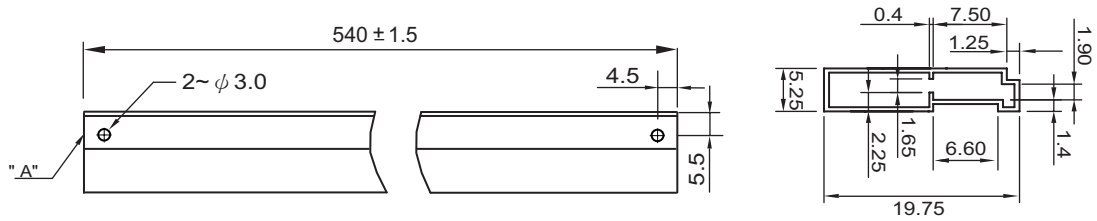
Ver 1.0



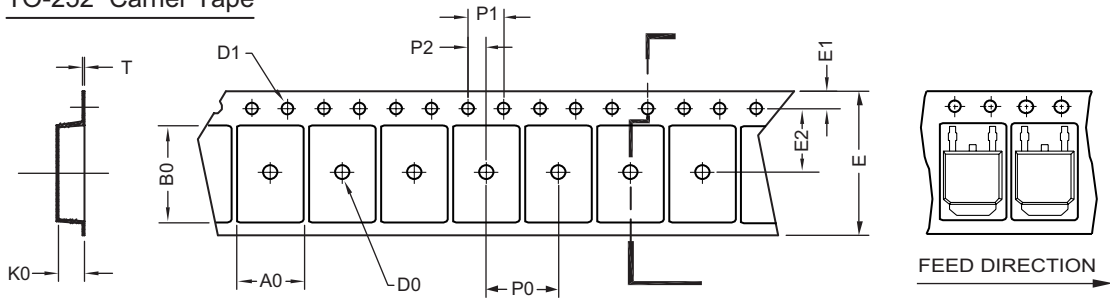
Feb,02,2010

TO251 Tube/TO-252 Tape and Reel Data

TO-251 Tube



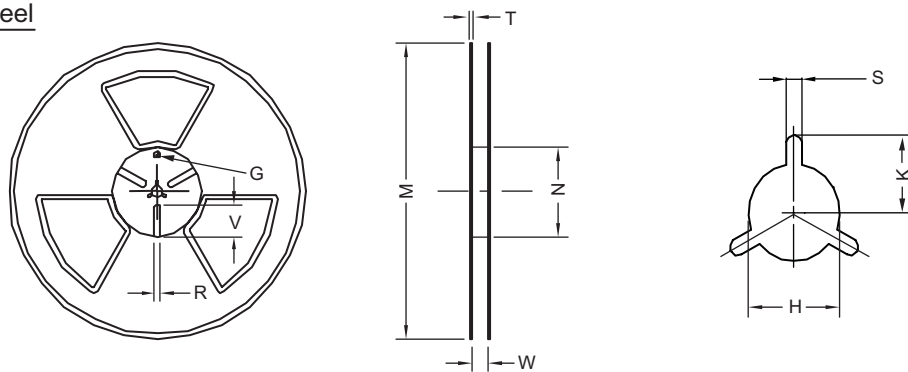
TO-252 Carrier Tape



UNIT:mm

PACKAGE	A0	B0	K0	D0	D1	E	E1	E2	P0	P1	P2	T
TO-252 (16 mm)	6.96 ±0.1	10.49 ±0.1	2.79 ±0.1	φ 2	φ 1.5 +0.1 - 0	16.0 ±0.3	1.75 ±0.1	7.5 ±0.15	8.0 ±0.1	4.0 ±0.1	2.0 ±0.15	0.3 ±0.05

TO-252 Reel



UNIT:mm

TAPE SIZE	REEL SIZE	M	N	W	T	H	K	S	G	R	V
16 mm	φ 330	φ 330 ± 0.5	φ 97 ± 1.0	17.0 + 1.5 - 0	2.2	φ 13.0 + 0.5 - 0.2	10.6	2.0 ±0.5	---	---	---