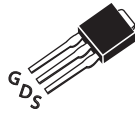
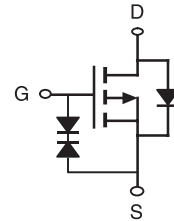


**P-Channel Logic Level Enhancement Mode Field Effect Transistor****PRODUCT SUMMARY**

VDSS	ID	RDS(ON) (mΩ) Max
-40V	-58A	11.5 @ VGS=10V
		16 @ VGS=4.5V

FEATURES

- Super high dense cell design for low RDS(ON).
- Rugged and reliable.
- Surface Mount Package.
- ESD Protected.

STU SERIES
TO-252AA(D-PAK)STD SERIES
TO-251(I-PAK)**ABSOLUTE MAXIMUM RATINGS (TA=25°C unless otherwise noted)**

Symbol	Parameter	Limit	Units	
V _{DS}	Drain-Source Voltage	-40	V	
V _{GS}	Gate-Source Voltage	±20	V	
I _D	Drain Current-Continuous(Package limited)	T _C =25°C	-50	A
	-Continuous(Silicon limited)	T _C =25°C	-58	A
	-Continuous ^a	T _A =25°C	-11	A
I _{DM}	-Pulsed ^b		-175	A
E _{AS}	Single Pulse Avalanche Energy ^d		224	mJ
P _D	Maximum Power Dissipation	T _C =25°C	70	W
	Maximum Power Dissipation ^a	T _A =25°C	2.5	W
T _J , T _{STG}	Operating Junction and Storage Temperature Range		-55 to 150	°C

THERMAL CHARACTERISTICS

R _{θJC}	Thermal Resistance, Junction-to-Case	1.8	°C/W
R _{θJA}	Thermal Resistance, Junction-to-Ambient ^a	50	°C/W

STU/D419S

Ver 1.0

ELECTRICAL CHARACTERISTICS (TA=25°C unless otherwise noted)

Symbol	Parameter	Conditions	Min	Typ	Max	Units
OFF CHARACTERISTICS						
BV _{DSS}	Drain-Source Breakdown Voltage	V _{GS} =0V , I _D =-250uA	-40			V
I _{DSS}	Zero Gate Voltage Drain Current	V _{DS} =-32V , V _{GS} =0V			1	uA
I _{GSS}	Gate-Body Leakage Current	V _{GS} = ±20V , V _{DS} =0V			±10	uA
ON CHARACTERISTICS						
V _{GS(th)}	Gate Threshold Voltage	V _{DS} =V _{GS} , I _D =-250uA	-1	-1.5	-3	V
R _{DS(ON)}	Drain-Source On-State Resistance	V _{GS} =-10V , I _D =-20A		9.6	11.5	m ohm
		V _{GS} =-4.5V , I _D =-17A		12.5	16	m ohm
g _{FS}	Forward Transconductance	V _{DS} =-10V , I _D =-20A		9		S
DYNAMIC CHARACTERISTICS °						
C _{ISS}	Input Capacitance	V _{DS} =-20V, V _{GS} =0V f=1.0MHz		3550		pF
C _{OSS}	Output Capacitance			710		pF
C _{RSS}	Reverse Transfer Capacitance			420		pF
SWITCHING CHARACTERISTICS °						
t _{D(ON)}	Turn-On Delay Time	V _{DD} =-20V I _D =-1.0A V _{GS} =-10V R _{GEN} =3.3 ohm		40		ns
t _r	Rise Time			70		ns
t _{D(OFF)}	Turn-Off Delay Time			345		ns
t _f	Fall Time			125		ns
Q _g	Total Gate Charge	V _{DS} =-20V, I _D =-20A, V _{GS} =-10V		87		nC
		V _{DS} =-20V, I _D =-20A, V _{GS} =-4.5V		42		nC
Q _{gs}	Gate-Source Charge	V _{DS} =-20V, I _D =-20A, V _{GS} =-10V		9		nC
Q _{gd}	Gate-Drain Charge			20		nC
DRAIN-SOURCE DIODE CHARACTERISTICS AND MAXIMUM RATINGS						
I _S	Maximum Continuous Drain-Source Forward Current				-2.0	A
V _{SD}	Diode Forward Voltage ^b	V _{GS} =0V, I _S = -2.0A		-0.77	-1.3	V

Notes

- Surface Mounted on FR4 Board, t ≤ 10sec.
- Pulse Test: Pulse Width ≤ 300us, Duty Cycle ≤ 2%.
- Guaranteed by design, not subject to production testing.
- Starting T_J=25°C, L=1.25mH, V_{DD} = 30V .(See Figure13)

Sep,15,2008

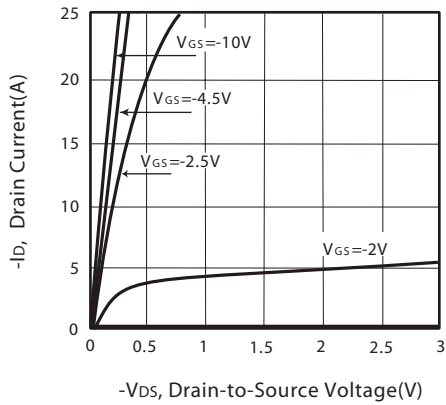


Figure 1. Output Characteristics

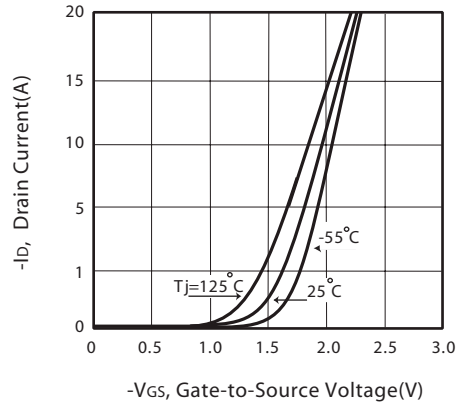


Figure 2. Transfer Characteristics

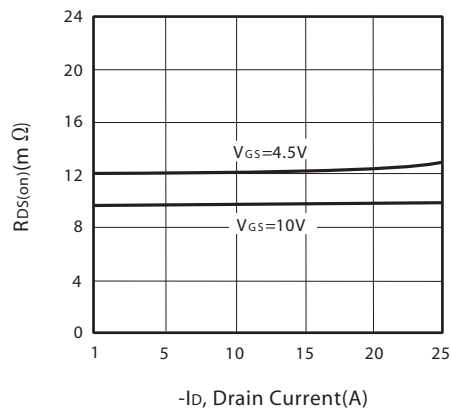


Figure 3. On-Resistance vs. Drain Current and Gate Voltage

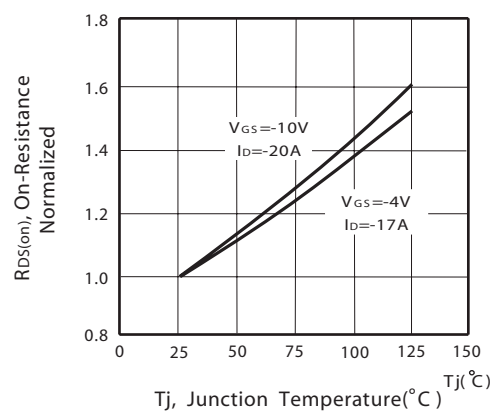


Figure 4. On-Resistance Variation with Drain Current and Temperature

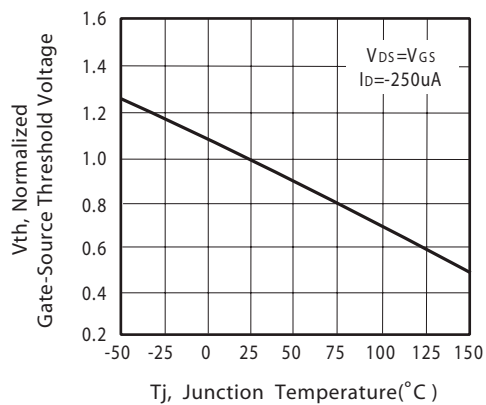


Figure 5. Gate Threshold Variation with Temperature

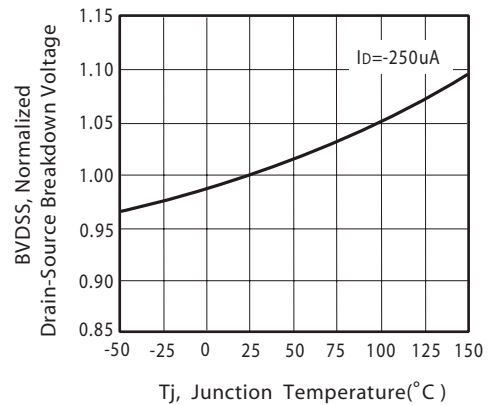


Figure 6. Breakdown Voltage Variation with Temperature

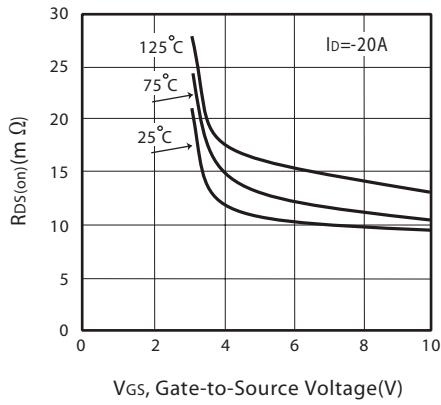


Figure 7. On-Resistance vs. Gate-Source Voltage

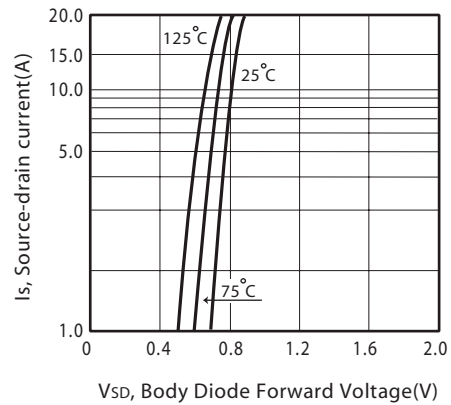


Figure 8. Body Diode Forward Voltage Variation with Source Current

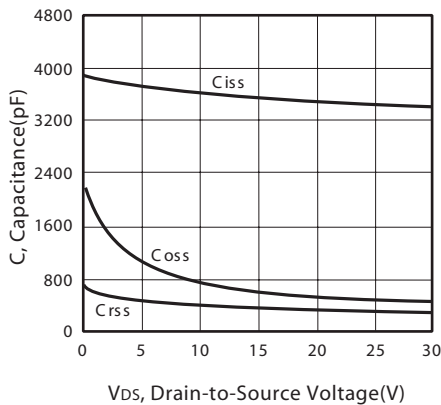


Figure 9. Capacitance

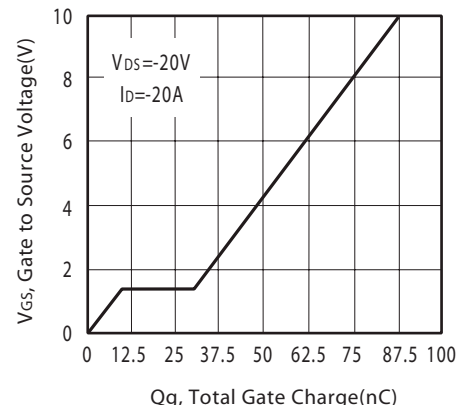


Figure 10. Gate Charge

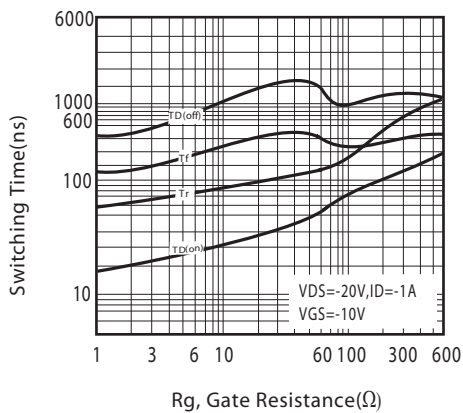


Figure 11. switching characteristics

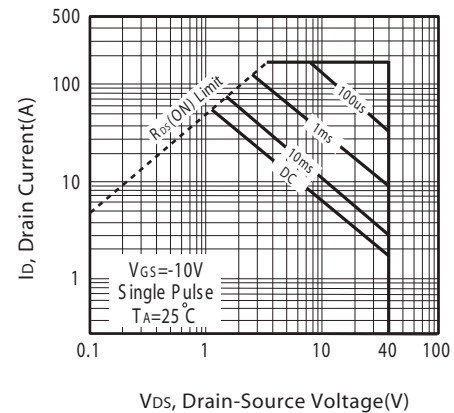
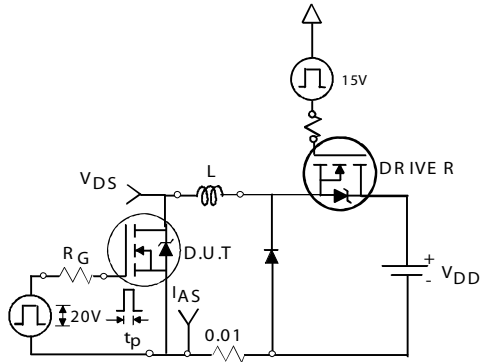
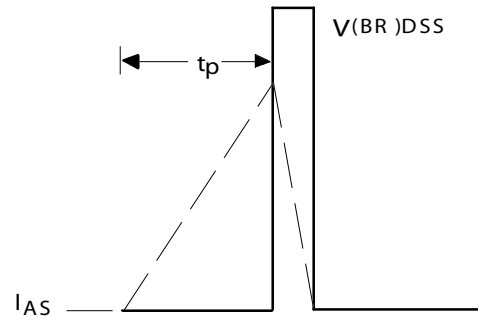


Figure 12. Maximum Safe Operating Area



Unclamped Inductive Test Circuit

Figure 13a.



Unclamped Inductive Waveforms

Figure 13b.

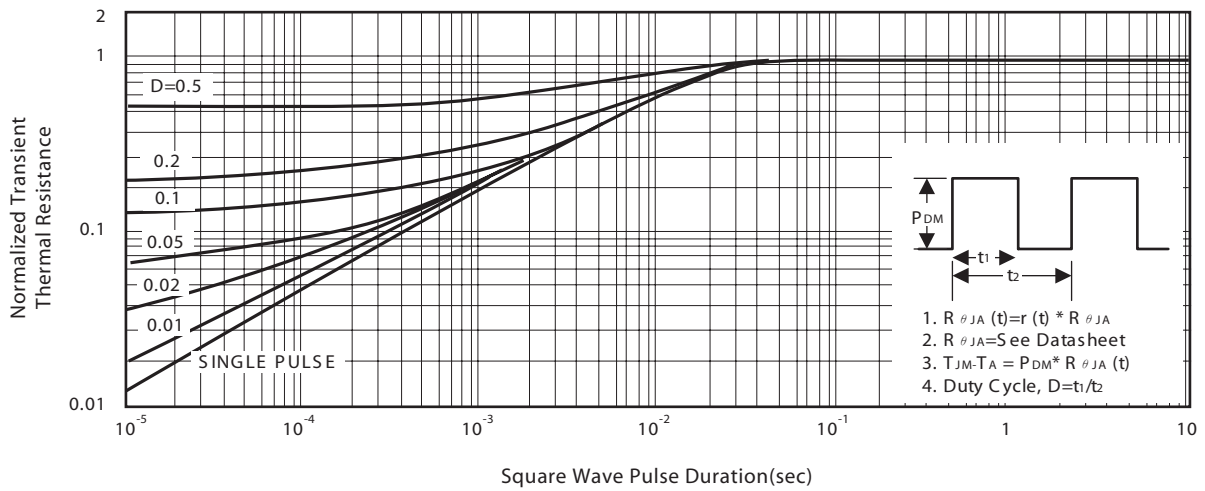
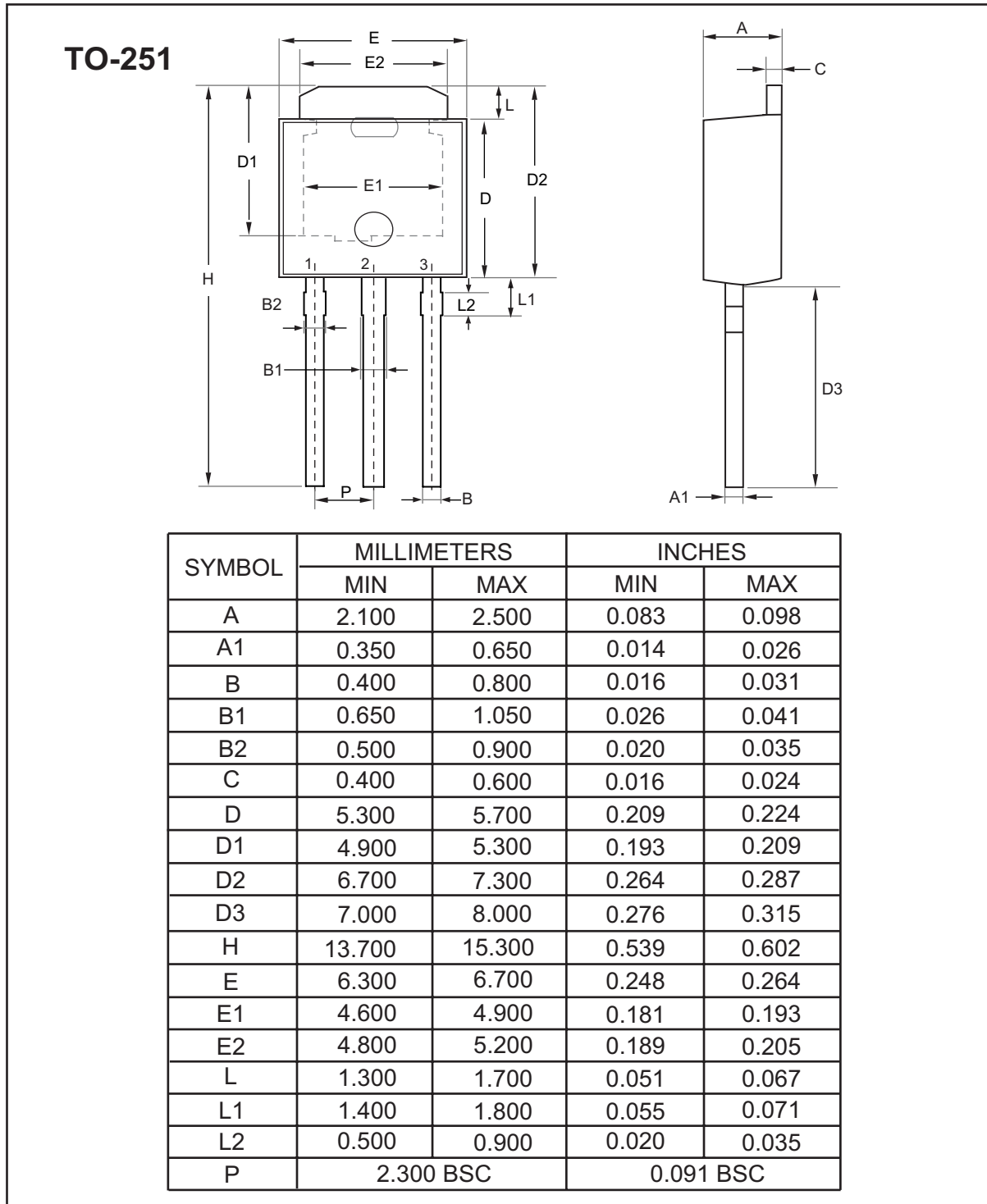


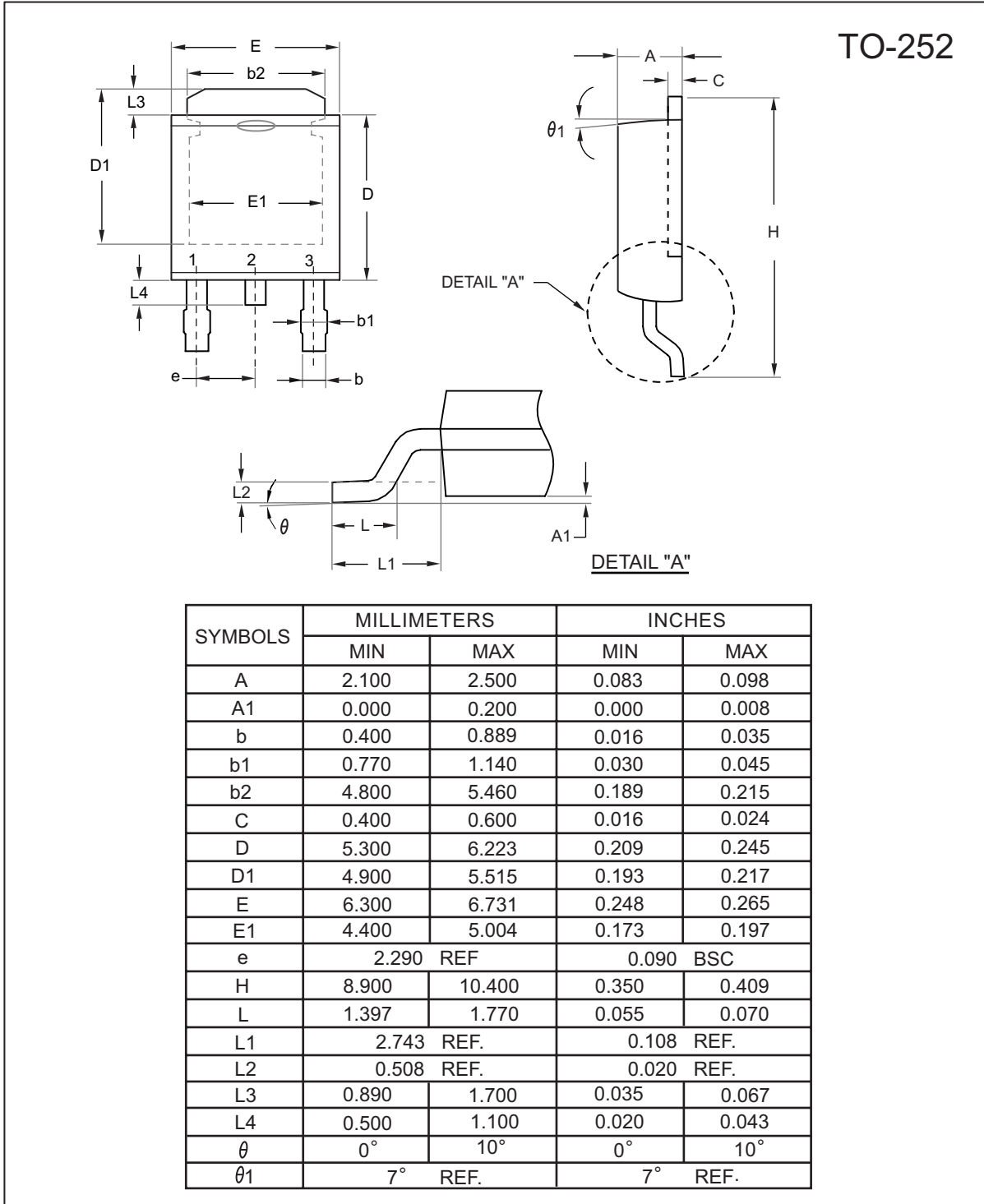
Figure 14. Normalized Thermal Transient Impedance Curve

PACKAGE OUTLINE DIMENSIONS



STU/D419S

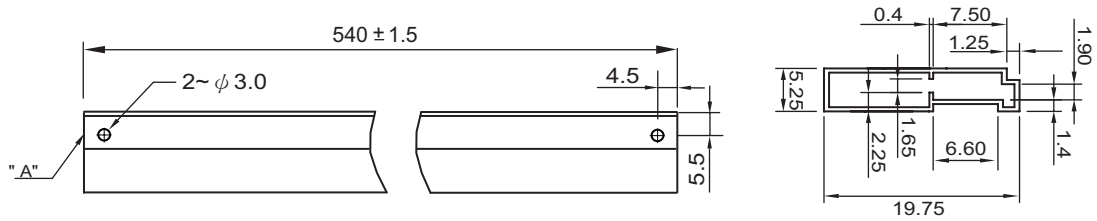
Ver 1.0



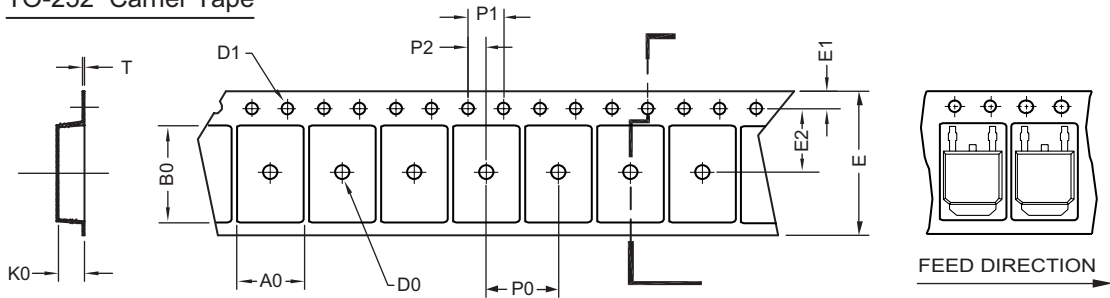
Sep,15,2008

TO251 Tube/TO-252 Tape and Reel Data

TO-251 Tube



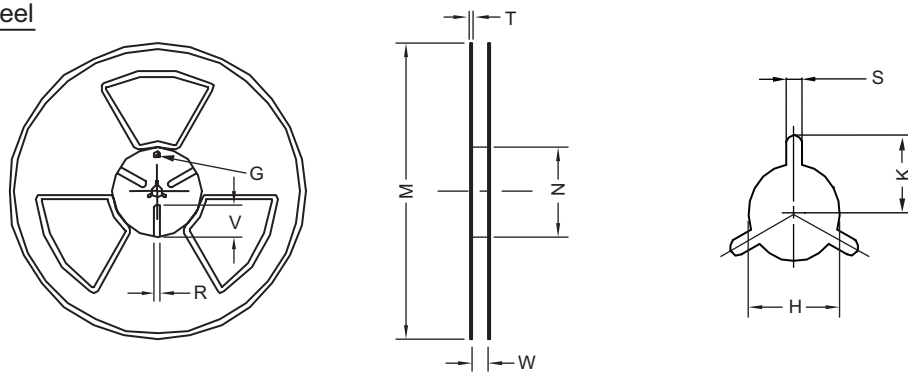
TO-252 Carrier Tape



UNIT:mm

PACKAGE	A0	B0	K0	D0	D1	E	E1	E2	P0	P1	P2	T
TO-252 (16 mm)	6.96 ±0.1	10.49 ±0.1	2.79 ±0.1	φ 2	φ 1.5 + 0.1 - 0	16.0 ±0.3	1.75 ±0.1	7.5 ±0.15	8.0 ±0.1	4.0 ±0.1	2.0 ±0.15	0.3 ±0.05

TO-252 Reel



UNIT:mm

TAPE SIZE	REEL SIZE	M	N	W	T	H	K	S	G	R	V
16 mm	φ 330	φ 330 ± 0.5	φ 97 ± 1.0	17.0 + 1.5 - 0	2.2	φ 13.0 + 0.5 - 0.2	10.6	2.0 ±0.5	---	---	---