



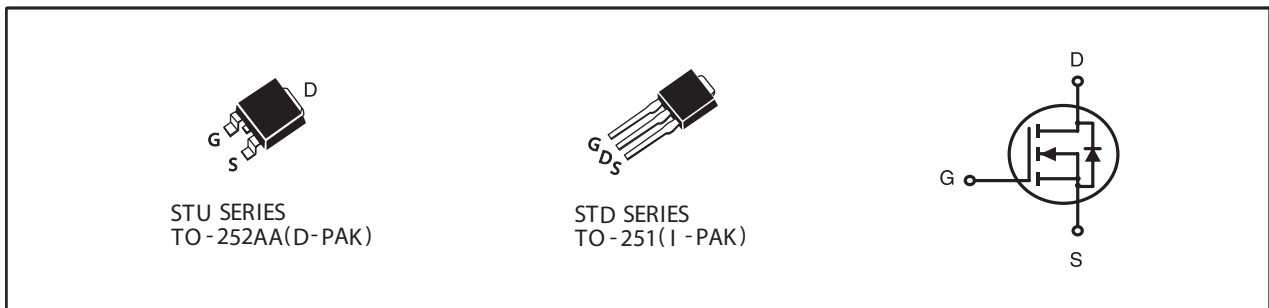
## N-Channel Logic Level Enhancement Mode Field Effect Transistor

### PRODUCT SUMMARY

| V <sub>DSS</sub> | I <sub>D</sub> | R <sub>DS(ON)</sub> (mΩ) Max |
|------------------|----------------|------------------------------|
| 40V              | 38A            | 11 @ V <sub>GS</sub> =10V    |
|                  |                | 15 @ V <sub>GS</sub> =4.5V   |

### FEATURES

- Super high dense cell design for low R<sub>DS(ON)</sub>.
- Rugged and reliable.
- TO-252 and TO-251 Package.



### ABSOLUTE MAXIMUM RATINGS (T<sub>C</sub>=25°C unless otherwise noted)

| Symbol                            | Parameter  | Limit                | Units |
|-----------------------------------|--|----------------------|-------|
| V <sub>DS</sub>                   | Drain-Source Voltage                             | 40                   | V     |
| V <sub>GS</sub>                   | Gate-Source Voltage                              | ±20                  | V     |
| I <sub>D</sub>                    | Drain Current-Continuous                         | T <sub>C</sub> =25°C | 38    |
|                                   |  | T <sub>C</sub> =70°C | 30    |
| I <sub>DM</sub>                   | -Pulsed <sup>a</sup>                             | 111                  | A     |
| P <sub>D</sub>                    | Maximum Power Dissipation                        | T <sub>C</sub> =25°C | 42    |
|                                   |  | T <sub>C</sub> =70°C | 27    |
| T <sub>J</sub> , T <sub>STG</sub> | Operating Junction and Storage Temperature Range | -55 to 150           | °C    |

### THERMAL CHARACTERISTICS

|                  |   |    |      |
|------------------|---|----|------|
| R <sub>θJC</sub> | Thermal Resistance, Junction-to-Case    | 3  | °C/W |
| R <sub>θJA</sub> | Thermal Resistance, Junction-to-Ambient | 50 | °C/W |

# STU/D466S

Ver 1.0

## ELECTRICAL CHARACTERISTICS (T<sub>C</sub>=25°C unless otherwise noted)

| Symbol  | Parameter                        | Conditions   | Min | Typ  | Max  | Units |
|---|----------------------------------|--|-----|------|------|-------|
| <b>OFF CHARACTERISTICS</b>                                    |                                  |  |     |      |      |       |
| BV <sub>DSS</sub>   | Drain-Source Breakdown Voltage   | V <sub>GS</sub> =0V, I <sub>D</sub> =250uA                         | 40  |      |      | V     |
| I <sub>DSS</sub>  | Zero Gate Voltage Drain Current  | V <sub>DS</sub> =32V, V <sub>GS</sub> =0V                          |     |      | 1    | uA    |
| I <sub>GSS</sub>  | Gate-Body Leakage Current        | V <sub>GS</sub> = ±20V, V <sub>DS</sub> =0V                        |     |      | ±100 | nA    |
| <b>ON CHARACTERISTICS</b>                                     |                                  |  |     |      |      |       |
| V <sub>GS(th)</sub>   | Gate Threshold Voltage           | V <sub>DS</sub> =V <sub>GS</sub> , I <sub>D</sub> =250uA           | 1   | 1.7  | 3    | V     |
| R <sub>DS(ON)</sub>   | Drain-Source On-State Resistance | V <sub>GS</sub> =10V, I <sub>D</sub> =19A                          |     | 9.5  | 11   | m ohm |
|   |                                  | V <sub>GS</sub> =4.5V, I <sub>D</sub> =17A                         |     | 11   | 15   | m ohm |
| g <sub>FS</sub>   | Forward Transconductance         | V <sub>DS</sub> =5V, I <sub>D</sub> =19A                           |     | 55   |      | S     |
| <b>DYNAMIC CHARACTERISTICS<sup>b</sup></b>                    |                                  |  |     |      |      |       |
| C <sub>ISS</sub>  | Input Capacitance                | V <sub>DS</sub> =20V, V <sub>GS</sub> =0V<br>f=1.0MHz              |     | 2245 |      | pF    |
| C <sub>OSS</sub>  | Output Capacitance               |  |     | 321  |      | pF    |
| C <sub>RSS</sub>  | Reverse Transfer Capacitance     |  |     | 147  |      | pF    |
| <b>SWITCHING CHARACTERISTICS<sup>b</sup></b>                  |                                  |  |     |      |      |       |
| t <sub>D(ON)</sub>  | Turn-On Delay Time               | V <sub>DD</sub> =20V<br>I <sub>D</sub> =1A                         |     | 35   |      | ns    |
| t <sub>r</sub>  | Rise Time                        |  |     | 23   |      | ns    |
| t <sub>D(OFF)</sub>   | Turn-Off Delay Time              | V <sub>GS</sub> =10V<br>R <sub>GEN</sub> = 6 ohm                   |     | 72   |      | ns    |
| t <sub>f</sub>  | Fall Time                        |  |     | 42   |      | ns    |
| Q <sub>g</sub>  | Total Gate Charge                | V <sub>DS</sub> =20V, I <sub>D</sub> =19A, V <sub>GS</sub> =10V    |     | 29   |      | nC    |
|   |                                  | V <sub>DS</sub> =20V, I <sub>D</sub> =19A, V <sub>GS</sub> =4.5V   |     | 13   |      | nC    |
| Q <sub>gs</sub>   | Gate-Source Charge               | V <sub>DS</sub> =20V, I <sub>D</sub> =19A,<br>V <sub>GS</sub> =10V |     | 3.3  |      | nC    |
| Q <sub>gd</sub>   | Gate-Drain Charge                |  |     | 5.7  |      | nC    |
| <b>DRAIN-SOURCE DIODE CHARACTERISTICS AND MAXIMUM RATINGS</b> |                                  |  |     |      |      |       |
| V <sub>SD</sub>   | Diode Forward Voltage            | V <sub>GS</sub> =0V, I <sub>S</sub> =7A                            |     | 0.8  | 1.3  | V     |
| <b>Notes</b>  |                                  |  |     |      |      |       |
| a.Pulse Test:Pulse Width < 300us, Duty Cycle < 2%.            |                                  |  |     |      |      |       |
| b.Guaranteed by design, not subject to production testing.    |                                  |  |     |      |      |       |

Feb,06,2013

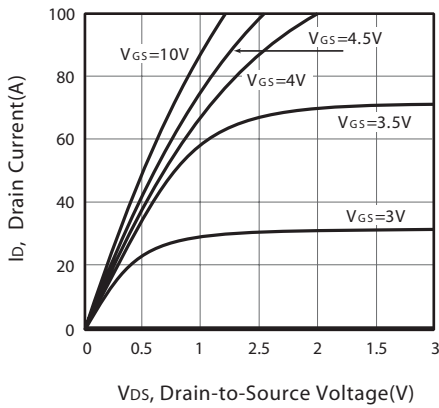


Figure 1. Output Characteristics

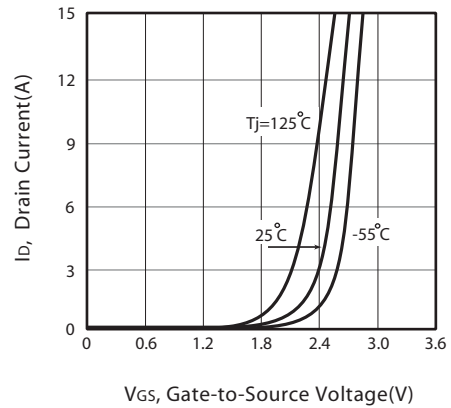


Figure 2. Transfer Characteristics

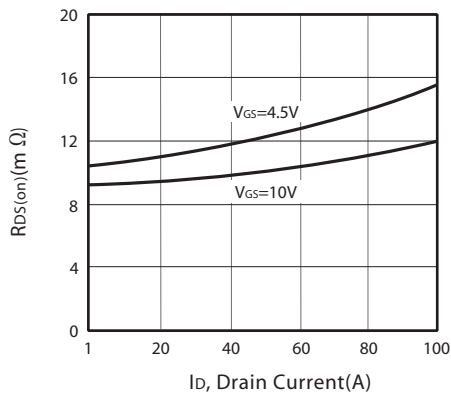


Figure 3. On-Resistance vs. Drain Current and Gate Voltage

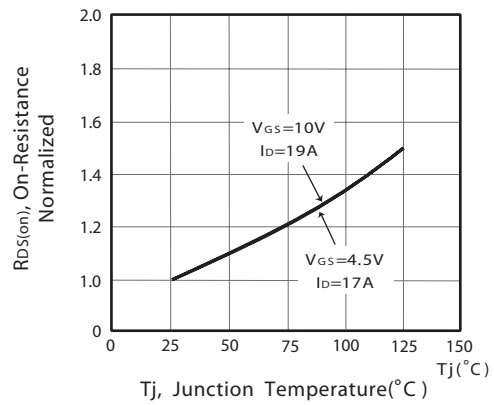


Figure 4. On-Resistance Variation with Drain Current and Temperature

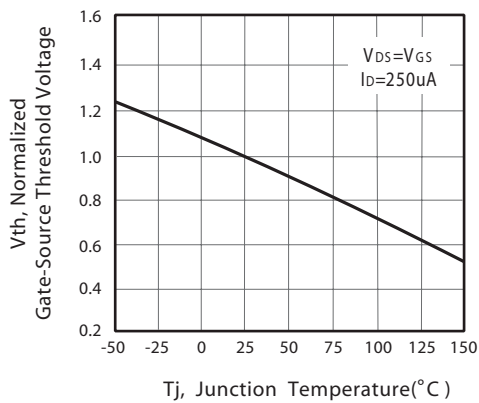


Figure 5. Gate Threshold Variation with Temperature

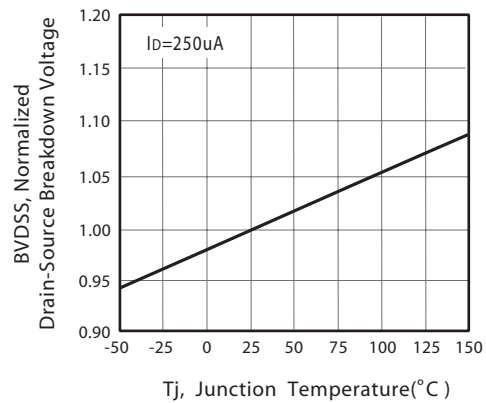


Figure 6. Breakdown Voltage Variation with Temperature

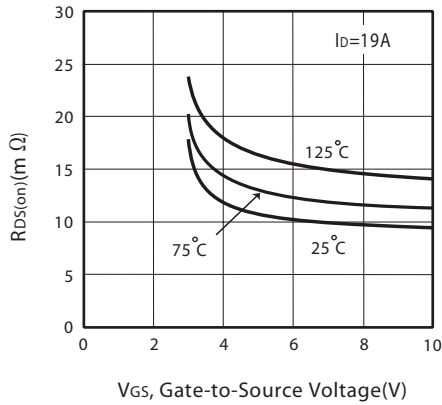


Figure 7. On-Resistance vs. Gate-Source Voltage

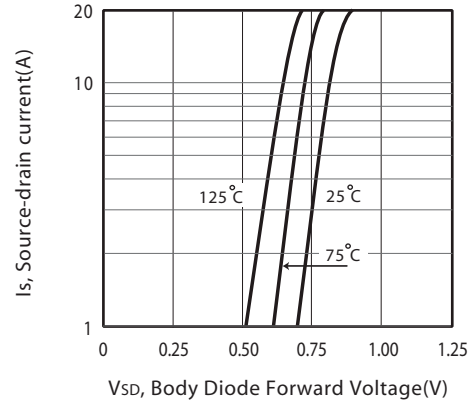


Figure 8. Body Diode Forward Voltage Variation with Source Current

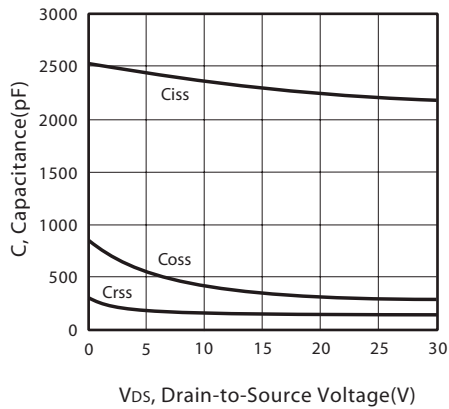


Figure 9. Capacitance

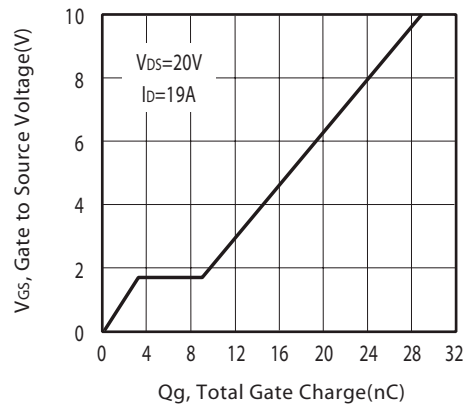


Figure 10. Gate Charge

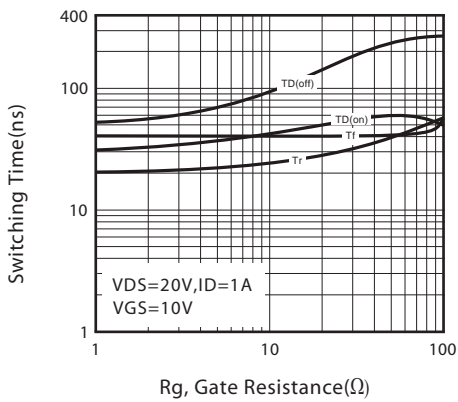


Figure 11. switching characteristics

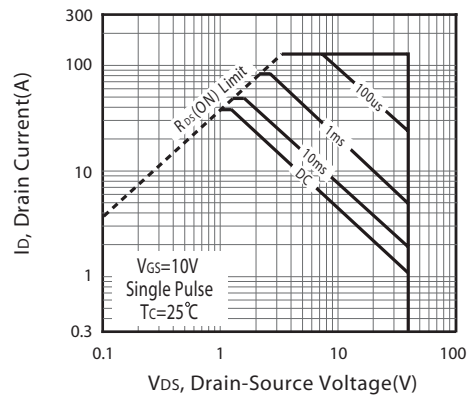


Figure 12. Maximum Safe Operating Area

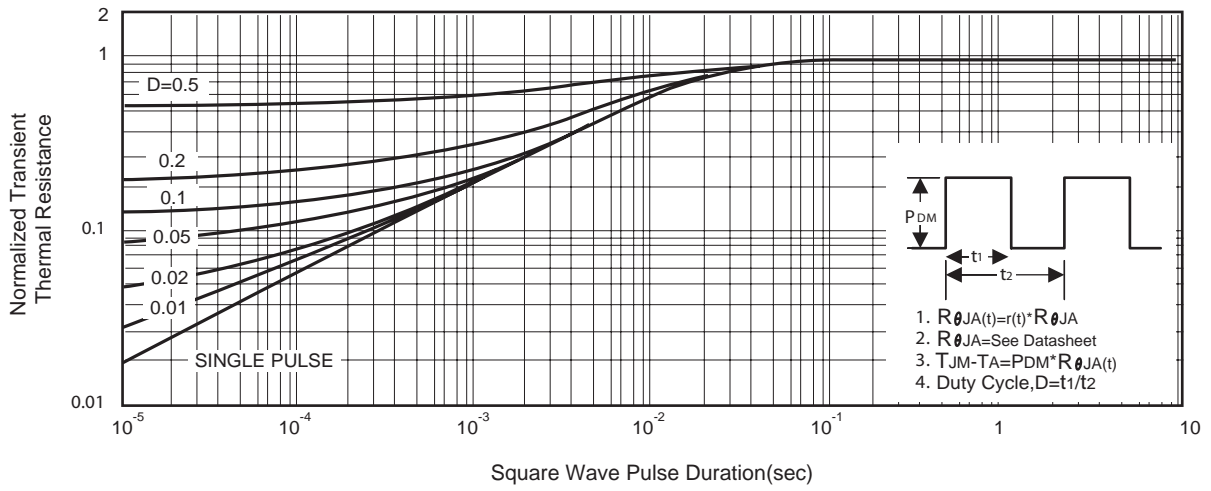
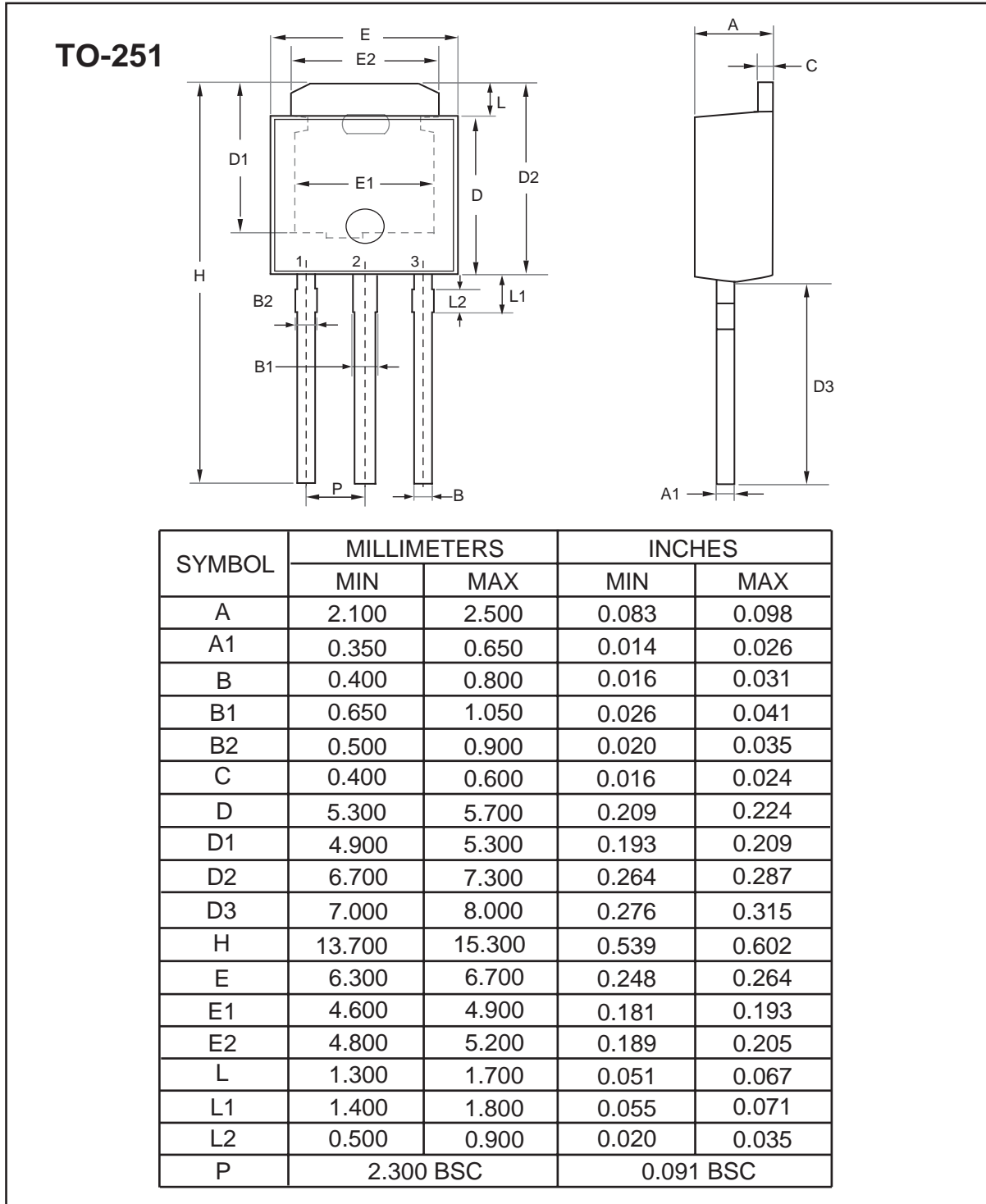
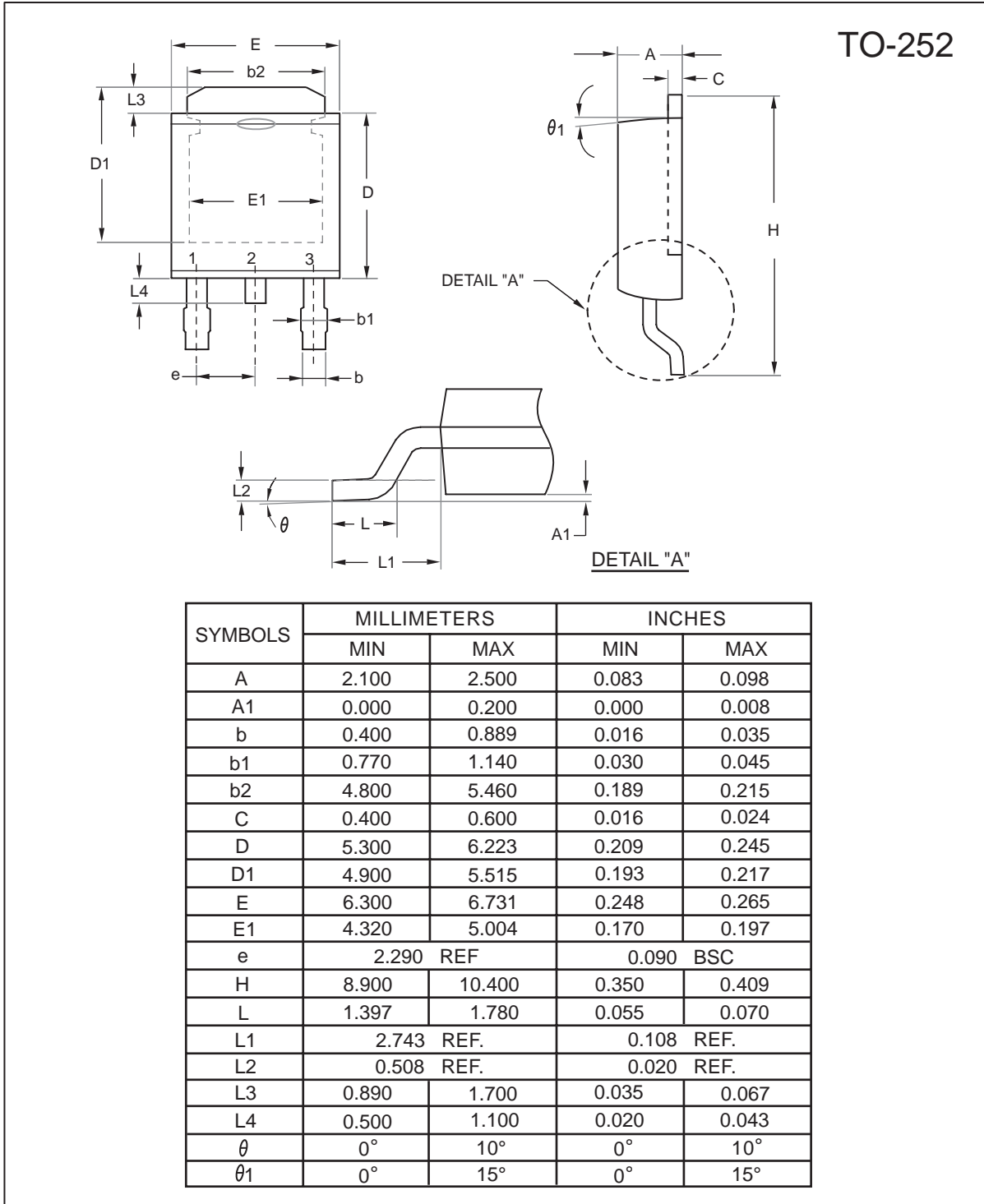


Figure 13. Normalized Thermal Transient Impedance Curve

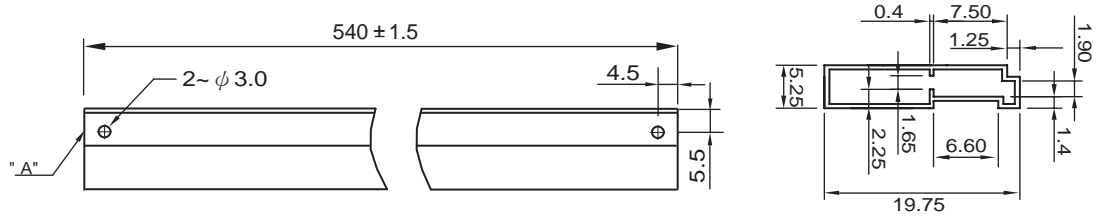
## PACKAGE OUTLINE DIMENSIONS



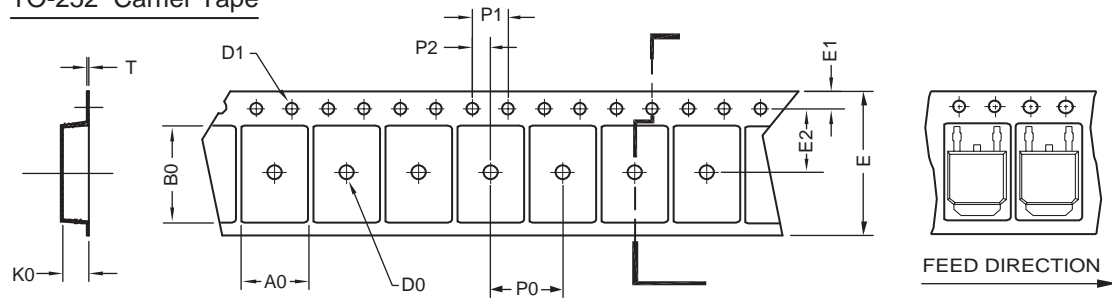


## TO-251 Tube/TO-252 Tape and Reel Data

### TO-251 Tube



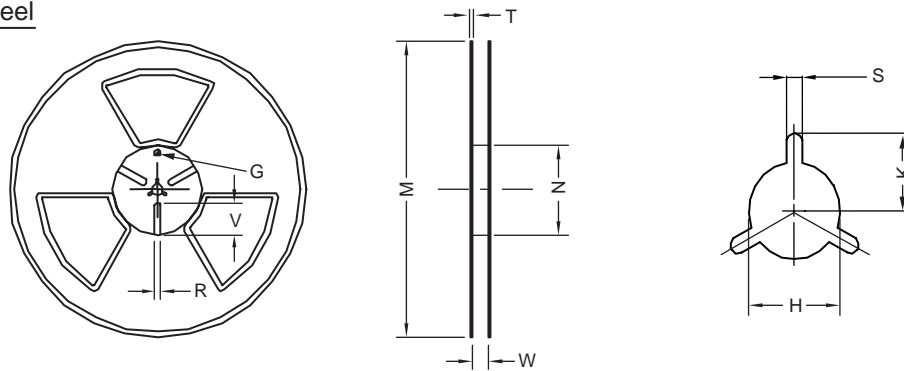
### TO-252 Carrier Tape



UNIT:mm

| PACKAGE           | A0           | B0            | K0           | D0  | D1                   | E            | E1           | E2           | P0          | P1          | P2           | T            |
|-------------------|--------------|---------------|--------------|-----|----------------------|--------------|--------------|--------------|-------------|-------------|--------------|--------------|
| TO-252<br>(16 mm) | 6.96<br>±0.1 | 10.49<br>±0.1 | 2.79<br>±0.1 | φ 2 | φ 1.5<br>+0.1<br>- 0 | 16.0<br>±0.3 | 1.75<br>±0.1 | 7.5<br>±0.15 | 8.0<br>±0.1 | 4.0<br>±0.1 | 2.0<br>±0.15 | 0.3<br>±0.05 |

### TO-252 Reel



UNIT:mm

| TAPE SIZE | REEL SIZE | M              | N             | W                    | T   | H                        | K    | S           | G   | R   | V   |
|-----------|-----------|----------------|---------------|----------------------|-----|--------------------------|------|-------------|-----|-----|-----|
| 16 mm     | φ 330     | φ 330<br>± 0.5 | φ 97<br>± 1.0 | 17.0<br>+ 1.5<br>- 0 | 2.2 | φ 13.0<br>+ 0.5<br>- 0.2 | 10.6 | 2.0<br>±0.5 | --- | --- | --- |