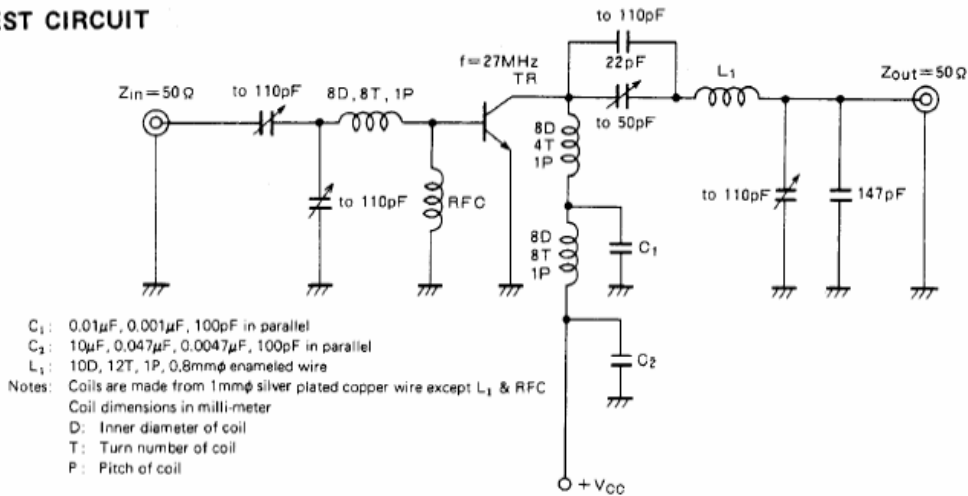


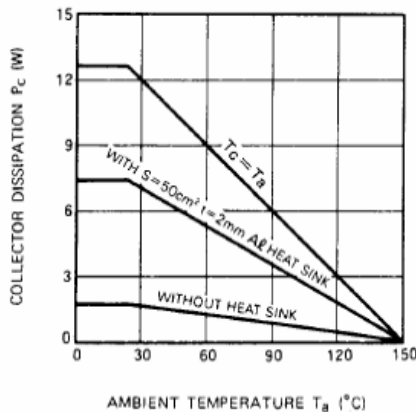


TEST CIRCUIT

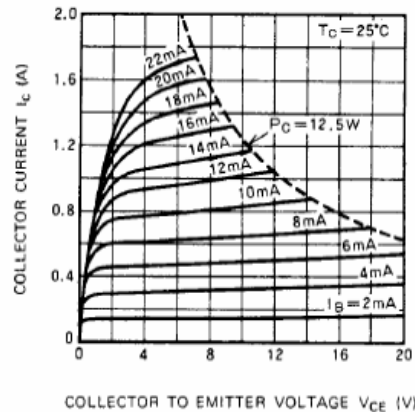


TYPICAL PERFORMANCE DATA

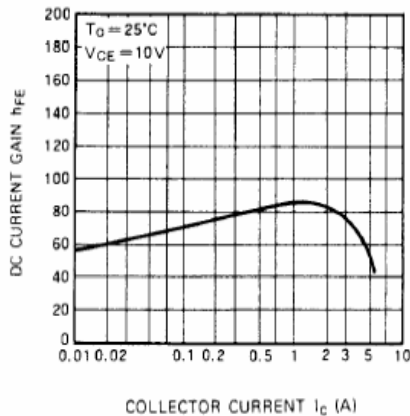
COLLECTOR DISSIPATION VS. AMBIENT TEMPERATURE



COLLECTOR CURRENT VS. COLLECTOR TO EMITTER VOLTAGE



DC CURRENT GAIN VS. COLLECTOR CURRENT



COLLECTOR TO EMITTER BREAKDOWN VOLTAGE VS. BASE TO EMITTER RESISTANCE

