

用途:

Purpose: Power Amplifier switching applications.

特点:。饱和压降低, 与 2SA1315 互补.

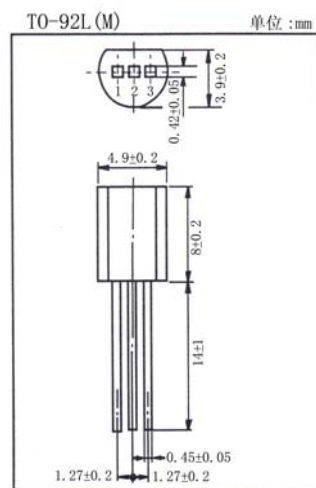
Features: Low VCEsat voltage: VCE(sat)=0.5V(MAX.)(IC=1A).

High speed switching time: $t_{stg}=1.0\mu s$ (Typ.)

complementary pair with 2SA1315.

极限参数/Absolute maximum ratings(Ta=25°C)

参数符号 Symbol	数值 Rating	单位 Unit
V _{CB0}	80	V
V _{CE0}	80	V
V _{EB0}	5.0	V
I _C	2	A
I _B	1	A
P _C	900	mW
T _j	150	°C
T _{stg}	-55~150	°C



引脚: 1.E 2.C 3.B

电性能参数/Electrical characteristics(Ta=25°C)

参数符号 Symbol	测试条件 Test condition	数值 Rating			单位 Unit
		最小值 Min	典型值 Typ	最大值 Max	
V _{BR(CEO)}	I _C =10mA I _E =0	80			V
I _{CB0}	V _{CB} =80V I _E =0			1.0	μA
I _{EB0}	V _{EB} =5.0V I _C =0			1.0	μA
h _{FE(1)}	V _{CE} =2.0V I _C =0.5A	70		240	
h _{FE(2)}	V _{CE} =2.0V I _C =1.5A	40			
V _{CE(sat)}	I _C =1.0A I _B =0.05A		0.15	0.5	V
V _{BE(sat)}	I _C =1.0A I _B =0.05A		0.9	1.2	V
f _T	V _{CE} =2.0V I _C =0.5A		100		MHz
C _{ob}	V _{CB} =10V I _E =0 f=1.0MHz		30		pF
t _{on}	I _{B1} =-I _{B2} =0.05A, DUTY CYCLE≤1%		0.2		μs
t _{stg}			1.0		
t _f			0.2		

h_{FE(1)} Classification=O:70~140 Y:120~240

2SC3328 (3DG3328)

