



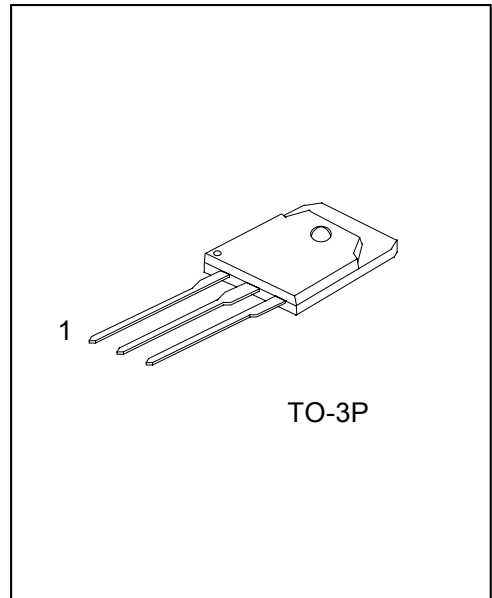
MJE13011

NPN EPITAXIAL SILICON TRANSISTOR

HIGH VOLTAGE HIGH SPEED SWITCHING

■ FEATURES

- * High voltage, high speed switching
- * High reliability



*Pb-free plating product number: MJE13011L

■ PIN CONFIGURATION

PIN NO.	PIN NAME
1	BASE
2	COLLECTOR
3	EMITTER

■ ORDERING INFORMATION

Order Number		Package	Packing
Normal	Lead Free Plating		
MJE13011-T3P-T	MJE13011L-T3P-T	TO-3P	Tube

■ ABSOLUTE MAXIMUM RATINGS ($T_C = 25$)

PARAMETER	SYMBOL	RATINGS	UNIT
Collector Base Voltage	V_{CBO}	450	V
Collector Emitter Voltage	V_{CEO}	400	V
	$V_{CEO(SUS)}$	400	V
Emitter Base Voltage	V_{EBO}	7	V
Collector Current	I_C	10	A
Base Current	I_B	3	A
Power Dissipation	P_D	80	W
Junction Temperature	T_J	+150	
Storage Temperature	T_{STG}	-40 ~ +150	

■ ELECTRICAL SPECIFICATIONS ($T_C = 25$, Unless Otherwise Specified.)

PARAMETER	SYMBOL	TEST CONDITIONS	MIN	TYP	MAX	UNIT
Collector Base Voltage	V_{CBO}	$I_{CBO} = 1mA$	450			V
Collector Emitter Voltage	V_{CEO}	$I_{CEO} = 10mA$	400			V
	$V_{CEO(SUS)}$	$I_C = 1A$	400			V
Emitter Base Voltage	V_{EBO}	$I_{EBO} = 0.1mA$	7			V
Collector-Emitter Saturation Voltage	$V_{CE(SAT)}$	$I_C = 4A, I_B = 0.8A$			1.2	V
Base Emitter Saturation Voltage	$V_{BE(SAT)}$				1.5	V
Collector Cut-off Current	I_{CBO}	$V_{CBO} = 450V$			1.0	mA
Emitter Cut-off Current	I_{EBO}	$V_{EBO} = 7V$			0.1	mA
DC Current Gain	h_{FE}	$I_C = 4A, V_{CE} = 5V$	10			
Switching Time	t_{ON}	$I_C = 7.5A, I_{B1} = -I_{B2} = 1.5A$ $R_L = 20\Omega, P_w = 20\mu s, \text{Duty} \leq 2\%$			1.0	μs
	t_{STG}				2.0	μs
	t_F				1.0	μs

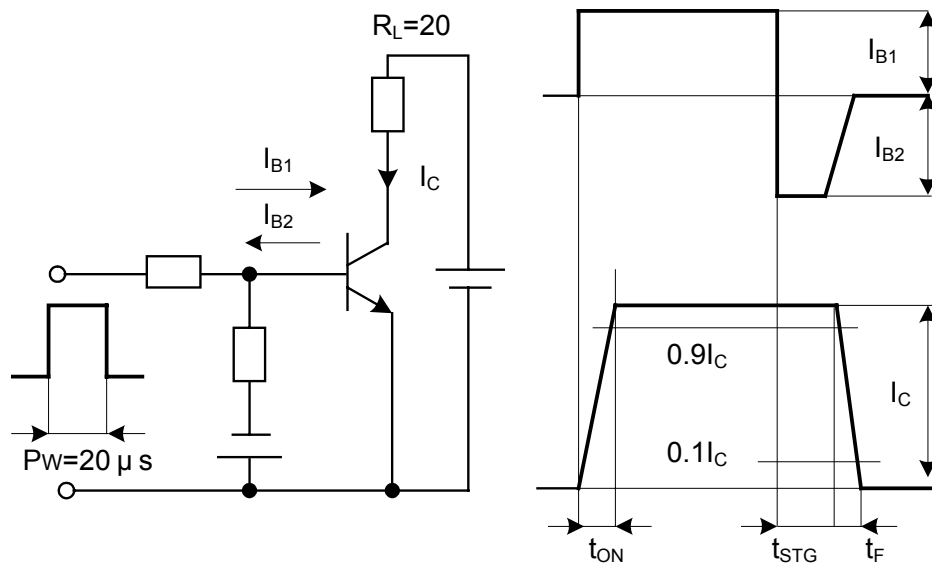
■ CLASSIFICATION of h_{FE}

RANK	A	B	C	D	E	F
RANGE	10 ~ 16	15 ~ 21	20 ~ 26	25 ~ 31	30 ~ 36	35 ~ 40

■ THERMAL DATA

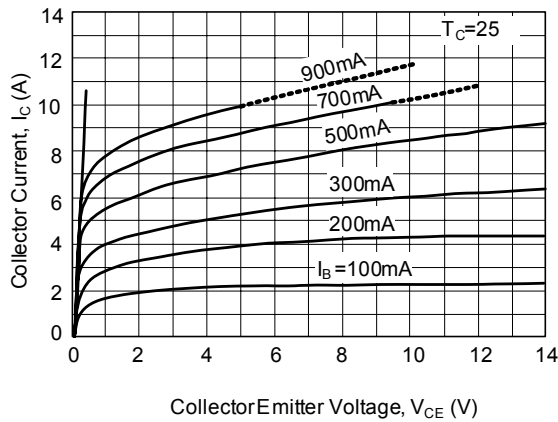
PARAMETER	SYMBOL	RATINGS	UNIT
Thermal Resistance Junction to Case	θ_{JC}	1.55	/W

■ SWITCHING TIME TEST CIRCUIT

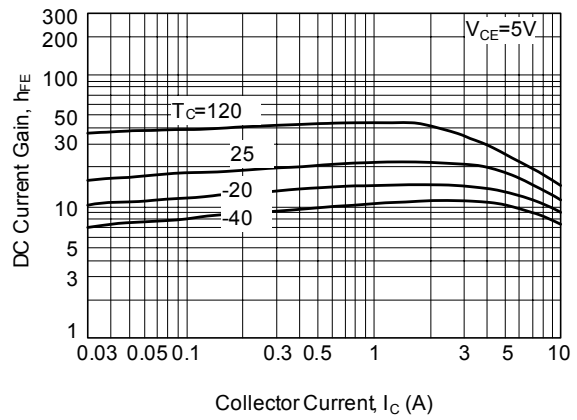


TYPICAL CHARACTERISTICS

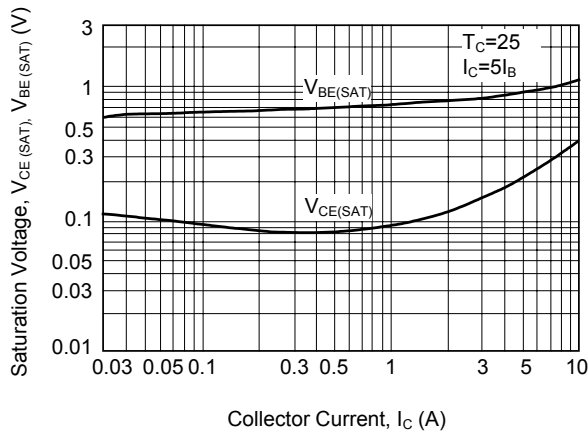
Collector Output Characteristics



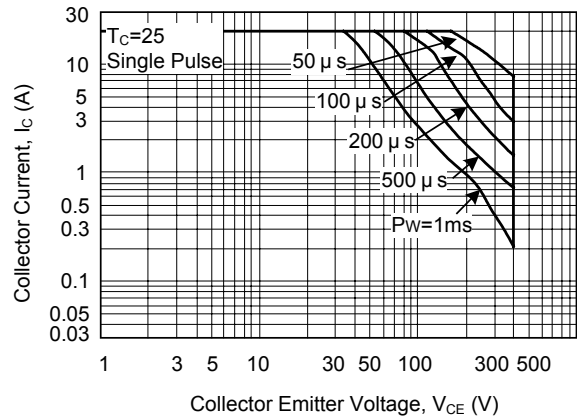
DC Current Gain



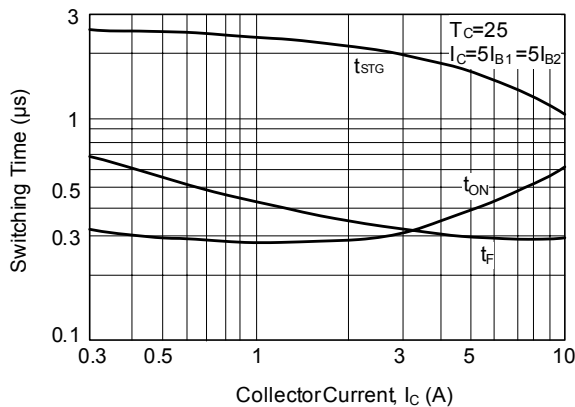
Base and Collector Saturation Voltage



Safe Operating Area



Switching Time



UTC assumes no responsibility for equipment failures that result from using products at values that exceed, even momentarily, rated values (such as maximum ratings, operating condition ranges, or other parameters) listed in products specifications of any and all UTC products described or contained herein. UTC products are not designed for use in life support appliances, devices or systems where malfunction of these products can be reasonably expected to result in personal injury. Reproduction in whole or in part is prohibited without the prior written consent of the copyright owner. The information presented in this document does not form part of any quotation or contract, is believed to be accurate and reliable and may be changed without notice.