



BD238

PNP EPITAXIAL SILICON TRANSISTOR

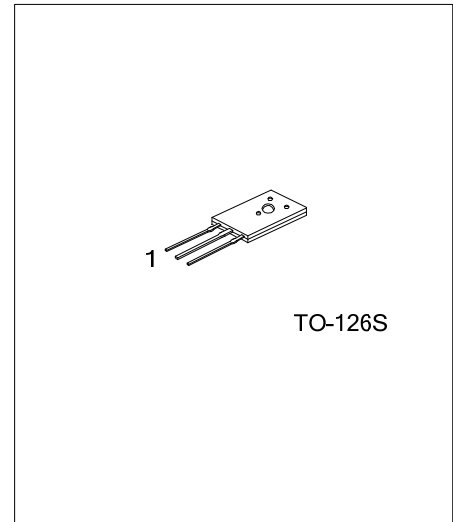
-80V, PNP TRANSISTOR

DESCRIPTION

The UTC **BD238** is a PNP epitaxial planar transistor, it uses UTC's advanced technology to provide the customers with high DC current gain and high collector-emitter breakdown voltage, etc.

FEATURES

- * High DC current gain
- * High collector-emitter breakdown voltage



ORDERING INFORMATION

Ordering Number		Package	Pin Assignment			Packing
Lead Free	Halogen Free		1	2	3	
BD238L-T6S-K	BD238G-T6S-K	TO-126S	E	C	B	Bulk

<p>BD238L-T6S-K</p> <ul style="list-style-type: none"> (1) Packing Type (2) Package Type (3) Lead Free 	<ul style="list-style-type: none"> (1) K: Bulk (2) T6S: TO-126S (3) L: Lead Free, G: Halogen Free
---	--

**BD238****PNP EPITAXIAL SILICON TRANSISTOR**

■ ABSOLUTE MAXIMUM RATINGS ($T_A=25^\circ\text{C}$, unless otherwise specified)

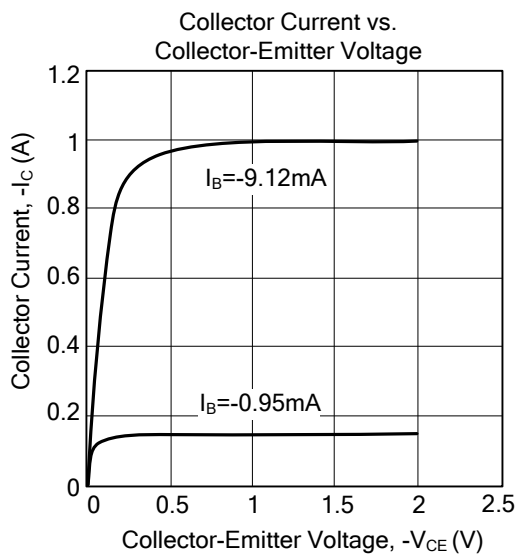
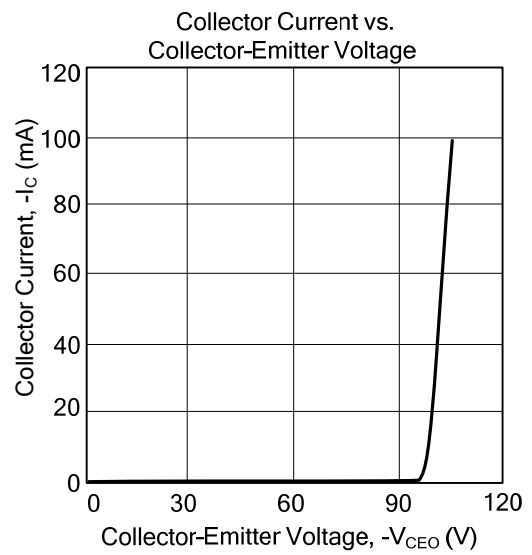
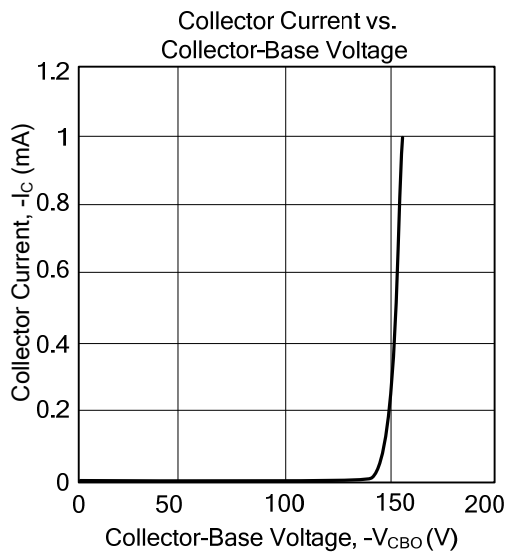
PARAMETER	SYMBOL	RATINGS	UNIT
Collector-Base Voltage	V_{CBO}	-100	V
Collector-Emitter Voltage	V_{CEO}	-80	V
Emitter-Base Voltage	V_{EBO}	-5	V
Collector Current	I_C	-2	A
Collector Power Dissipation	P_C	1.25	W
Junction Temperature	T_J	150	$^\circ\text{C}$
Storage Temperature	T_{STG}	-55~150	$^\circ\text{C}$

Note: Absolute maximum ratings are those values beyond which the device could be permanently damaged. Absolute maximum ratings are stress ratings only and functional device operation is not implied.

■ ELECTRICAL CHARACTERISTICS ($T_A=25^\circ\text{C}$, unless otherwise specified)

PARAMETER	SYMBOL	TEST CONDITIONS	MIN	TYP	MAX	UNIT
Collector-Base Breakdown Voltage	$V_{(BR)CBO}$	$I_C=-1\text{mA}, I_E=0$	-100			V
Collector-Emitter Breakdown Voltage	$V_{(BR)CEO}$	$I_C=-100\text{mA}, I_B=0$	-80			V
Emitter-Base Breakdown Voltage	$V_{(BR)EBO}$	$I_C=-1\text{mA}, I_E=0$	-5			V
Collector Cut-Off Current	I_{CBO}	$V_{CB}=-100\text{V}, I_E=0$			-100	μA
Emitter Cut-Off Current	I_{EBO}	$V_{EB}=-5\text{V}, I_C=0$			-1	mA
DC Current Gain	$h_{FE(1)}$	$V_{CE}=-2\text{V}, I_C=-150\text{mA}$	40			
	$h_{FE(2)}$	$V_{CE}=-2\text{V}, I_C=-1\text{A}$	25			
Collector-Emitter Saturation Voltage	$V_{CE(sat)}$	$I_C=-1\text{A}, I_B=-100\text{mA}$			-0.6	V
Transition Frequency	f_T	$V_{CE}=-10\text{V}, I_C=-250\text{mA}, f=10\text{MHz}$	3			MHz

■ TYPICAL CHARACTERISTICS



UTC assumes no responsibility for equipment failures that result from using products at values that exceed, even momentarily, rated values (such as maximum ratings, operating condition ranges, or other parameters) listed in products specifications of any and all UTC products described or contained herein. UTC products are not designed for use in life support appliances, devices or systems where malfunction of these products can be reasonably expected to result in personal injury. Reproduction in whole or in part is prohibited without the prior written consent of the copyright owner. The information presented in this document does not form part of any quotation or contract, is believed to be accurate and reliable and may be changed without notice.