



# 1.0Amp. Surface Mount Schottky Barrier Diodes SK12SA thru SK1BSA

## Features

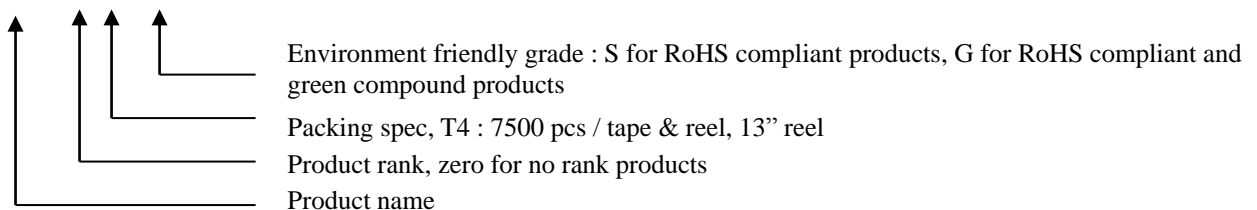
- For surface mounted applications.
- For use in low voltage, high frequency inverters, free wheeling, and polarity protection applications.
- Plastic material used carries Underwriters Laboratory Flammability Classification 94V-0.
- Low leakage current.
- High surge capability.
- High temperature soldering: 250°C/10 seconds at terminals.
- Exceeds environmental standards of MIL-S-19500/228.

## Mechanical Data

- Case: Molded plastic, JEDEC DO-214AC/SMA.
- Terminals: Solder plated, solderable per MIL-STD-750 method 2026.
- Polarity: Indicated by cathode band.
- Mounting position: Any.
- Weight: 0.064 gram, 0.002 ounce.

## Ordering Information

Device	Package	Shipping	Marking
SK12SA-0-T4-G	SMA (Pb-free lead plating and halogen-free package)	7500 pcs / Tape & Reel	SK12
SK13SA-0-T4-G			SK13
SK14SA-0-T4-G			SK14
SK15SA-0-T4-G			SK15
SK16SA-0-T4-G			SK16
SK18SA-0-T4-G			SK18
SK1BSA-0-T4-G			SK1B

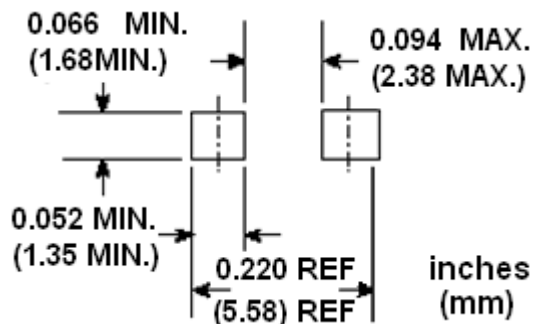


## Maximum Ratings and Electrical Characteristics

(Rating at 25°C ambient temperature unless otherwise specified. Single phase, half wave, 60Hz, resistive or inductive load.  
 For capacitive load, derate current by 20%.)

Parameter	Symbol	Type							Units
		SK12	SK13	SK14	SK15	SK16	SK18	SK1B	
Repetitive peak reverse voltage	V <sub>RRM</sub>	20	30	40	50	60	80	100	V
Maximum RMS voltage	V <sub>RMS</sub>	14	21	28	35	42	56	70	V
Maximum DC blocking voltage	V <sub>R</sub>	20	30	40	50	60	80	100	V
Maximum instantaneous forward Voltage @ I <sub>F</sub> =1A (Note 1)	V <sub>F</sub>	0.5		0.7		0.85		V	
Maximum average forward rectified current @ T <sub>L</sub> =100°C	I <sub>O</sub>	1							A
Peak forward surge current @ 8.3ms, single half sine-wave superimposed on rated load (JEDEC method)	I <sub>FSM</sub>	30							A
Maximum DC reverse current at Rated DC blocking voltage T <sub>J</sub> =25°C T <sub>J</sub> =100°C	I <sub>R</sub>	0.5 10							mA
Typical thermal resistance, junction to lead	R <sub>th, JA</sub>	85							°C/W
Typical thermal resistance, junction to case	R <sub>th, JC</sub>	18							°C/W
Power Dissipation	T <sub>A</sub> =25°C	1.5							W
	T <sub>C</sub> =25°C	7							
Typical diode junction capacitance @ f=1MHz and applied 4V reverse voltage	C <sub>J</sub>	120							pF
Storage temperature	T <sub>stg</sub>	-55 ~ +150							°C
Operating temperature	T <sub>J</sub>	-55 ~ +125							°C

## Recommended soldering footprint



**Characteristic Curves**

FIG.1 - FORWARD CURRENT DERATING CURVE

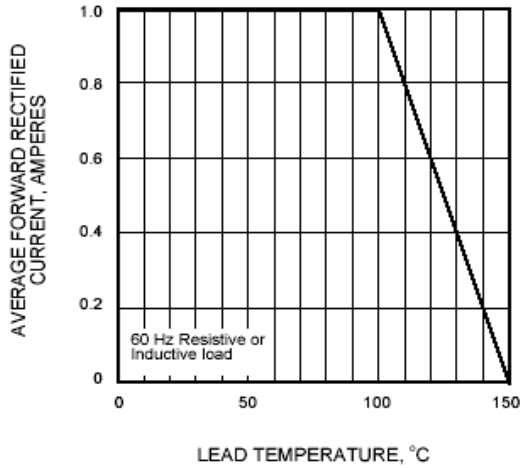


FIG.2 - MAXIMUM NON-REPETITIVE PEAK FORWARD SURGE CURRENT

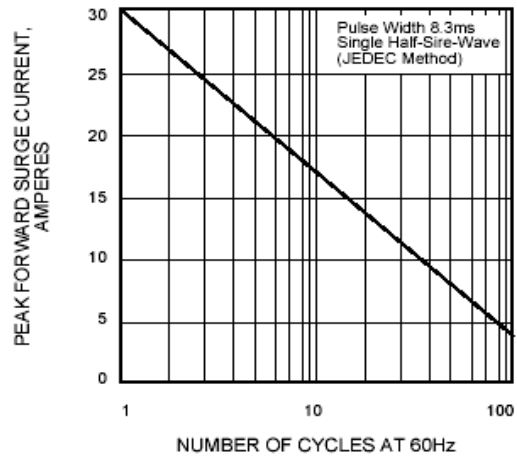


FIG.3 - TYPICAL INSTANTANEOUS FORWARD CHARACTERISTICS

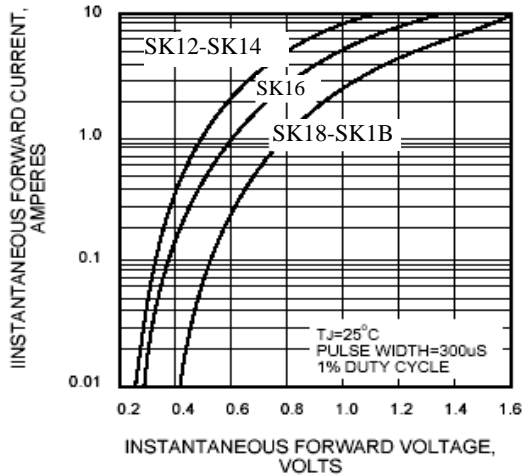


FIG.4 - TYPICAL REVERSE CHARACTERISTICS

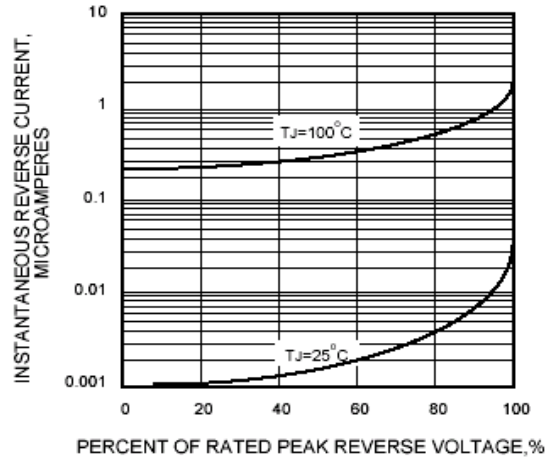
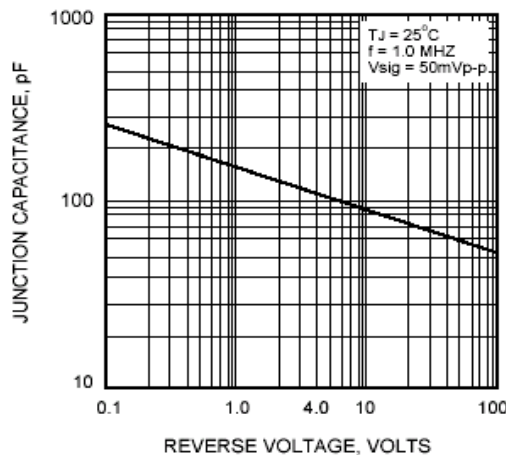
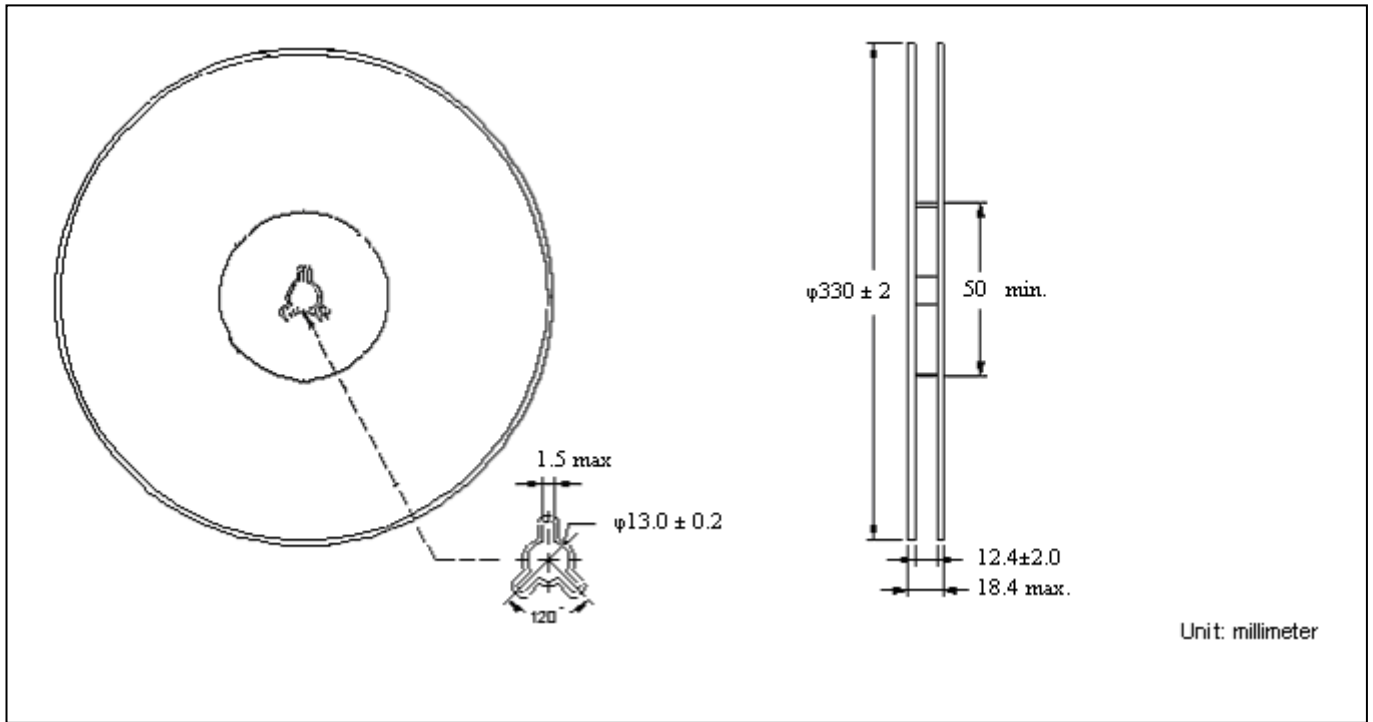


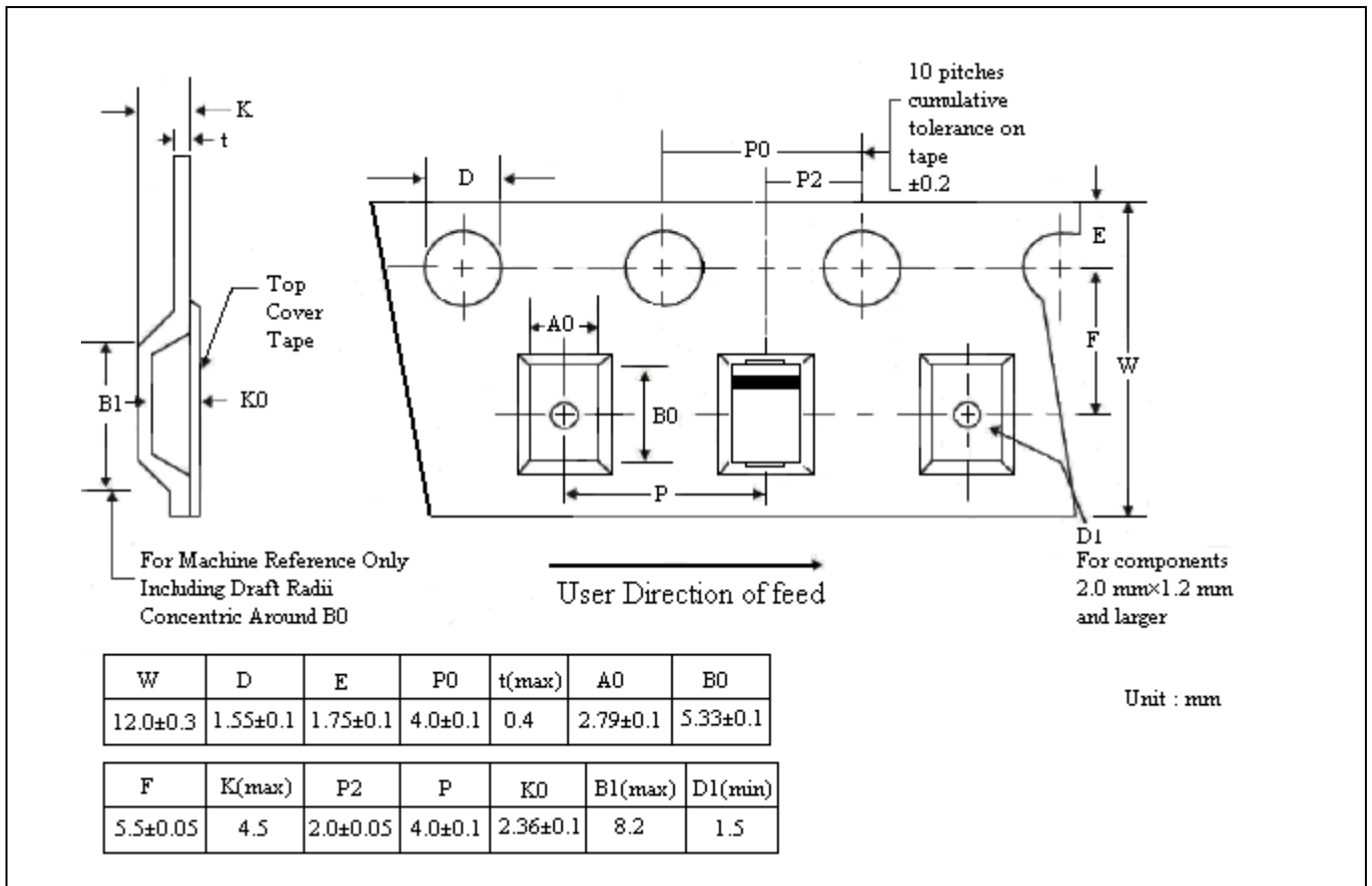
FIG.5 - TYPICAL JUNCTION CAPACITANCE



## Reel Dimension

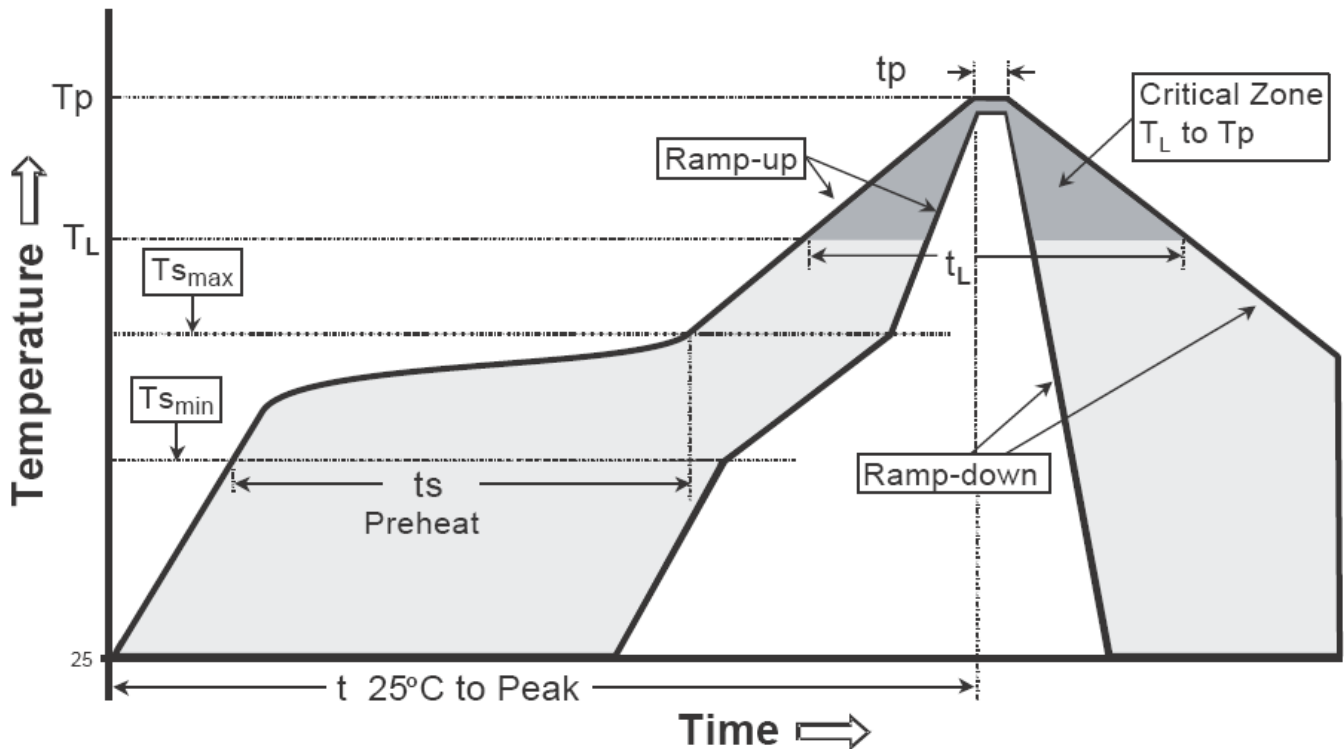


## Carrier Tape Dimension



**Recommended wave soldering condition**

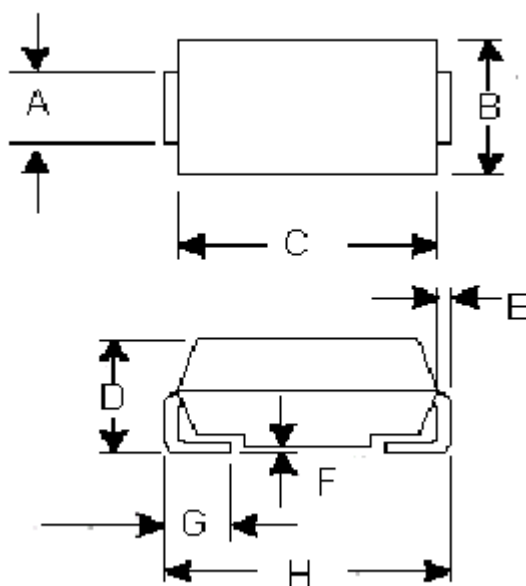
Product	Peak Temperature	Soldering Time
Pb-free devices	260 +0/-5 °C	5 +1/-1 seconds

**Recommended temperature profile for IR reflow**


Profile feature	Sn-Pb eutectic Assembly	Pb-free Assembly
Average ramp-up rate (T <sub>smax</sub> to T <sub>p</sub> )	3°C/second max.	3°C/second max.
Preheat		
-Temperature Min(T <sub>s min</sub> )	100°C	150°C
-Temperature Max(T <sub>s max</sub> )	150°C	200°C
-Time(t <sub>s min</sub> to t <sub>s max</sub> )	60-120 seconds	60-180 seconds
Time maintained above:		
-Temperature (T <sub>L</sub> )	183°C	217°C
- Time (t <sub>L</sub> )	60-150 seconds	60-150 seconds
Peak Temperature(T <sub>P</sub> )	240 +0/-5 °C	260 +0/-5 °C
Time within 5°C of actual peak temperature(tp)	10-30 seconds	20-40 seconds
Ramp down rate	6°C/second max.	6°C/second max.
Time 25 °C to peak temperature	6 minutes max.	8 minutes max.

Note : All temperatures refer to topside of the package, measured on the package body surface.

**SMA/DO-214AC Dimension**



Marking :

SK12SA	SK13SA	SK14SA	SK15SA
SK12	SK13	SK14	SK15

SK16SA	SK18SA	SK1BSA
SK16	SK18	SK1B

SMA/DO-214AC Plastic  
 Surface Mounted Package  
 CYStek Package Code : SA

\*:Typical

DIM	Inches		Millimeters		DIM	Inches		Millimeters	
	Min.	Max.	Min.	Max.		Min.	Max.	Min.	Max.
A	0.052	0.062	1.32	1.60	E	0.006	0.012	0.15	0.31
B	0.098	0.114	2.50	2.90	F	0.002	0.008	0.05	0.20
C	0.154	0.181	3.90	4.60	G	0.030	0.060	0.76	1.52
D	0.067	0.091	1.70	2.30	H	0.188	0.208	4.80	5.28

Notes : 1.Controlling dimension : millimeters.  
 2.Maximum lead thickness includes lead finish thickness, and minimum lead thickness is the minimum thickness of base material.  
 3.If there is any question with packing specification or packing method, please contact your local CYStek sales office.

**Material :**

- Lead : Pure tin plated.
- Mold Compound : Epoxy resin family, flammability solid burning class:UL94V-0.

**Important Notice:**

- All rights are reserved. Reproduction in whole or in part is prohibited without the prior written approval of CYStek.
- CYStek reserves the right to make changes to its products without notice.
- CYStek **semiconductor products are not warranted to be suitable for use in Life-Support Applications, or systems.**
- CYStek assumes no liability for any consequence of customer product design, infringement of patents, or application assistance.