

Small Signal Schottky (double) diodes

BAT54N3/BAT54AN3

BAT54CN3/BAT54SN3

Description

Planar silicon Schottky barrier diodes encapsulated in a SOT-23 small plastic SMD package. Single diodes and double diodes with different pinning are available.

Features

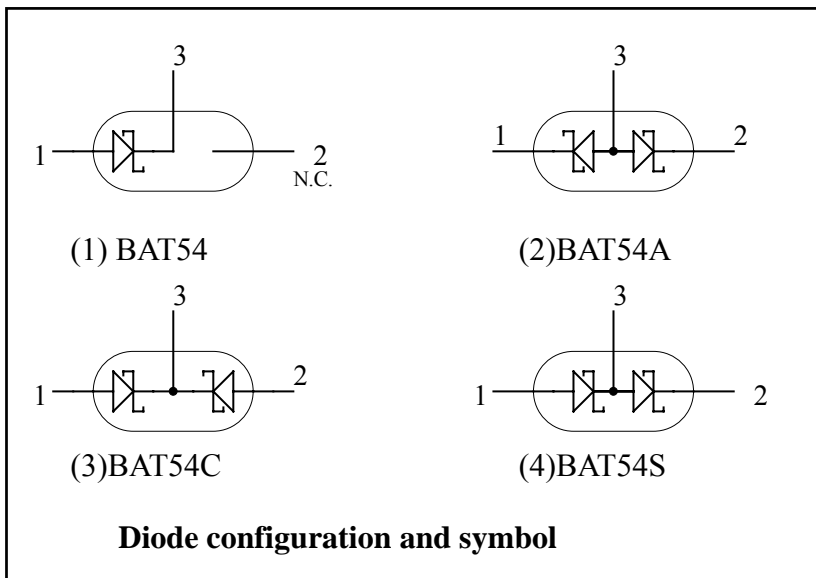
- Very small conduction losses
- Low forward voltage drop
- Small plastic SMD package
- Pb-free lead-free and halogen-free package

Applications

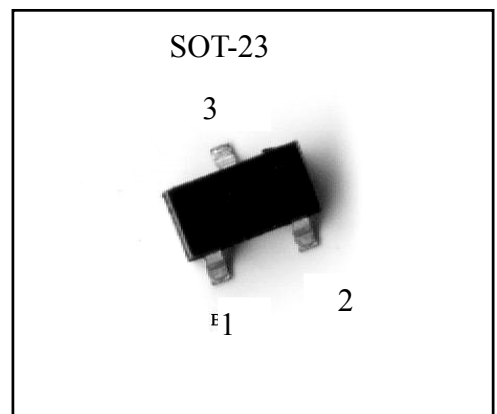
- Ultra high-speed switching
- Voltage clamping
- Protection circuits
- Blocking diodes

Pinning

Pin	Description			
	BAT54	BAT54A	BAT54C	BAT54S
1	A	K1	A1	A1
2	NC	K2	A2	K2
3	K	A1,A2	K1,K2	K1,A1



Outline



Marking:

Type	Marking Code
BAT54 N3	JV3
BAT54AN3	B6
BAT54CN3	5C
BAT54SN3	LD3



Absolute Maximum Ratings

- Maximum Temperatures
 - Storage Temperature T_{stg} -65 ~ +150 °C
 - Operating Junction Temperature T_j -65 ~ +150°C
- Maximum Power Dissipation
 - Total Power Dissipation ($T_a=25^\circ C$) P_{tot} (Note) 230 mW
- Maximum Voltages and Currents ($T_a=25^\circ C$)
 - Repetitive Peak Reverse Voltage V_{RRM} 30 V
 - Continuous Forward Current I_F 200 mA
 - Repetitive Peak Forward Current($t_p \le 1s, duty\ cycle \le 0.5$)..... 300mA
 - Non-repetitive Peak Forward Current ($t_p < 10ms, sinusoidal$) I_{FSM} 600 mA

Note : For double diodes, P_{tot} is the total power dissipation of both diodes.

Thermal Performance

Parameter	Symbol	Limit	Unit
Thermal Resistance, Junction-to-Ambient, max	$R_{\theta JA}$	435	°C/W
Thermal Resistance, Junction-to-Case, max	$R_{\theta JC}$	270	

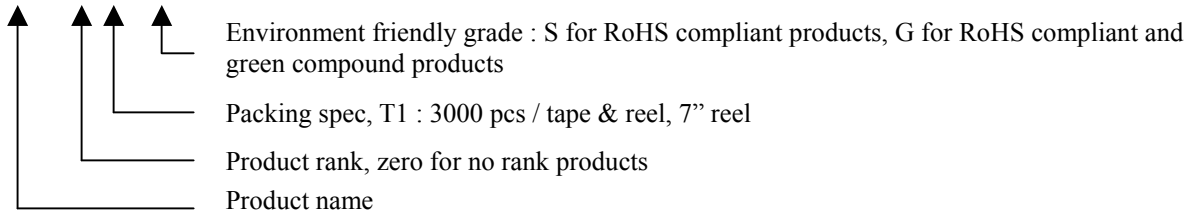
Characteristics ($T_a=25^\circ C$)

Characteristic	Symbol	Condition	Min.	Max.	Unit
Reverse Breakdown Voltage	V_{BR}	$I_R=100\mu A$	30	-	V
Forward Voltage (Note 1)	$V_F(1)$	$I_F=0.1mA$	-	240	mV
	$V_F(2)$	$I_F=1mA$	-	320	mV
	$V_F(3)$	$I_F=10mA$	-	400	mV
	$V_F(4)$	$I_F=30mA$	-	500	mV
	$V_F(5)$	$I_F=100mA$	-	800	mV
Reverse Leakage Current (Note 2)	I_R	$V_R=25V, T_j=25^\circ C$	-	2	μA
Diode Capacitance	C_D	$V_R=1V, f=1MHz$	-	10	pF
Reverse Recovery Time	t_{rr}	$I_F=I_R=10mA, R_L=100\Omega$ measured at $I_R=1mA$	-	5	ns

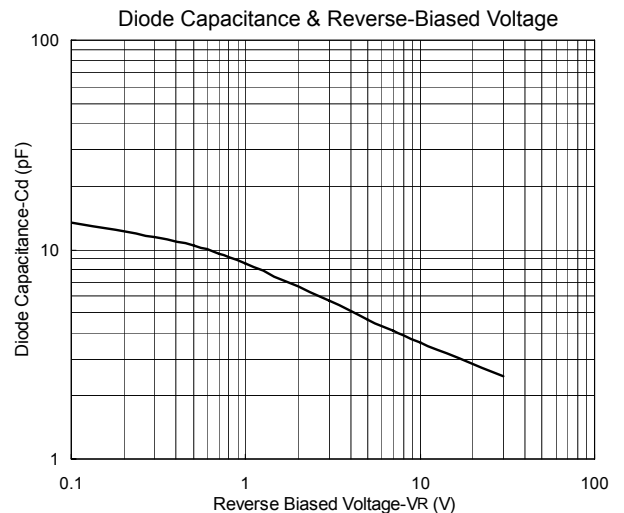
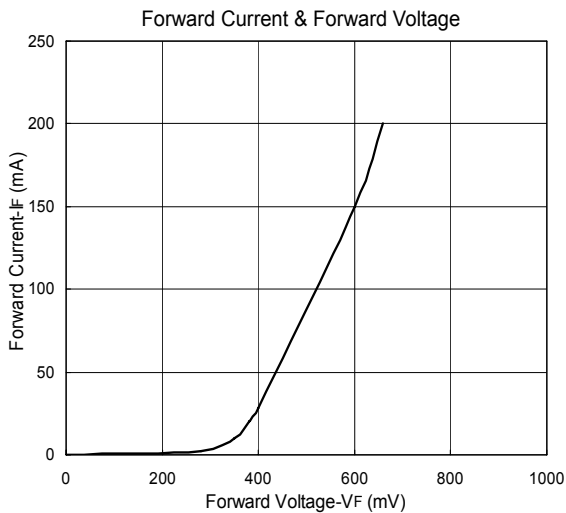
Notes: 1.pulse test, $t_p=380\mu s, duty\ cycle < 2\%$.
 2.pulse test, $t_p=5ms, duty\ cycle < 2\%$.

Ordering Information

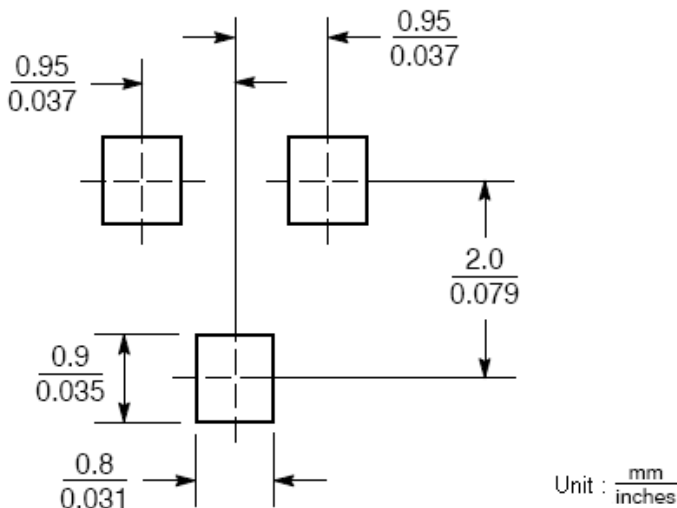
Device	Package	Shipping	Marking
BAT54N3-0-T1-G	SOT-23 (Pb-free lead plating and halogen-free package)	3000 pcs / Tape & Reel	JV3
BAT54AN3-0-T1-G			B6
BAT54CN3-0-T1-G			5C
BAT54SN3-0-T1-G			LD3



Typical Characteristics



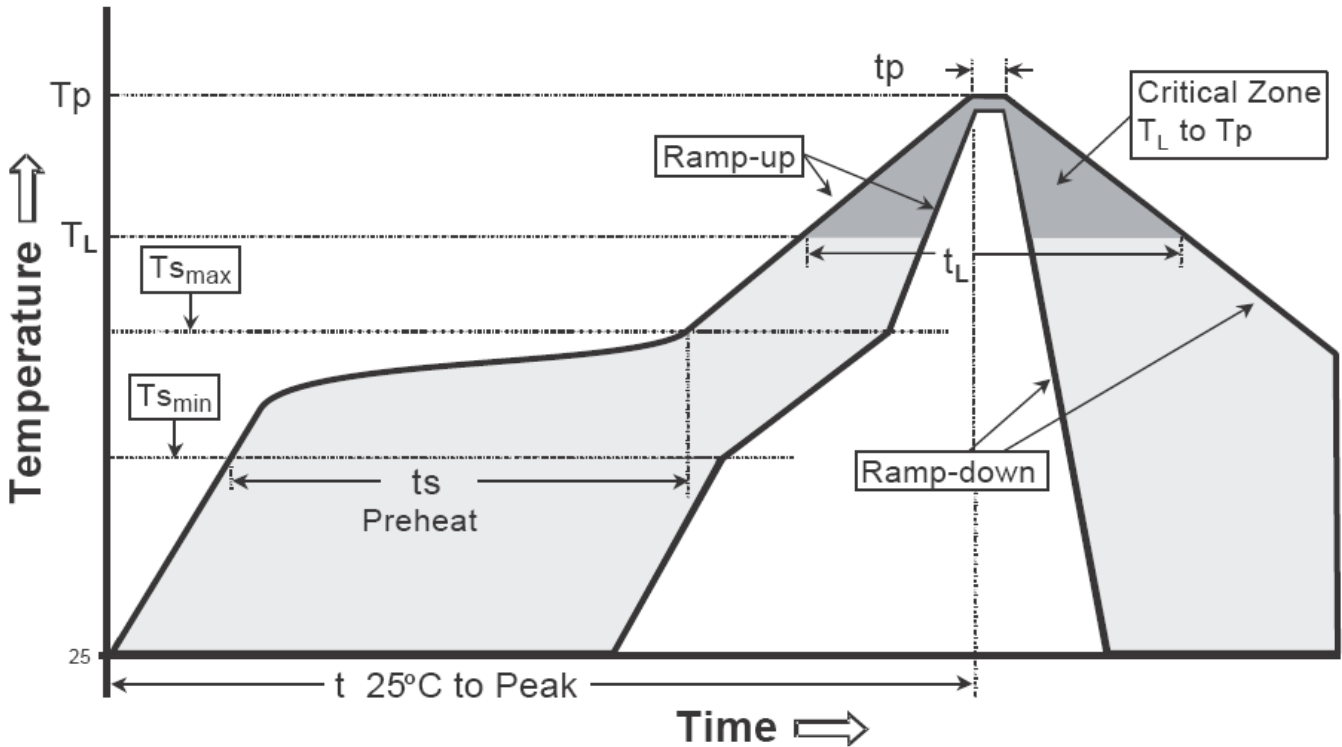
Recommended Soldering Footprint



Recommended wave soldering condition

Product	Peak Temperature	Soldering Time
Pb-free devices	260 +0/-5 °C	5 +1/-1 seconds

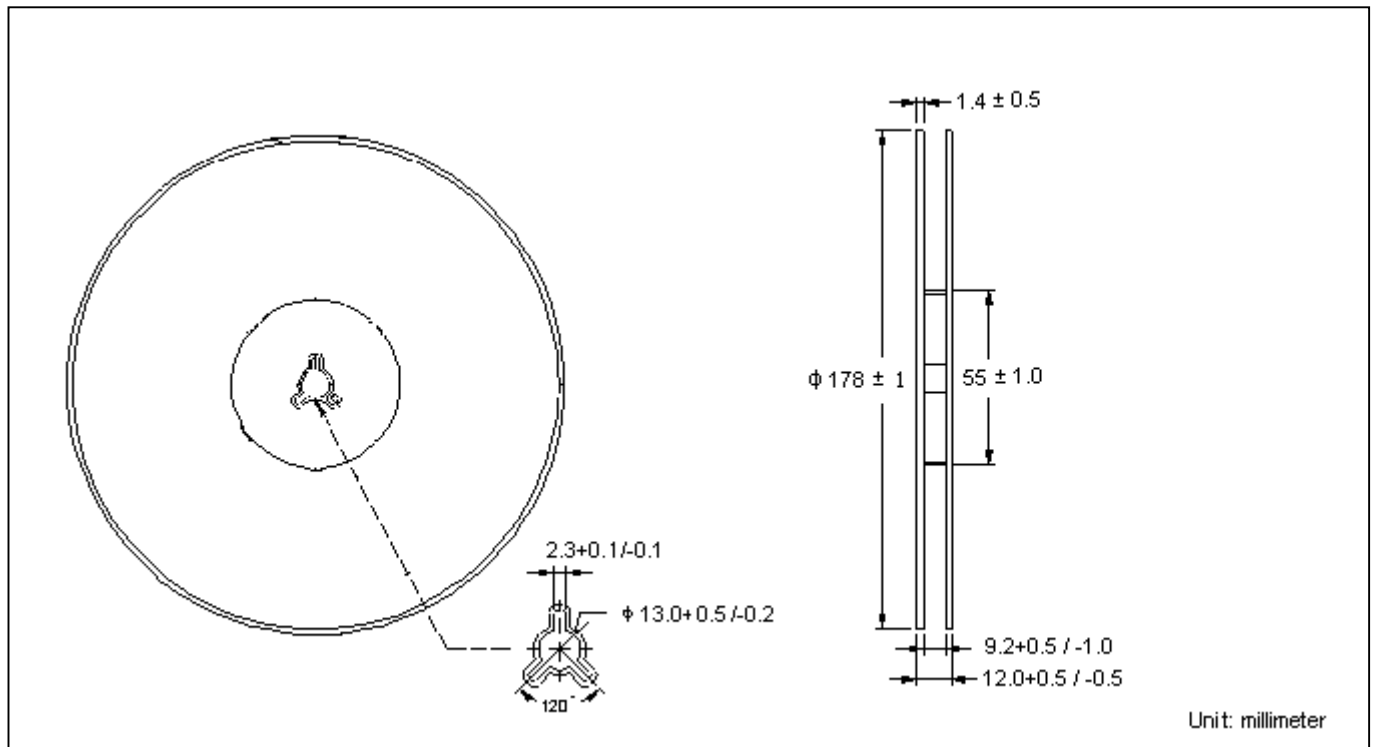
Recommended temperature profile for IR reflow



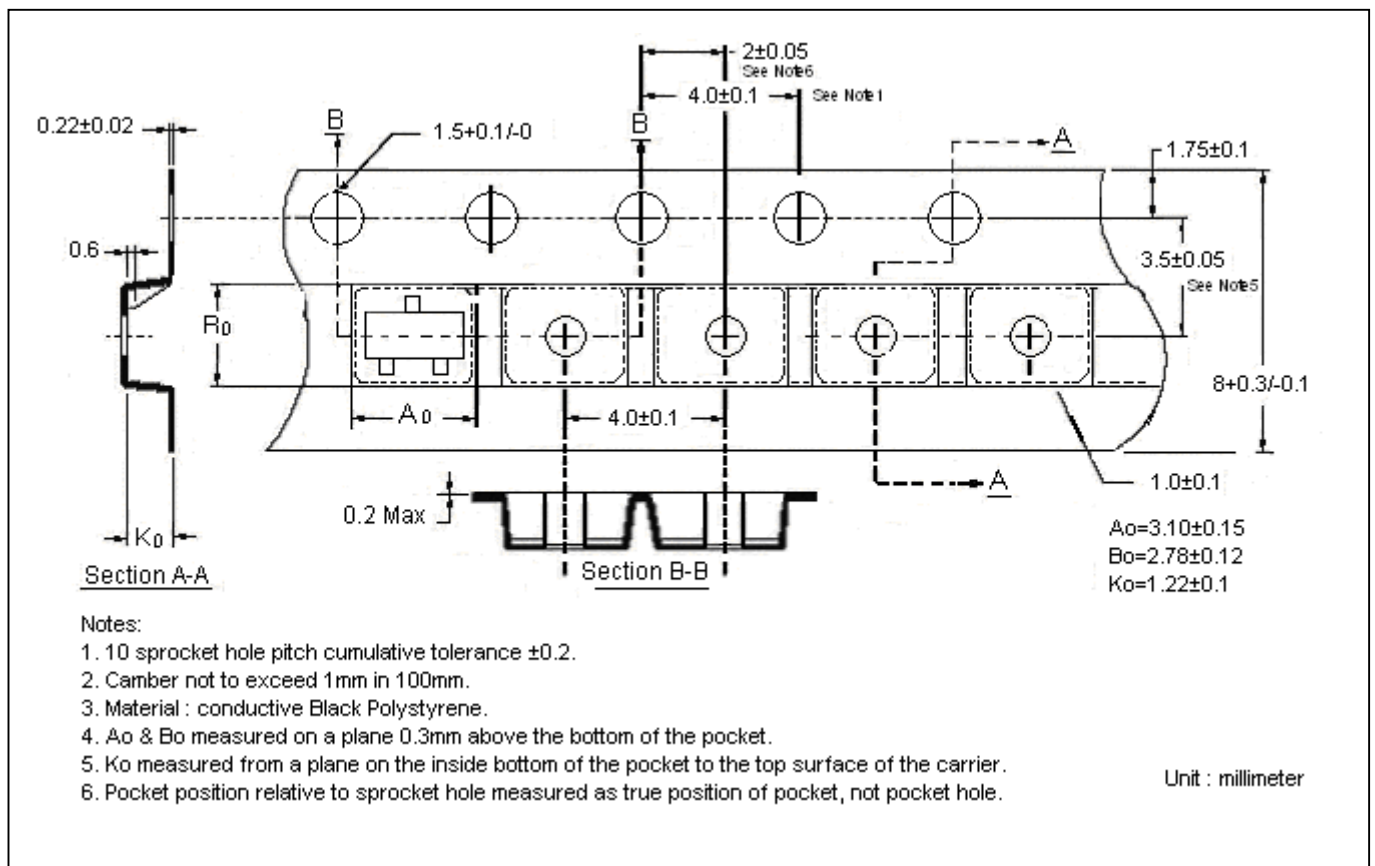
Profile feature	Sn-Pb eutectic Assembly	Pb-free Assembly
Average ramp-up rate (Tsmax to Tp)	3°C/second max.	3°C/second max.
Preheat		
-Temperature Min(Ts min)	100°C	150°C
-Temperature Max(Ts max)	150°C	200°C
-Time(ts min to ts max)	60-120 seconds	60-180 seconds
Time maintained above:		
-Temperature (TL)	183°C	217°C
- Time (tL)	60-150 seconds	60-150 seconds
Peak Temperature(TP)	240 +0/-5 °C	260 +0/-5 °C
Time within 5°C of actual peak temperature(tp)	10-30 seconds	20-40 seconds
Ramp down rate	6°C/second max.	6°C/second max.
Time 25 °C to peak temperature	6 minutes max.	8 minutes max.

Note : All temperatures refer to topside of the package, measured on the package body surface.

Reel Dimension



Carrier Tape Dimension



SOT-23 Dimension

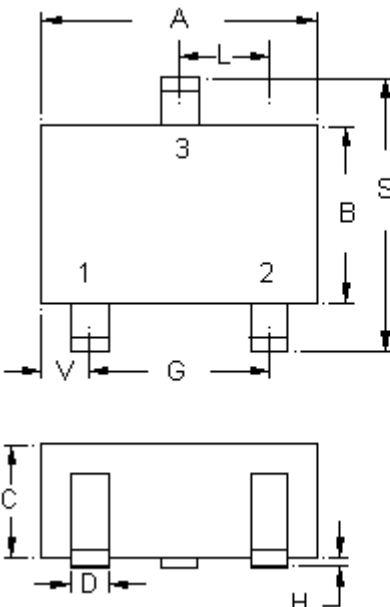
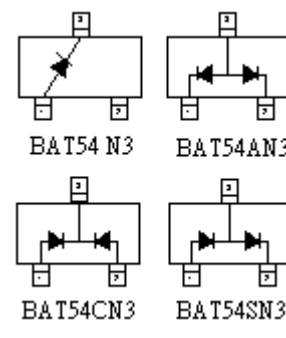
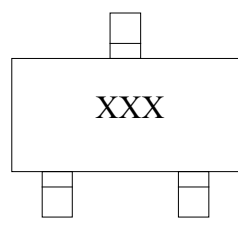


Diagram:



Marking:



3-Lead SOT-23 Plastic Surface Mounted Package. CYStek Package Code: N3

- BAT54 N3: Single Diode (Marking Code JV3)
- BAT54AN3: Common Anode. (Marking Code B6)
- BAT54CN3: Common Cathode. (Marking Code 5C)
- BAT54SN3: Series Connected. (Marking Code LD3)

*: Typical

DIM	Inches		Millimeters		DIM	Inches		Millimeters	
	Min.	Max.	Min.	Max.		Min.	Max.	Min.	Max.
A	0.1102	0.1204	2.80	3.04	J	0.0032	0.0079	0.08	0.20
B	0.0472	0.0669	1.20	1.70	K	0.0118	0.0266	0.30	0.67
C	0.0335	0.0512	0.89	1.30	L	0.0335	0.0453	0.85	1.15
D	0.0118	0.0197	0.30	0.50	S	0.0830	0.1161	2.10	2.95
G	0.0669	0.0910	1.70	2.30	V	0.0098	0.0256	0.25	0.65
H	0.0000	0.0040	0.00	0.10	L1	0.0118	0.0197	0.30	0.50

- Notes: 1. Controlling dimension: millimeters.
 2. Maximum lead thickness includes lead finish thickness, and minimum lead thickness is the minimum thickness of base material.
 3. If there is any question with packing specification or packing method, please contact your local CYStek sales office.

Material:

- Lead: Pure tin plated.
- Mold Compound: Epoxy resin family, flammability solid burning class: UL94V-0.

Important Notice:

- All rights are reserved. Reproduction in whole or in part is prohibited without the prior written approval of CYStek.
- CYStek reserves the right to make changes to its products without notice.
- CYStek **semiconductor products are not warranted to be suitable for use in Life-Support Applications, or systems.**
- CYStek assumes no liability for any consequence of customer product design, infringement of patents, or application assistance.