

Small Signal Schottky (double) diodes

BAT54S3/BAT54AS3

BAT54CS3/BAT54SS3

Description

Planar silicon Schottky barrier diodes encapsulated in a SOT-323 very small plastic SMD package. Single diodes and double diodes with different pinning are available.

Features

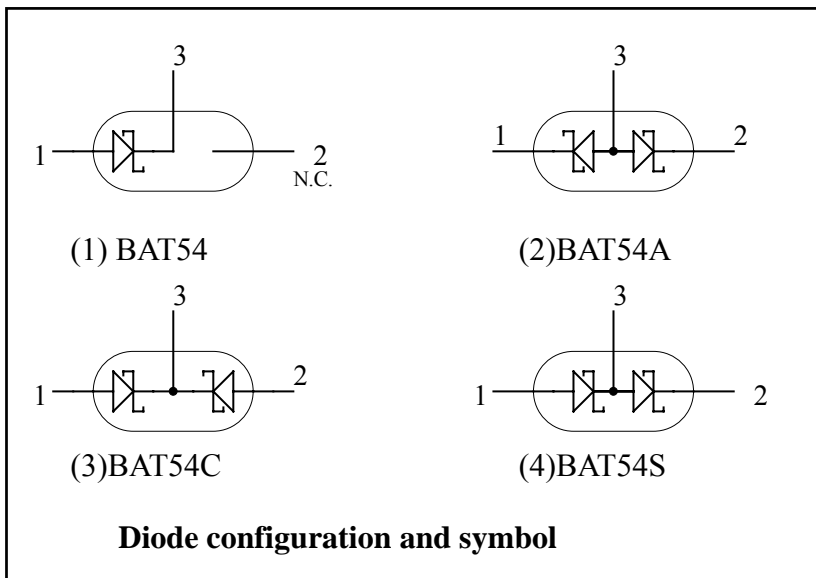
- Guard ring protected
- Low forward voltage drop
- Very small plastic SMD package
- Pb-free lead plating and halogen-free package

Applications

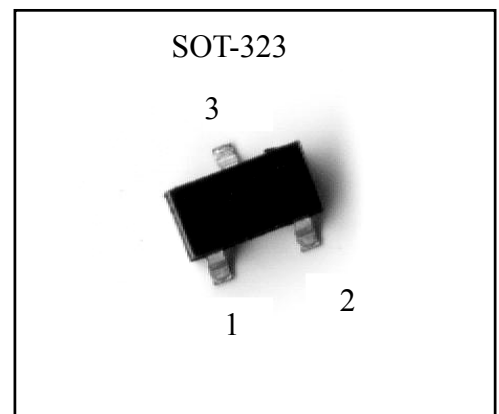
- Ultra high-speed switching
- Voltage clamping
- Protection circuits
- Blocking diodes

Pinning

| Pin | Description | | | |
|-----|-------------|--------|--------|--------|
| | BAT54 | BAT54A | BAT54C | BAT54S |
| 1 | A | K1 | A1 | A1 |
| 2 | NC | K2 | A2 | K2 |
| 3 | K | A1,A2 | K1,K2 | K1,A1 |



Outline



Marking:

| Type | Marking Code |
|----------|--------------|
| BAT54 S3 | B4 |
| BAT54AS3 | B7 |
| BAT54CS3 | 5C |
| BAT54SS3 | B8 |

**Absolute Maximum Ratings**

| Symbol | Parameter | Conditions | Min | Max | Unit |
|------------------|---------------------------------------|------------------------|-----|------|------|
| Per diode | | | | | |
| V _R | continuous reverse voltage | | - | 30 | V |
| I _F | continuous forward current | | - | 200 | mA |
| I _{FRM} | repetitive peak forward current | tp≤1s, δ≤0.5 | - | 300 | mA |
| I _{FSM} | non-repetitive peak forward current | tp<10ms | - | 600 | mA |
| P _{tot} | total power dissipation (per package) | T _{amb} ≤25°C | - | 200 | mW |
| T _{stg} | storage temperature | | -65 | +150 | °C |
| T _j | operating junction temperature | | -65 | +150 | °C |
| T _{amb} | operating ambient temperature | | -65 | +125 | °C |

Characteristics (T_a=25°C, unless otherwise specified)

| Parameter | Symbol | Condition | Min. | Max. | Unit |
|----------------------------------|--------------------|---|------|------|------|
| Reverse Breakdown Voltage | V _{BR} | I _R =100μA | 30 | - | V |
| Forward Voltage (Note 1) | V _F (1) | I _F =0.1mA | - | 240 | mV |
| | V _F (2) | I _F =1mA | - | 320 | mV |
| | V _F (3) | I _F =10mA | - | 400 | mV |
| | V _F (4) | I _F =30mA | - | 500 | mV |
| | V _F (5) | I _F =100mA | - | 800 | mV |
| Reverse Leakage Current (Note 2) | I _R | V _R =25V | - | 2 | μA |
| Diode Capacitance | C _D | V _R =1V, f=1MHz | - | 10 | pF |
| Reverse Recovery Time | t _{rr} | when switched from I _F = 10mA to I _R =10mA; R _L =100Ω; measured at I _R =1mA | - | 5 | ns |

Notes: 1.pulse test, tp=380μs, duty cycle<2%.

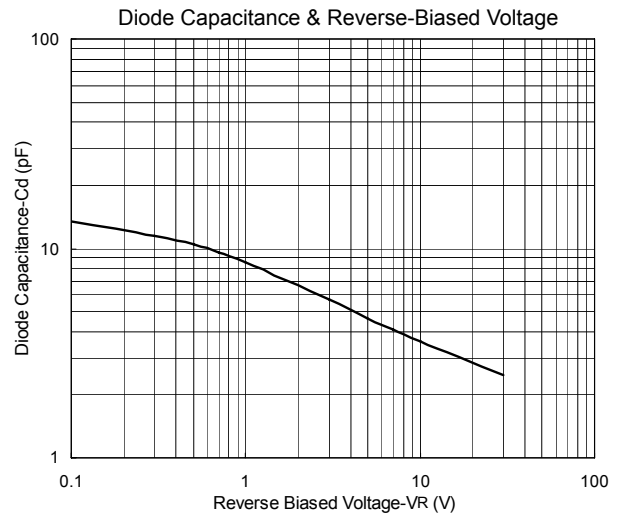
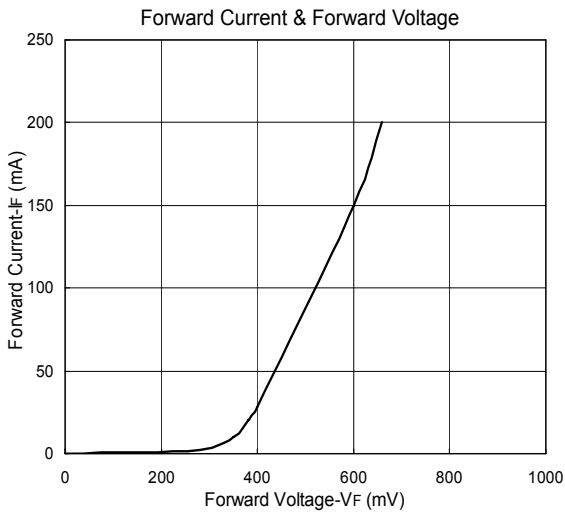
2.pulse test, tp=300μs, duty cycle<2%.

Thermal Characteristics

| Symbol | Parameter | Conditions | Value | Unit |
|---------------------|---|------------|-------|------|
| R _{th j-a} | thermal resistance from junction to ambient | note 1 | 625 | K/W |

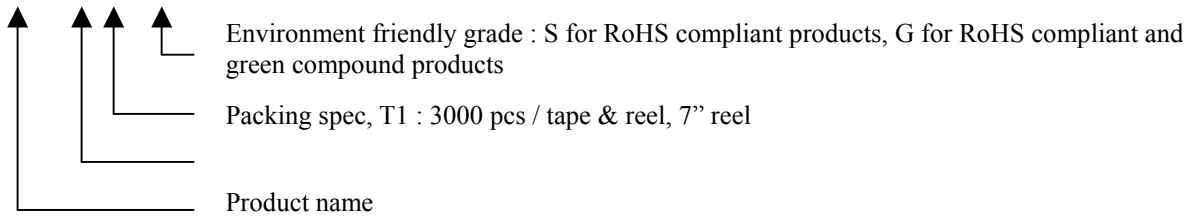
Note 1 : Refer to SOT-323 standard mounting conditions.

Typical Characteristics

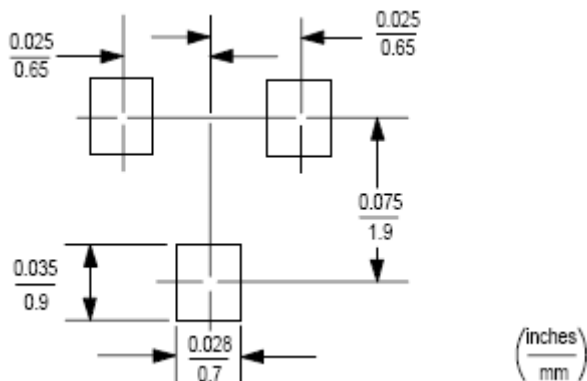


Ordering Information

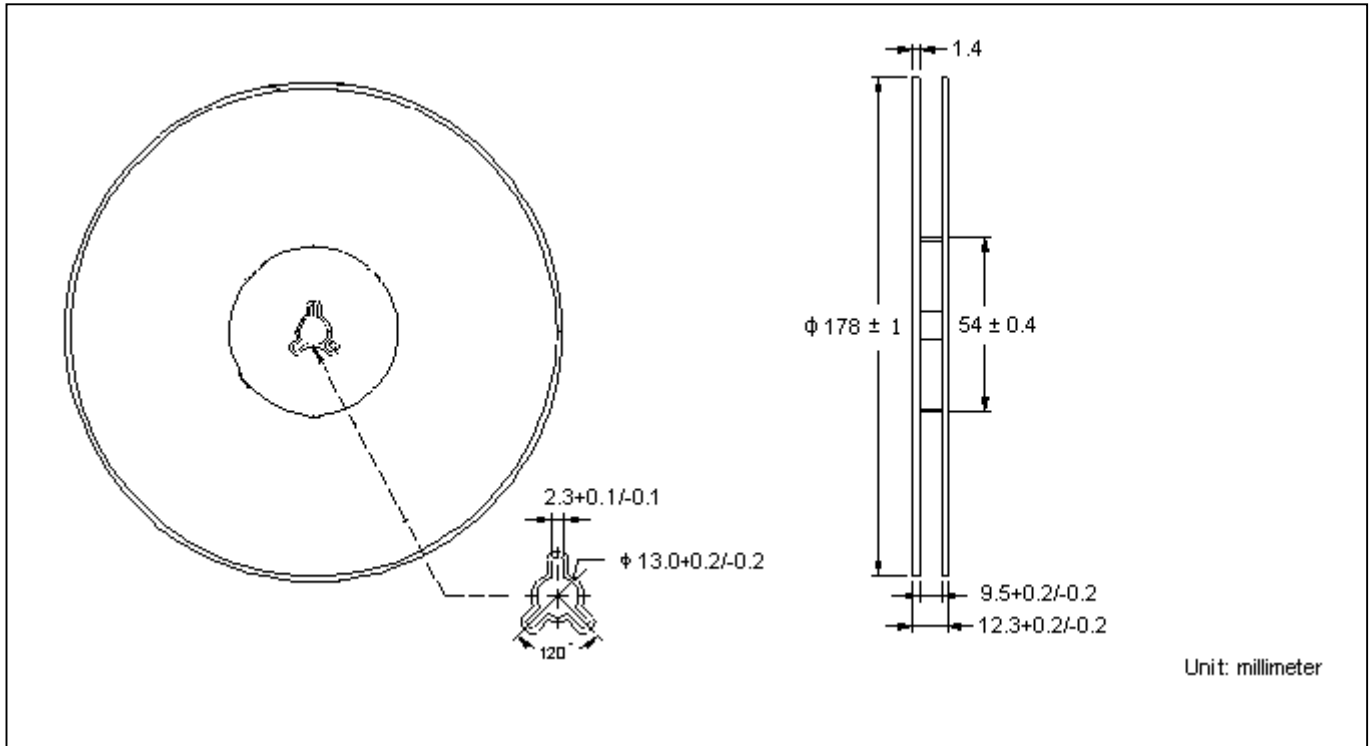
| Device | Package | Shipping | Marking |
|------------------|--|------------------------|---------|
| BAT54S3-0-T1-G | SOT-323 (Pb-free lead plating and halogen-free package) | 3000 pcs / Tape & Reel | B4 |
| BAT54AS3-0-T1-G | | | B7 |
| BAT54CS3-0-T1-G | | | 5C |
| BAT540SS3-0-T1-G | | | B8 |



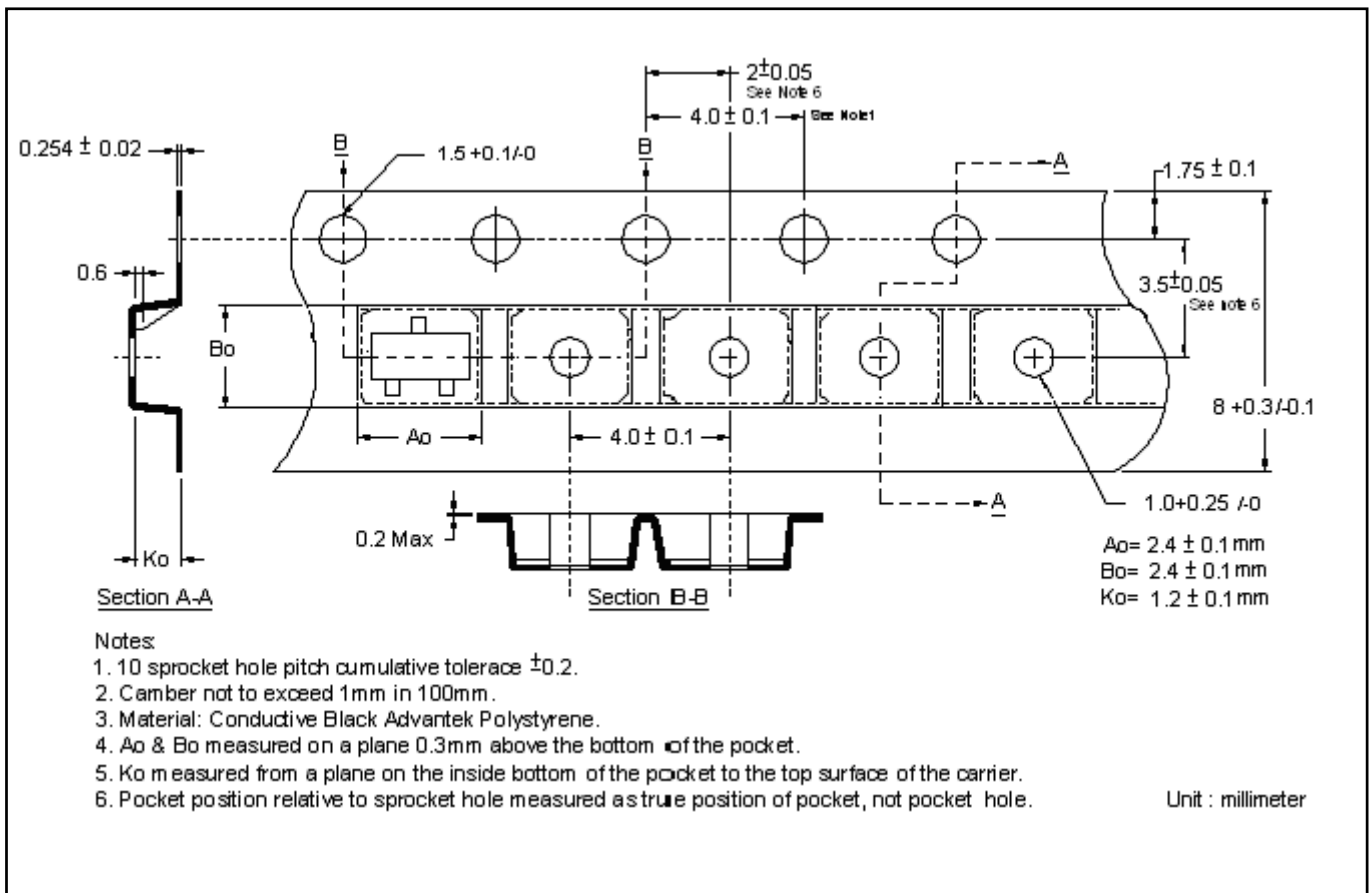
Recommended Footprint



Reel Dimension



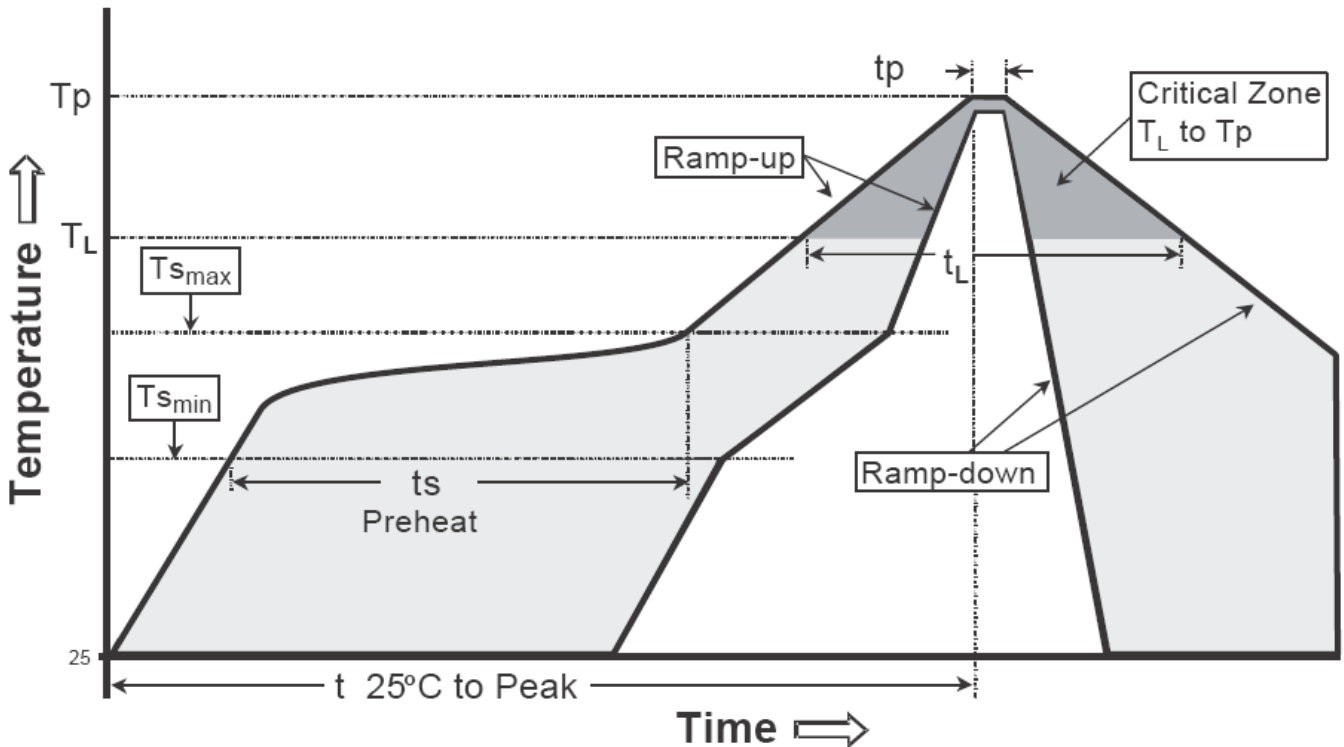
Carrier Tape Dimension



Recommended wave soldering condition

| | | |
|-----------------|------------------|-----------------|
| Product | Peak Temperature | Soldering Time |
| Pb-free devices | 260 +0/-5 °C | 5 +1/-1 seconds |

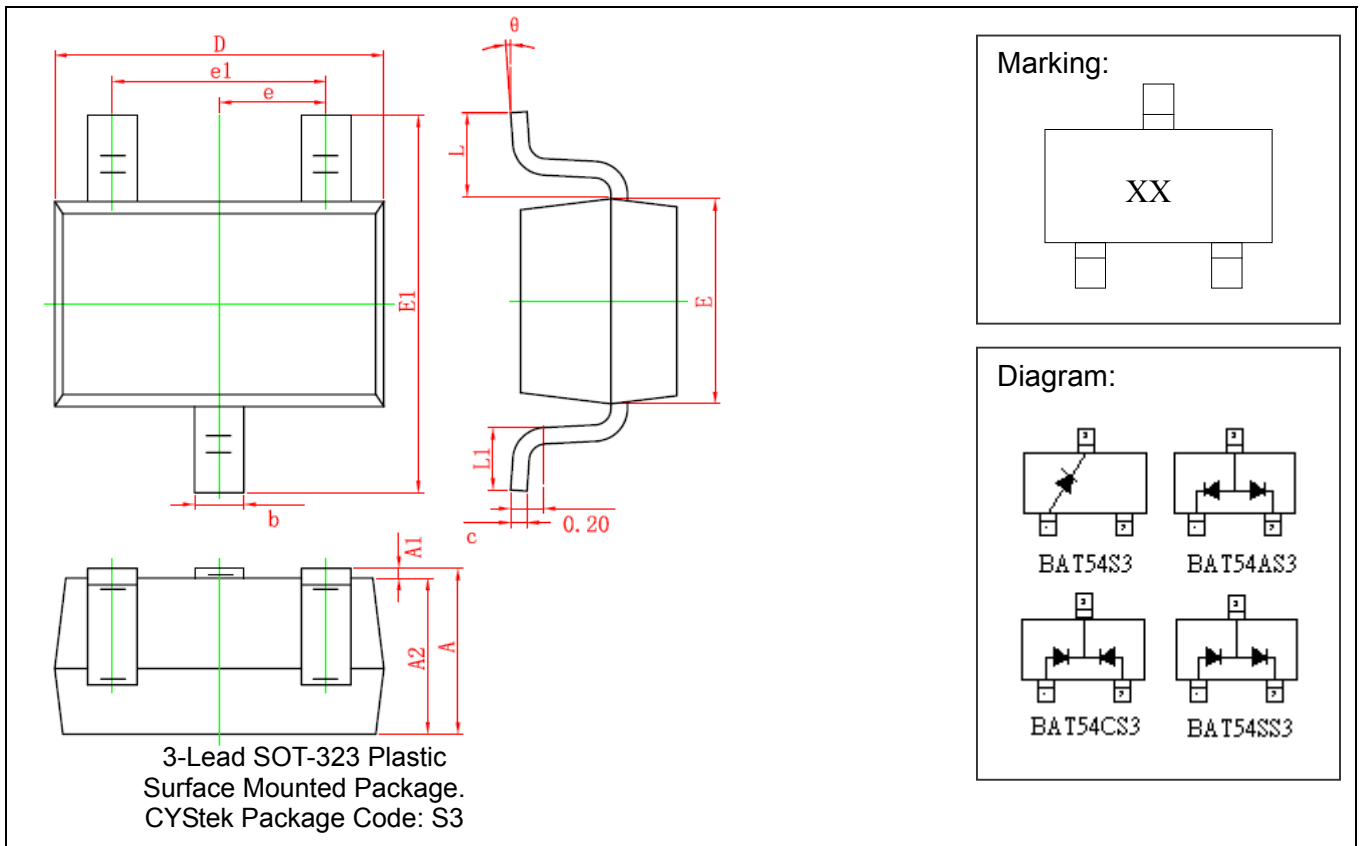
Recommended temperature profile for IR reflow



| Profile feature | Sn-Pb eutectic Assembly | Pb-free Assembly |
|---|-------------------------|------------------|
| Average ramp-up rate (T _{smax} to T _p) | 3°C/second max. | 3°C/second max. |
| Preheat | | |
| -Temperature Min(T _{s min}) | 100°C | 150°C |
| -Temperature Max(T _{s max}) | 150°C | 200°C |
| -Time(t _{s min} to t _{s max}) | 60-120 seconds | 60-180 seconds |
| Time maintained above: | | |
| -Temperature (T _L) | 183°C | 217°C |
| - Time (t _L) | 60-150 seconds | 60-150 seconds |
| Peak Temperature(T _p) | 240 +0/-5 °C | 260 +0/-5 °C |
| Time within 5°C of actual peak temperature(tp) | 10-30 seconds | 20-40 seconds |
| Ramp down rate | 6°C/second max. | 6°C/second max. |
| Time 25 °C to peak temperature | 6 minutes max. | 8 minutes max. |

Note : All temperatures refer to topside of the package, measured on the package body surface.

SOT-323 Dimension



3-Lead SOT-323 Plastic Surface Mounted Package.
 CYStek Package Code: S3

Marking:

Diagram:

BAT54S3 BAT54AS3
 BAT54CS3 BAT54SS3

- BAT54 S3 : Single Diode (Marking Code B4)
- BAT54AS3 : Common Anode. (Marking Code B7)
- BAT54CS3 : Common Cathode. (Marking Code 5C)
- BAT54SS3 : Series Connected. (Marking Code B8)

| DIM | Millimeters | | Inches | | DIM | Millimeters | | Inches | |
|-----|-------------|-------|--------|-------|-----|-------------|-------|--------|-------|
| | Min. | Max. | Min. | Max. | | Min. | Max. | Min. | Max. |
| A | 0.900 | 1.100 | 0.035 | 0.043 | E1 | 2.150 | 2.450 | 0.085 | 0.096 |
| A1 | 0.000 | 0.100 | 0.000 | 0.004 | e | 0.650 | TYP | 0.026 | TYP |
| A2 | 0.900 | 1.000 | 0.035 | 0.039 | e1 | 1.200 | 1.400 | 0.047 | 0.055 |
| b | 0.200 | 0.400 | 0.008 | 0.016 | L | 0.525 | REF | 0.021 | REF |
| c | 0.080 | 0.150 | 0.003 | 0.006 | L1 | 0.260 | 0.460 | 0.010 | 0.018 |
| D | 2.000 | 2.200 | 0.079 | 0.087 | θ | 0° | 8° | 0° | 8° |
| E | 1.150 | 1.350 | 0.045 | 0.053 | | | | | |

Notes: 1.Controlling dimension: millimeters.
 2.Maximum lead thickness includes lead finish thickness, and minimum lead thickness is the minimum thickness of base material.
 3.If there is any question with packing specification or packing method, please contact your local CYStek sales office.

Material:

- Lead: Pure tin plated.
- Mold Compound: Epoxy resin family, flammability solid burning class: UL94V-0.

Important Notice:

- All rights are reserved. Reproduction in whole or in part is prohibited without the prior written approval of CYStek.
- CYStek reserves the right to make changes to its products without notice.
- CYStek **semiconductor products are not warranted to be suitable for use in Life-Support Applications, or systems.**
- CYStek assumes no liability for any consequence of customer product design, infringement of patents, or application assistance.