



## 5.0Amp. Surface Mount Schottky Barrier Diodes

# SK520SB thru SK5100SB

### Features

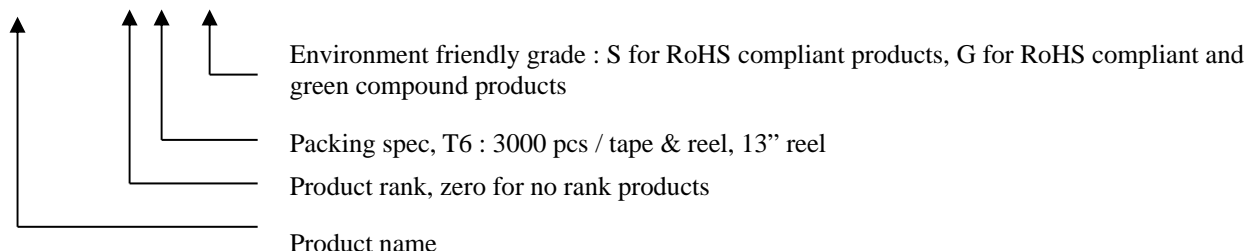
- For surface mounted applications.
- For use in low voltage, high frequency inverters, free wheeling, and polarity protection applications
- Plastic material used carries Underwriters Laboratory Flammability Classification 94V-0
- Low leakage current
- High surge capability
- Exceeds environmental standards of MIL-S-19500/228

### Mechanical Data

- Case: Molded plastic, SMB/JEDEC DO-214AA.
- Terminals: Solder plated, solderable per MIL-STD-750 method 2026
- Polarity: Indicated by cathode band.
- Mounting Position : Any.
- Weight: 0.0878 gram

### Ordering Information

Device	Package	Shipping
SK5X0SB - 0-T6-G	SMB (Pb-free lead plating and halogen-free package)	3000 pcs / Tape & Reel



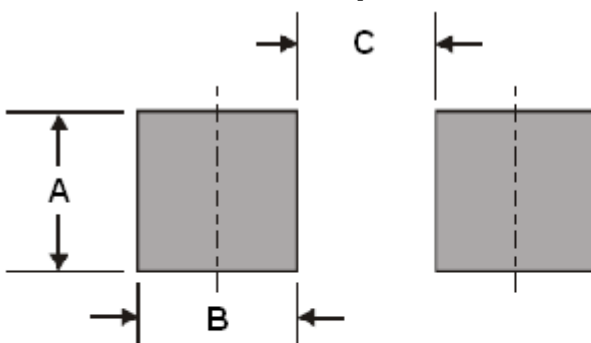
## Maximum Ratings and Electrical Characteristics

(Rating at 25°C ambient temperature unless otherwise specified. )

Parameter	Symbol	Type							Units
		SK 520	SK 530	SK 540	SK 550	SK 560	SK 580	SK 5100	
Repetitive peak reverse voltage	V <sub>RRM</sub>	20	30	40	50	60	80	100	V
Maximum RMS voltage	V <sub>RMS</sub>	14	21	28	35	42	56	70	V
Maximum DC blocking voltage	V <sub>R</sub>	20	30	40	50	60	80	100	V
Maximum instantaneous forward voltage, I <sub>F</sub> =5A (Note 1)	V <sub>F</sub>	0.55	0.55	0.55	0.7	0.7	0.85	0.85	V
Average forward rectified current	I <sub>O</sub>	5							A
Peak forward surge current @8.3ms single half sine wave superimposed on rated load (JEDEC method)	I <sub>FSM</sub>	150							A
Maximum DC reverse current V <sub>R</sub> =V <sub>RRM</sub> , T <sub>A</sub> =25°C (Note) V <sub>R</sub> =V <sub>RRM</sub> , T <sub>A</sub> =125°C (Note)	I <sub>R</sub>	0.5 50							mA mA
Maximum thermal resistance, Junction to Lead	R <sub>th,JL</sub>	12 (typ)							°C/W
Diode junction capacitance @ f=1MHz and applied 4VDC reverse voltage	C <sub>J</sub>	380(typ)							pF
Storage temperature	T <sub>stg</sub>	-55 ~ +150							°C
Operating temperature	T <sub>J</sub>	-55 ~ +125			-55 ~ +150				°C

Notes : Pulse test, pulse width=300 μ sec, 2% duty cycle

## Recommended Footprint

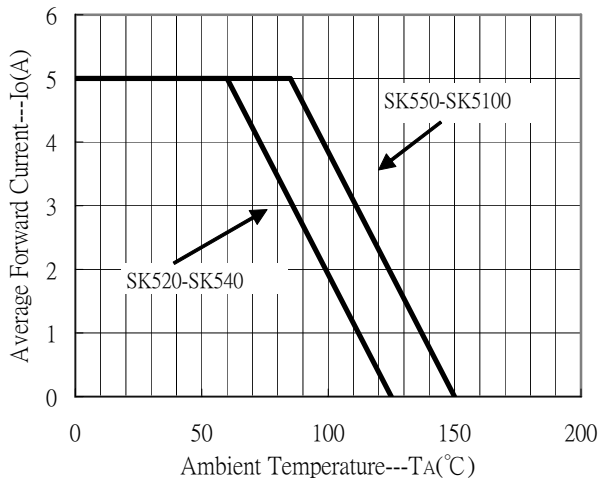


Dimensions in inches and (millimeter)

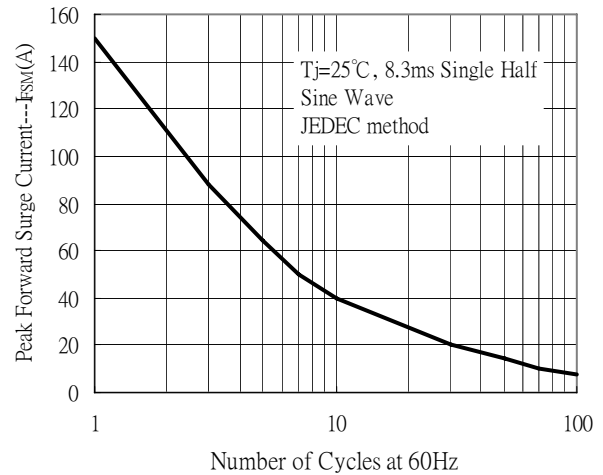
DIM	Inches	Millimeters
	Typ	Typ
A	0.142	3.60
B	0.059	1.50
C	0.118	3.00

## Typical Characteristics

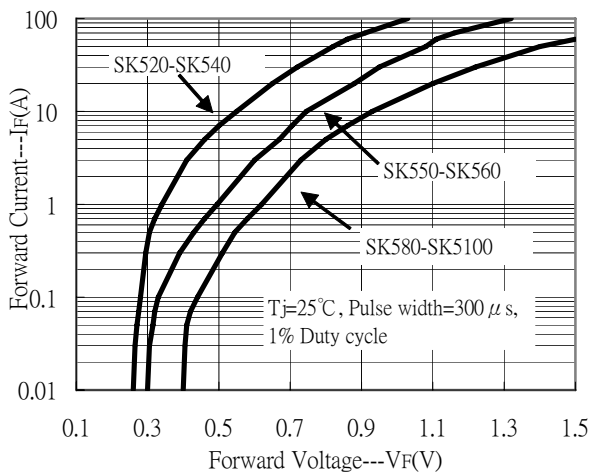
Forward Current Derating Curve



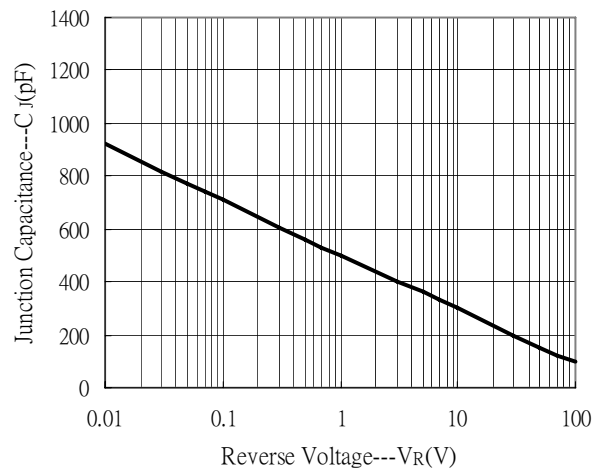
Maximum Non-Repetitive Forward Surge Current



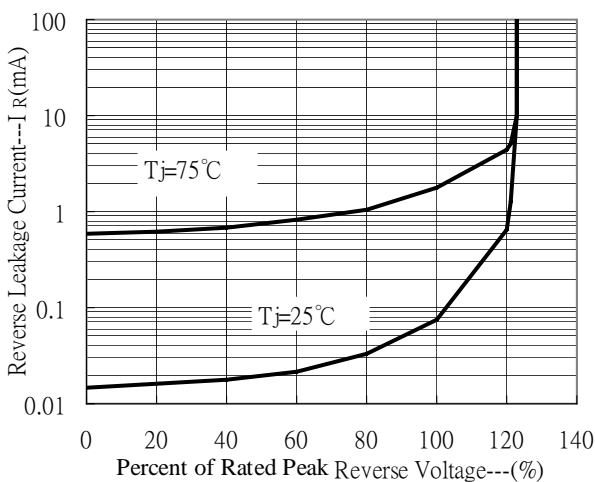
Forward Current vs Forward Voltage



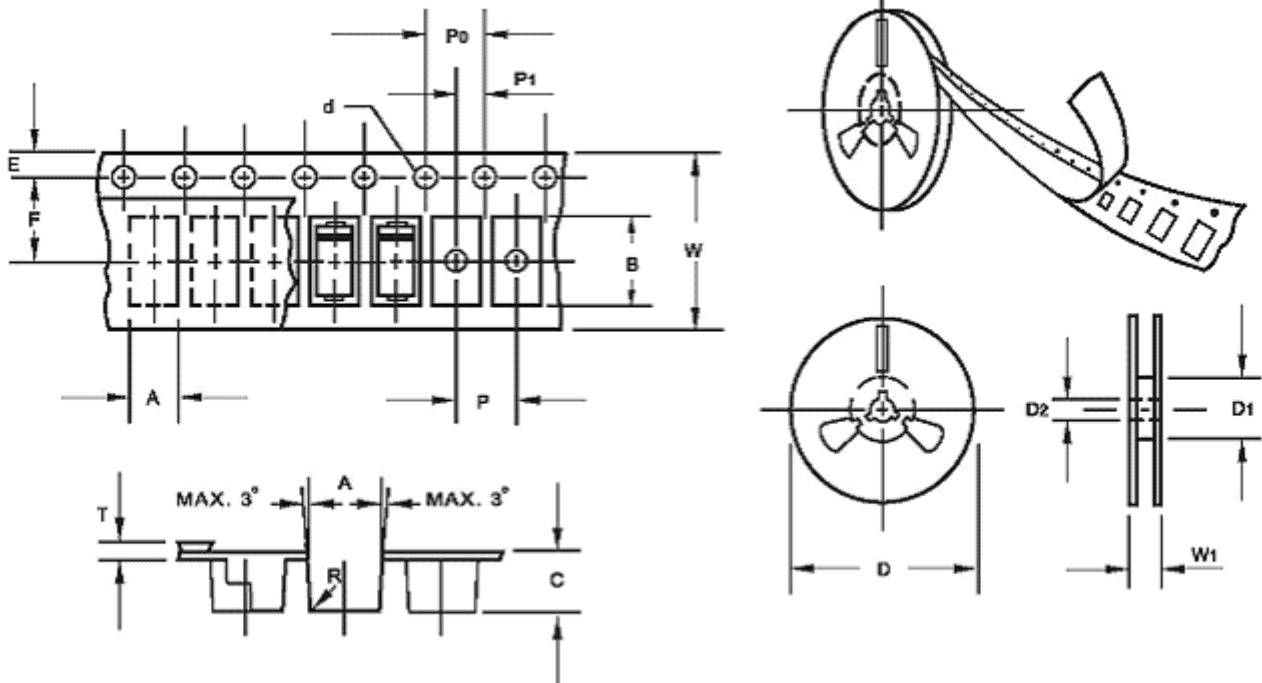
Junction Capacitance vs Reverse Voltage



Reverse Leakage Current vs Reverse Voltage



**Taping Reel Dimension**



unit : mm

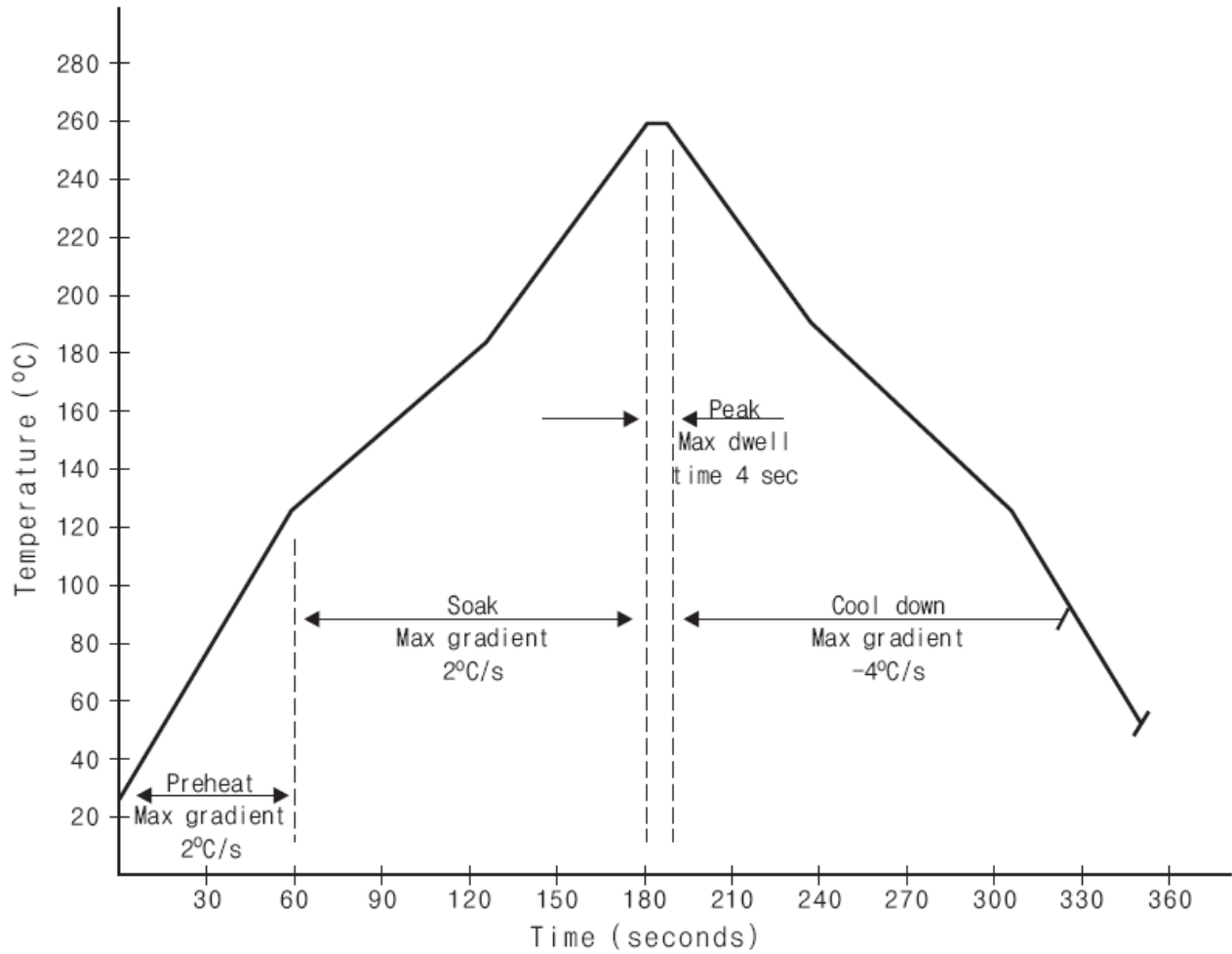
Item	Tolerance	Symbol	
Carrier width	0.10	A	SEE NOTE 2
Carrier length	0.10	B	
Carrier depth	0.10	C	
Sprocket hole	0.10	d	1.50
13" Reel outside diameter	2.00	D	330.0
13" Reel inner diameter	min.	D1	50.0
7" Reel outside diameter	2.00	D	178.0
7" Reel inner diameter	min.	D1	62.0
Feed hole diameter	0.50	D2	13.00
Sprocket hole position	0.10	E	1.75
Punch hole position	0.10	F	5.50
Punch hole pitch	0.10	P	8.00
Sprocket hole pitch	0.10	P0	4.00
Embossment center	0.10	P1	2.00
Tape width	0.30	W	12.00
Reel width	1.00	W1	16.80

NOTE: 1.Devices are packed in accordance with EIA standard RS-481-A and specification given above

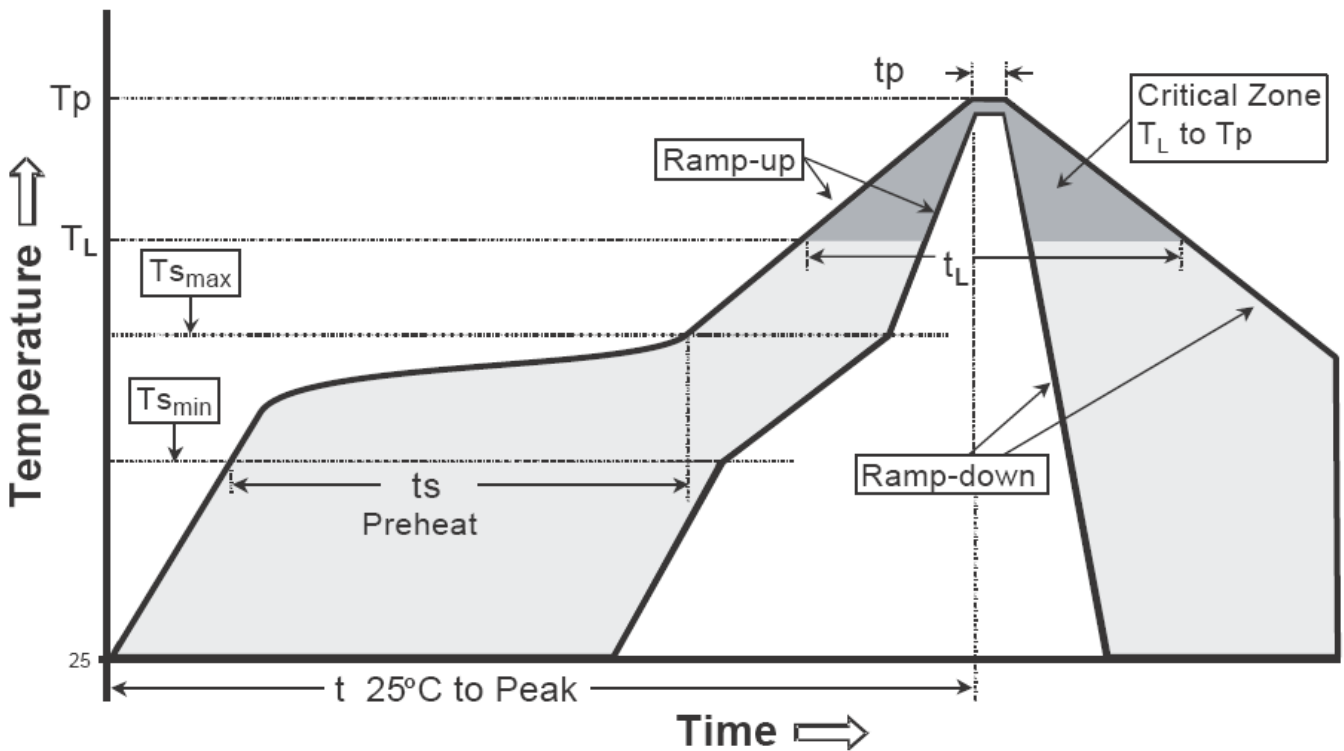
2.A,B, and C are determined by the maximum dimensions of the component size.

The clearance between the component and the cavity must be within  
 0.05mm (0.002") min. to 0.5mm(0.02") max. for 8mm tape and 12mm tape,  
 0.15mm(0.066") min. to 0.90mm(0.035") max. for 16mm tape and  
 0.15mm(0.066") min. to 1.0mm(0.59") max. for 24mm tape.

### Recommended Wave Soldering Profile



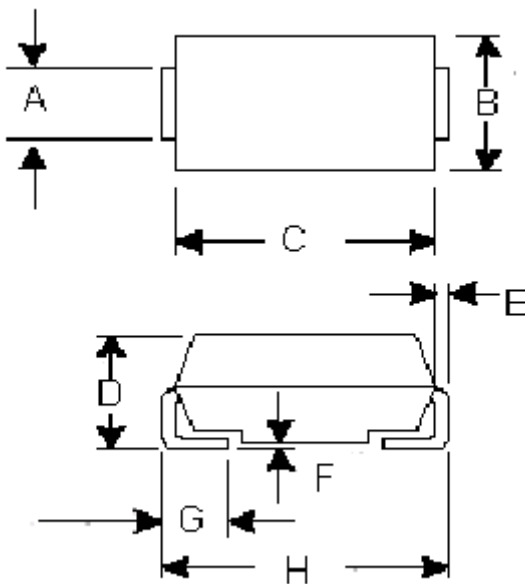
**Recommended temperature profile for IR reflow**



Profile feature	Sn-Pb eutectic Assembly	Pb-free Assembly
Average ramp-up rate (T <sub>smax</sub> to T <sub>p</sub> )	3°C/second max.	3°C/second max.
Preheat		
-Temperature Min(T <sub>s min</sub> )	100°C	150°C
-Temperature Max(T <sub>s max</sub> )	150°C	200°C
-Time(t <sub>s min</sub> to t <sub>s max</sub> )	60-120 seconds	60-180 seconds
Time maintained above:		
-Temperature (T <sub>L</sub> )	183°C	217°C
- Time (t <sub>L</sub> )	60-150 seconds	60-150 seconds
Peak Temperature(T <sub>P</sub> )	240 +0/-5 °C	260 +0/-5 °C
Time within 5°C of actual peak temperature(tp)	10-30 seconds	20-40 seconds
Ramp down rate	6°C/second max.	6°C/second max.
Time 25 °C to peak temperature	6 minutes max.	8 minutes max.

Note : All temperatures refer to topside of the package, measured on the package body surface.

**DO-214AA/SMB Dimension**



Marking Code :

SK520SB	SK530SB	SK540SB
SS52	SS53	SS54
SK550SB	SK560SB	SK580SB
SS55	SS56	SS58
SK5100SB		
S510		

DO-214AA/SMB Plastic  
 Surface Mounted Package  
 CYStek Package Code : SB

\*:Typical

DIM	Inches		Millimeters		DIM	Inches		Millimeters	
	Min.	Max.	Min.	Max.		Min.	Max.	Min.	Max.
A	0.076	0.082	1.93	2.08	E	0.006	0.012	0.15	0.31
B	0.137	0.147	3.48	3.73	F	0.004	0.008	0.10	0.20
C	0.167	0.187	4.25	4.75	G	0.035	0.056	0.90	1.41
D	0.078	0.103	1.99	2.61	H	0.207	0.215	5.26	5.46

Notes : 1.Controlling dimension : millimeters.  
 2.Maximum lead thickness includes lead finish thickness, and minimum lead thickness is the minimum thickness of base material.  
 3.If there is any question with packing specification or packing method, please contact your local CYStek sales office.

**Material :**

- Lead : Pure tin plated.
- Mold Compound : Epoxy resin family, flammability solid burning class:UL94V-0.

**Important Notice:**

- All rights are reserved. Reproduction in whole or in part is prohibited without the prior written approval of CYStek.
- CYStek reserves the right to make changes to its products without notice.
- CYStek **semiconductor products are not warranted to be suitable for use in Life-Support Applications, or systems.**
- CYStek assumes no liability for any consequence of customer product design, infringement of patents, or application assistance.