

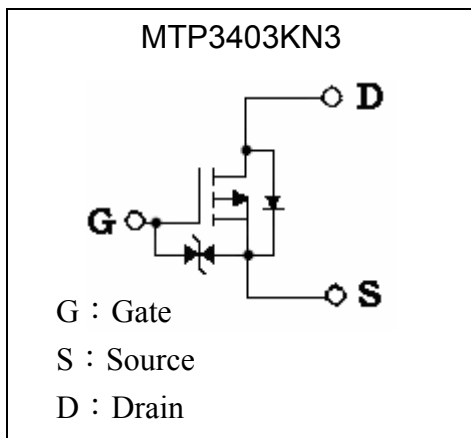
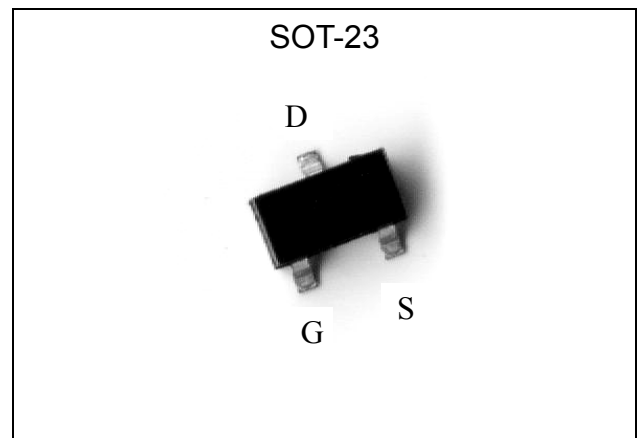
P-Channel Enhancement Mode MOSFET

MTP3403KN3

BV_{DSS}	-30V
I_D	-3.3A
R_{DS(ON)}@V_{GS}=-10V, I_D=-2.5A	63mΩ (typ)
R_{DS(ON)}@V_{GS}=-4.5V, I_D=-1.35A	100mΩ (typ)
R_{DS(ON)}@V_{GS}=-4V, I_D=-1.35A	114mΩ (typ)

Features

- Advanced trench process technology
- High density cell design for ultra low on resistance
- Low gate charge
- Compact and low profile SOT-23 package
- Pb-free & Halogen-free package

Equivalent Circuit

Outline

Absolute Maximum Ratings (Ta=25°C)

Parameter	Symbol	Limits	Unit
Drain-Source Voltage	V _{DS}	-30	V
Gate-Source Voltage	V _{GS}	±20	V
Continuous Drain Current @V _{GS} =-10V, T _A =25°C (Note 1)	I _D	-3.3	A
Continuous Drain Current @V _{GS} =-10V, T _A =70°C (Note 1)	I _D	-2.6	A
Pulsed Drain Current (Note 2)	I _{DM}	-15	A
Maximum Power Dissipation	P _D	1.25	W
Linear Derating Factor		0.01	W/°C
Operating Junction and Storage Temperature	T _j , T _{stg}	-55~+150	°C

Note : 1. Surface mounted on 1 in² copper pad of FR-4 board, t_≤10s; 270°C/W when mounted on minimum copper pad.
 2. Pulse width limited by maximum junction temperature.



Thermal Performance

Parameter	Symbol	Limit	Unit
Thermal Resistance, Junction-to-Ambient	Rth,ja	100	°C/W

Note : Surface mounted on 1 in² copper pad of FR-4 board, t≤10s; 270°C/W when mounted on minimum copper pad.

Electrical Characteristics (Tj=25°C, unless otherwise specified)

Symbol	Min.	Typ.	Max.	Unit	Test Conditions
Static					
BV _{DSS}	-30	-	-	V	I _D =-1mA, V _{GS} =0V
BV _{DSX}	-15	-	-		
V _{GS(th)}	-1	-1.7	-2		
I _{GSS}	-	-	±10	μA	V _{GS} =±20V, V _{DS} =0
I _{DSS}	-	-	-1		
	-	-	-5		
*R _{DS(ON)}	-	63	80	mΩ	I _D =-2.5A, V _{GS} =-10V
	-	100	130		
	-	114	150		
*G _{FS}	-	3.4	-	S	V _{DS} =-5V, I _D =-1.35A
Dynamic					
C _{iSS}	-	550	-	pF	V _{DS} =-15V, V _{GS} =0, f=1MHz
C _{oSS}	-	86	-		
C _{rSS}	-	63	-		
*t _{d(ON)}	-	10	-	ns	V _{DS} =-15V, V _{GS} =-4.5V, I _D =-1A, R _G =10Ω
*t _r	-	16	-		
*t _{d(OFF)}	-	20	-		
*t _f	-	10	-		
*Q _g	-	7.6	-	nC	V _{DS} =-15V, I _D =-3.3A, V _{GS} =-4.5V
*Q _{gs}	-	1.8	-		
*Q _{gd}	-	2.8	-		
Source-Drain Diode					
*I _S	-	-	-3.3	A	
*V _{SD}	-	-0.76	-1.0	V	V _{GS} =0V, I _{SD} =-1A

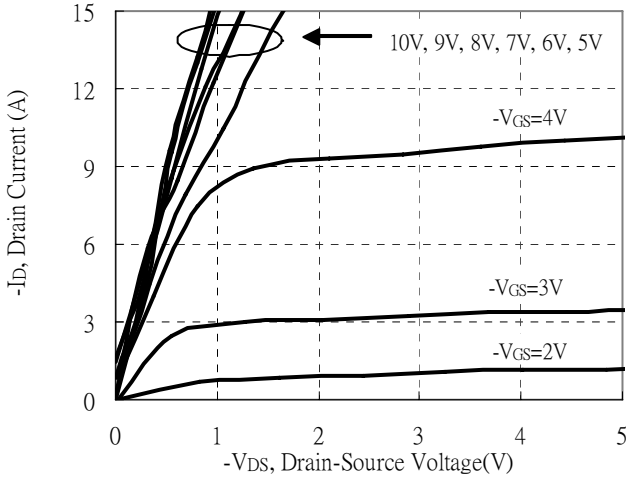
*Pulse Test : Pulse Width ≤300μs, Duty Cycle≤2%

Ordering Information

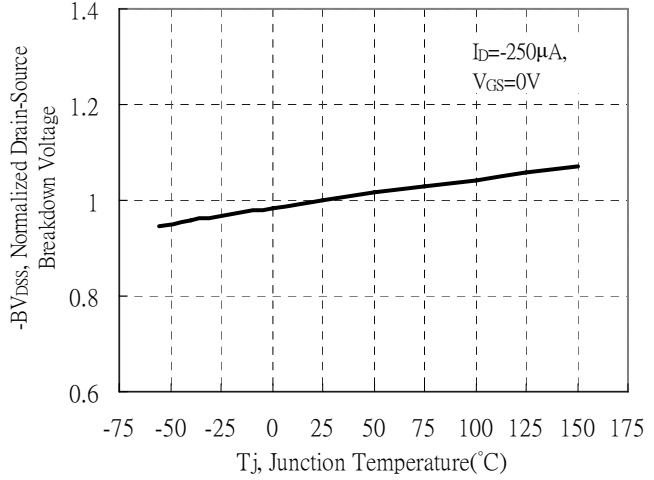
Device	Package	Shipping	Marking
MTP3403KN3	SOT-23 (Pb-free)	3000 pcs / Tape & Reel	K3403

Typical Characteristics

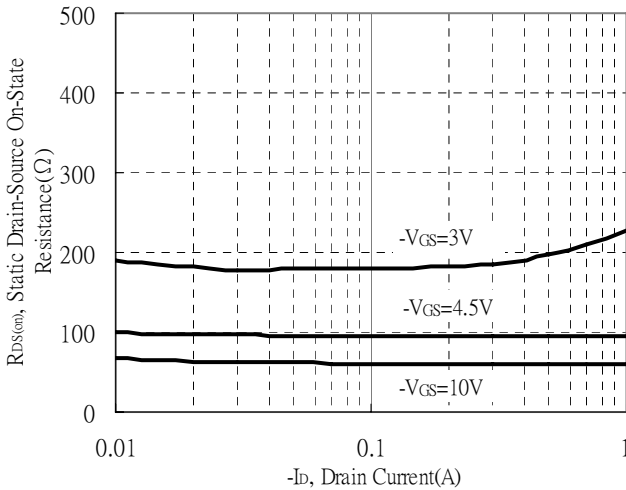
Typical Output Characteristics



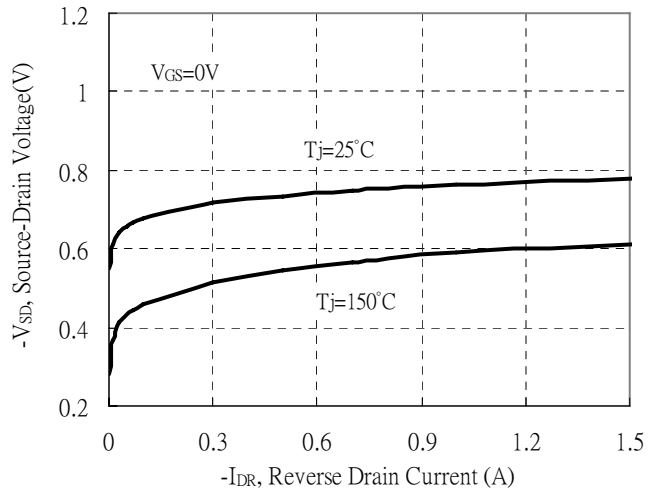
Breakdown Voltage vs Ambient Temperature



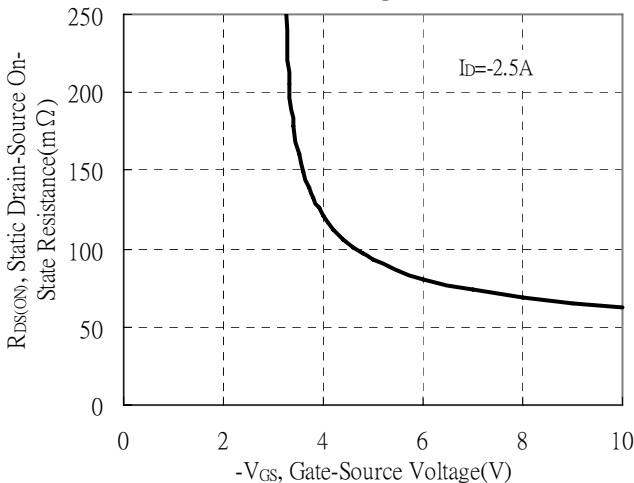
Static Drain-Source On-State resistance vs Drain Current



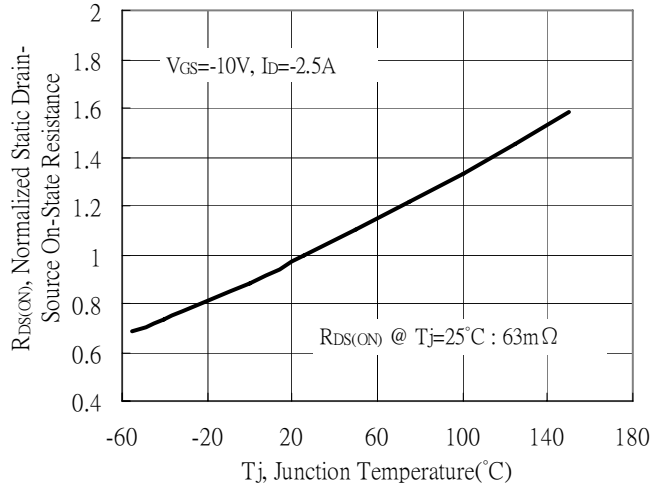
Reverse Drain Current vs Source-Drain Voltage



Static Drain-Source On-State Resistance vs Gate-Source Voltage

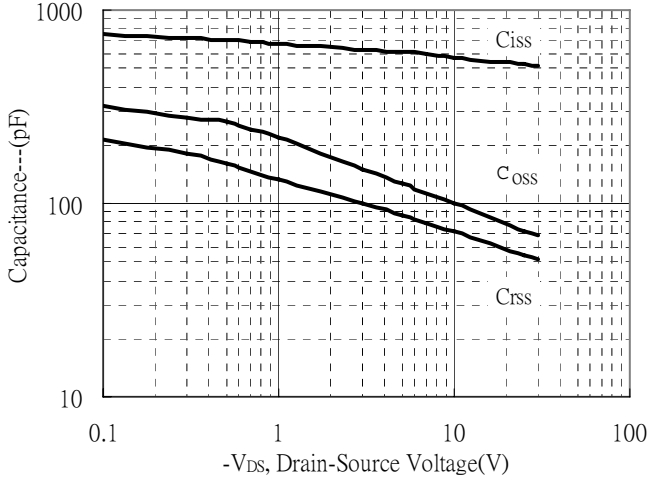


Drain-Source On-State Resistance vs Junction Temperature

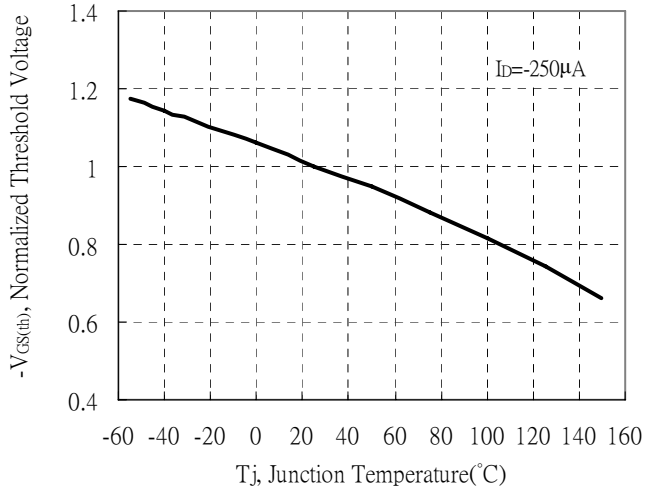


Typical Characteristics(Cont.)

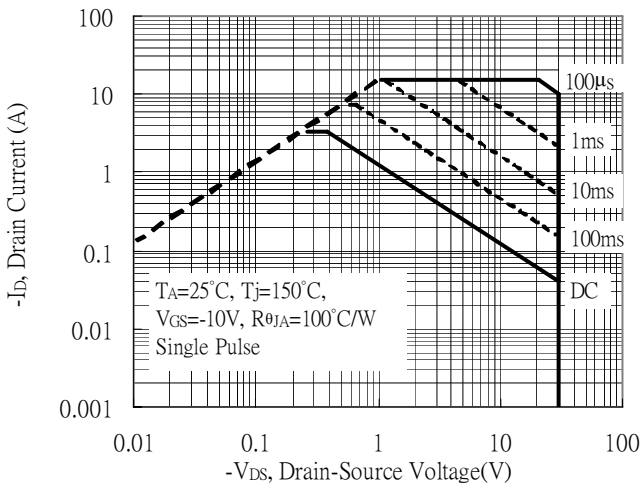
Capacitance vs Drain-to-Source Voltage



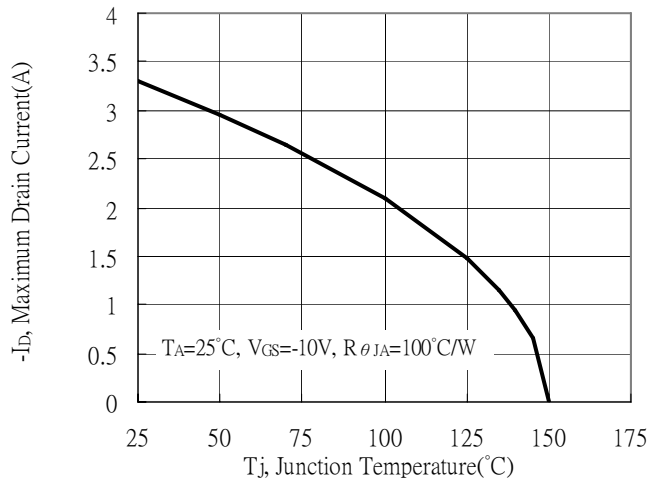
Threshold Voltage vs Junction Temperature



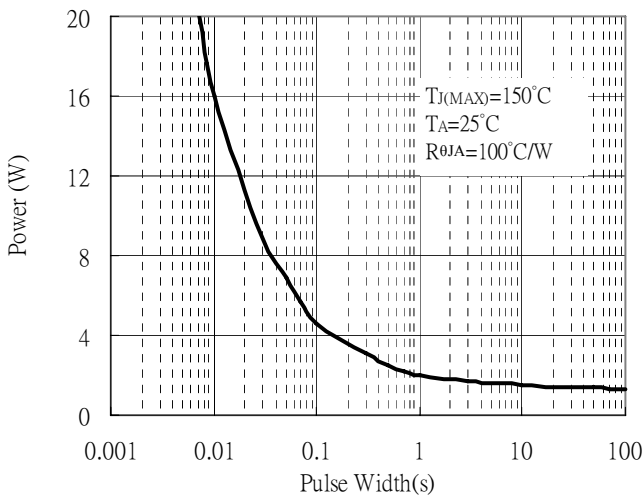
Maximum Safe Operating Area



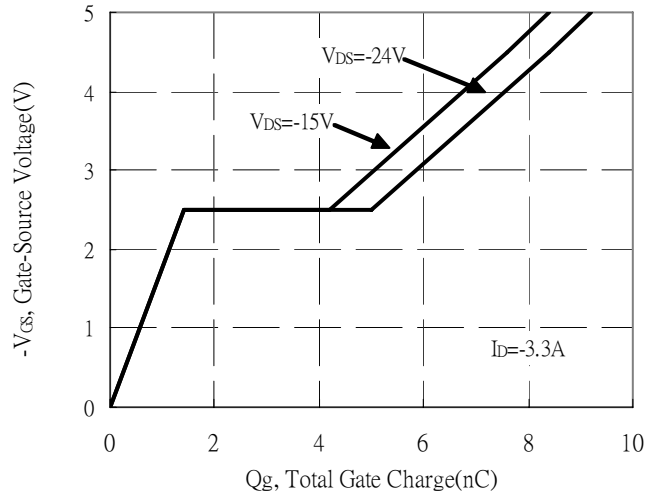
Maximum Drain Current vs Junction Temperature



Single Pulse Power Rating, Junction to Ambient

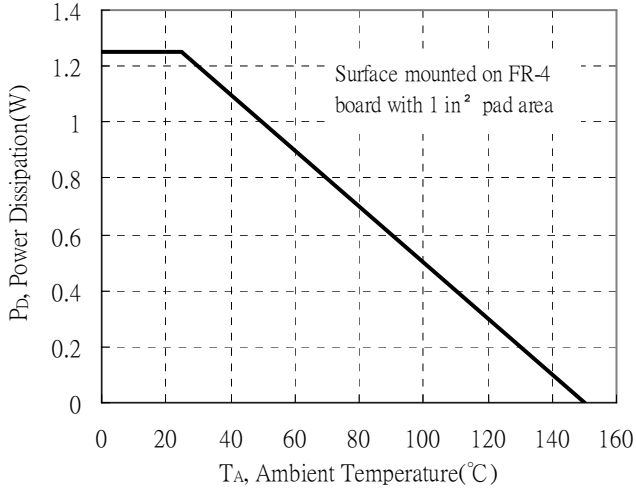


Gate Charge Characteristics

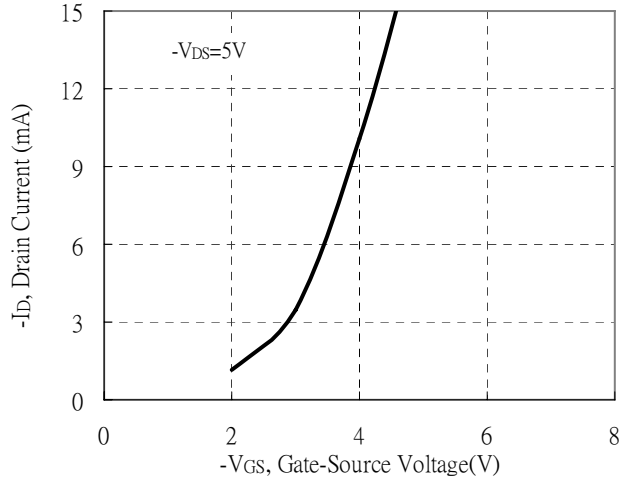


Typical Characteristics(Cont.)

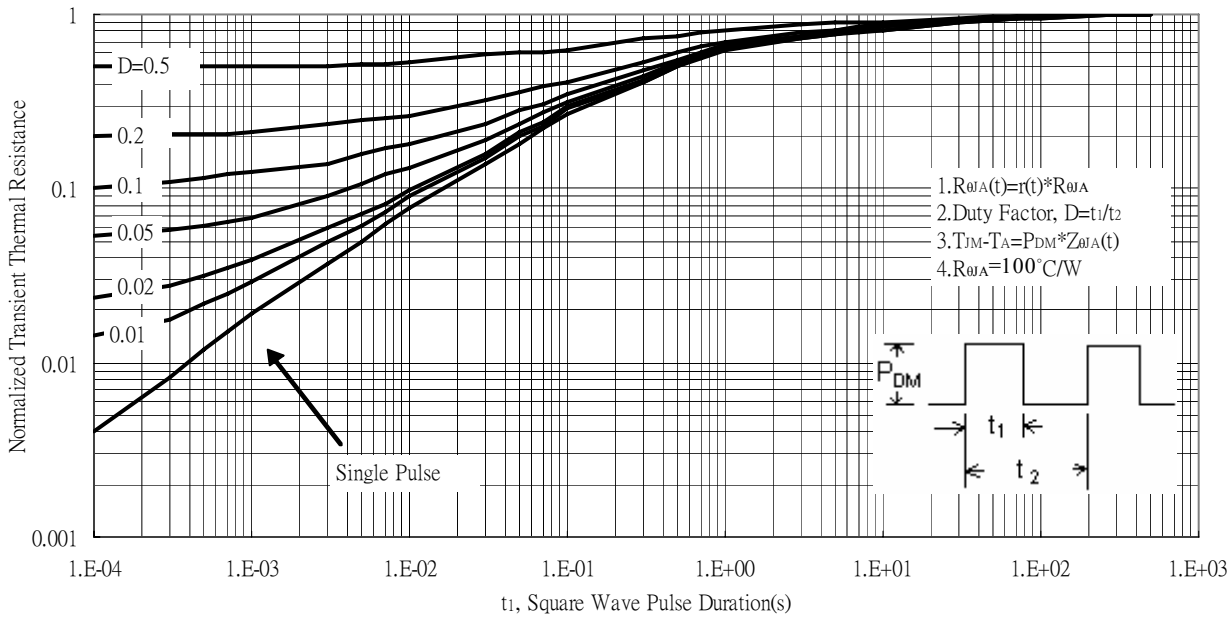
Power Derating Curve



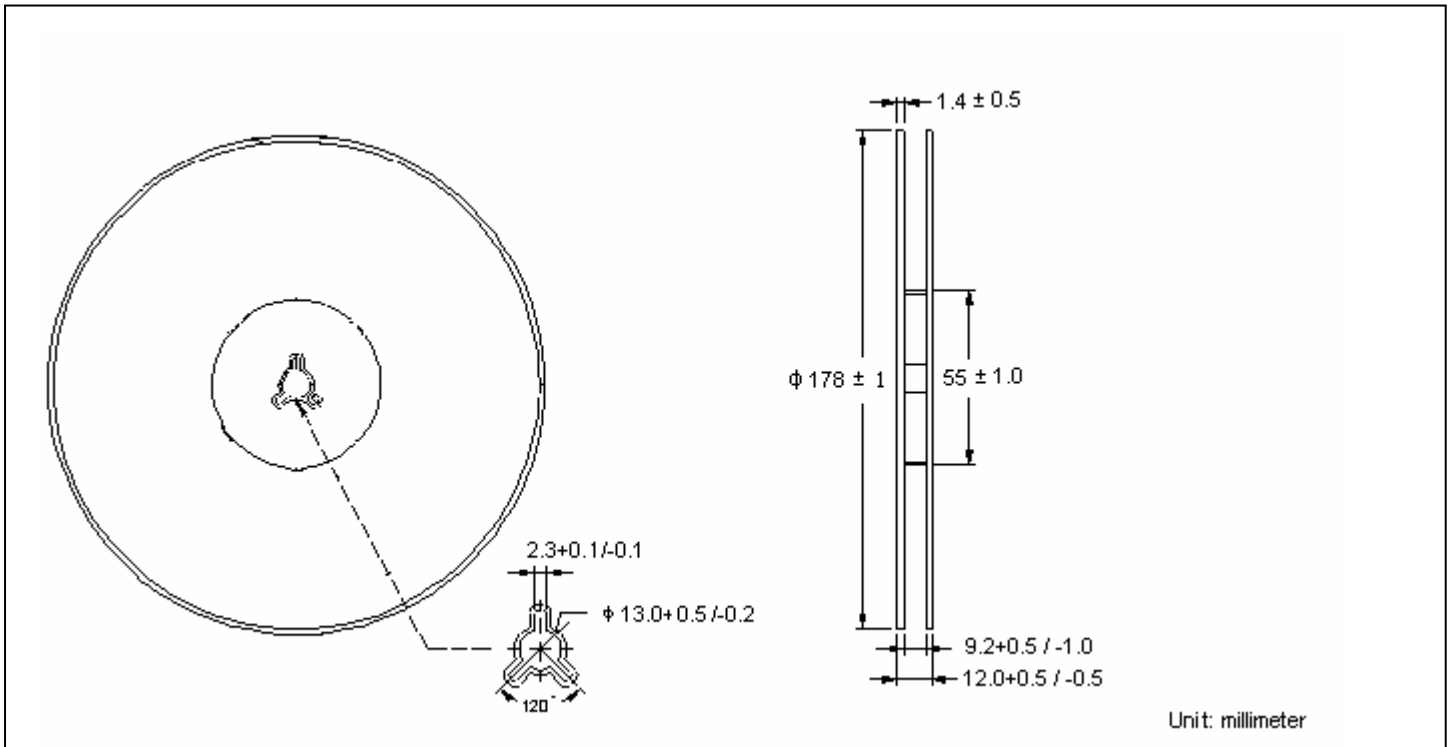
Typical Transfer Characteristics



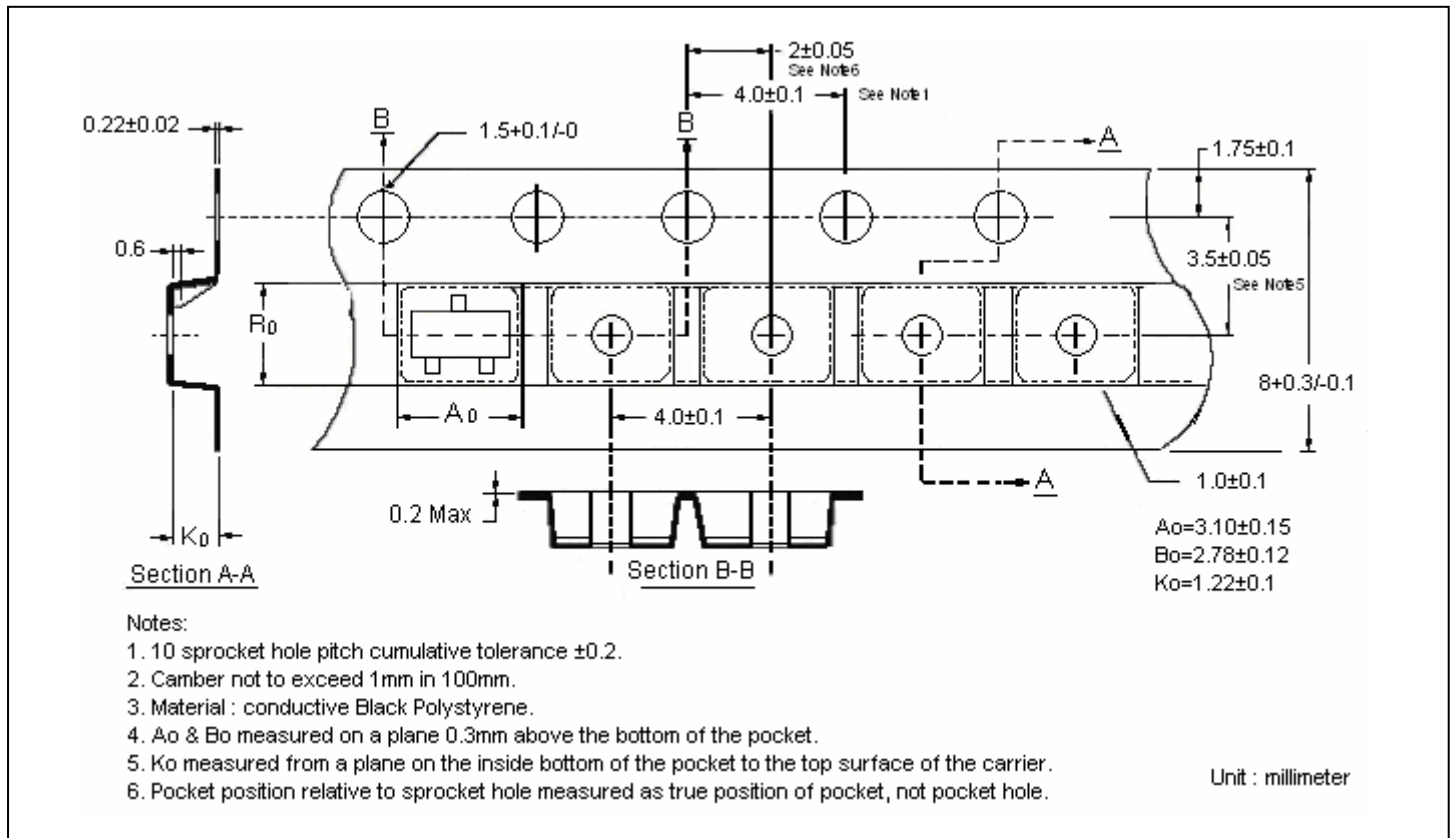
Transient Thermal Response Curves



Reel Dimension



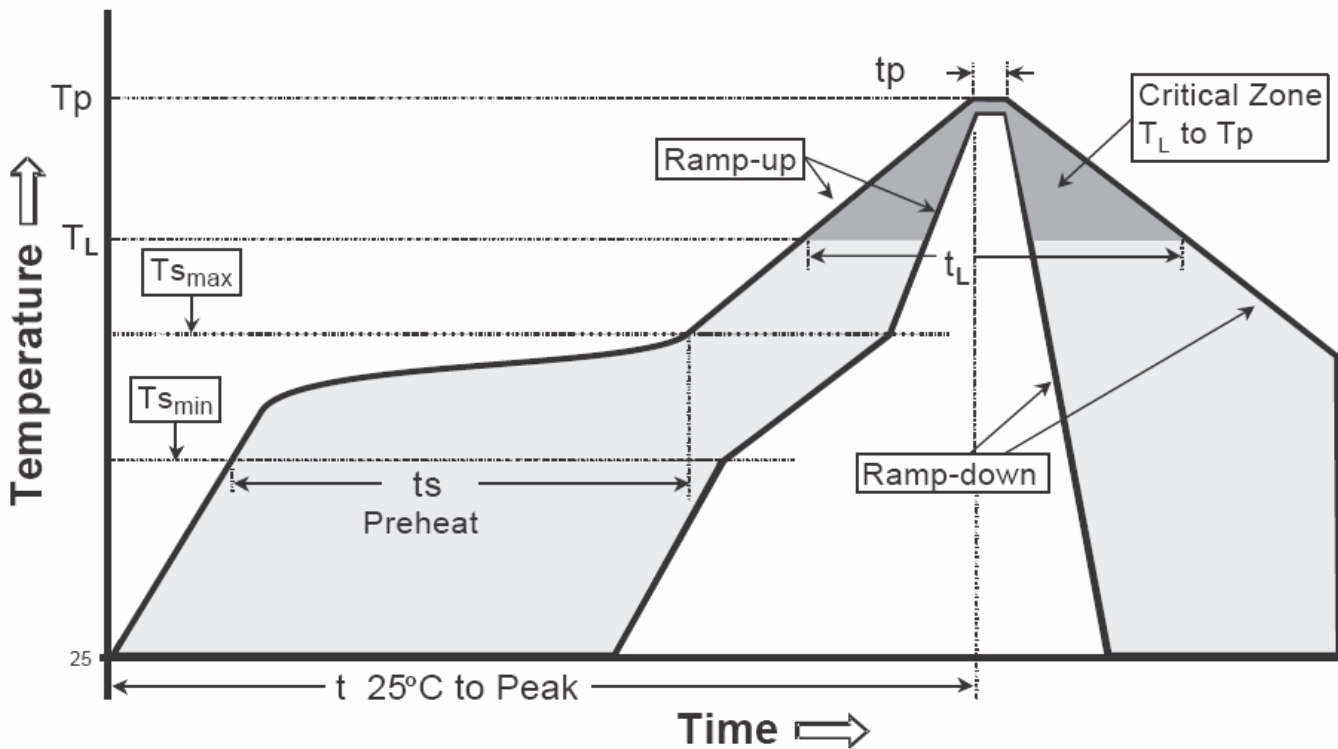
Carrier Tape Dimension



Recommended wave soldering condition

Product	Peak Temperature	Soldering Time
Pb-free devices	260 +0/-5 °C	5 +1/-1 seconds

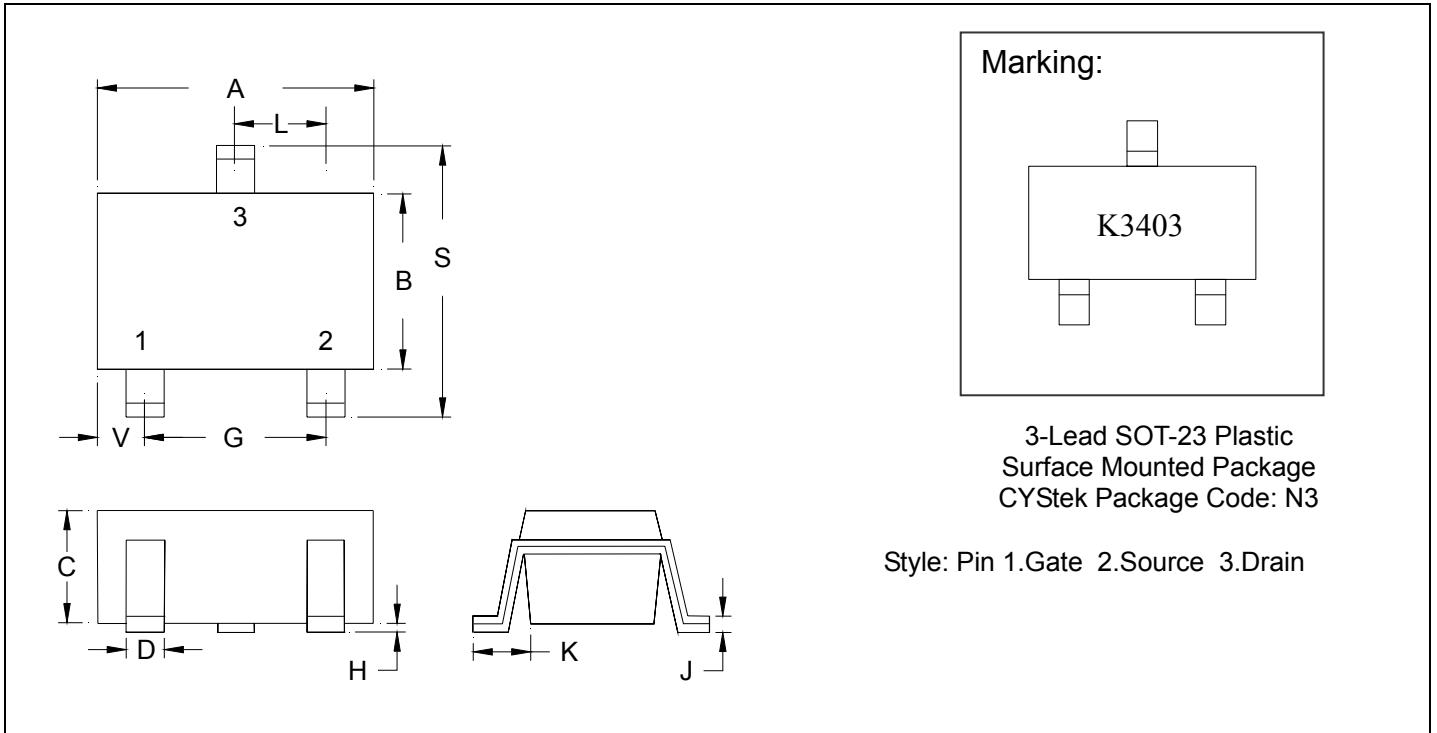
Recommended temperature profile for IR reflow



Profile feature	Sn-Pb eutectic Assembly	Pb-free Assembly
Average ramp-up rate (T _{smax} to T _p)	3°C/second max.	3°C/second max.
Preheat		
-Temperature Min(T _{s min})	100°C	150°C
-Temperature Max(T _{s max})	150°C	200°C
-Time(t _{s min} to t _{s max})	60-120 seconds	60-180 seconds
Time maintained above:		
-Temperature (T _L)	183°C	217°C
- Time (t _L)	60-150 seconds	60-150 seconds
Peak Temperature(T _P)	240 +0/-5 °C	260 +0/-5 °C
Time within 5°C of actual peak temperature(tp)	10-30 seconds	20-40 seconds
Ramp down rate	6°C/second max.	6°C/second max.
Time 25 °C to peak temperature	6 minutes max.	8 minutes max.

Note : All temperatures refer to topside of the package, measured on the package body surface.

SOT-23 Dimension



*: Typical

DIM	Inches		Millimeters		DIM	Inches		Millimeters	
	Min.	Max.	Min.	Max.		Min.	Max.	Min.	Max.
A	0.1102	0.1204	2.80	3.04	J	0.0034	0.0070	0.085	0.177
B	0.0472	0.0630	1.20	1.60	K	0.0128	0.0266	0.32	0.67
C	0.0335	0.0512	0.89	1.30	L	0.0335	0.0453	0.85	1.15
D	0.0118	0.0197	0.30	0.50	S	0.0830	0.1161	2.10	2.95
G	0.0669	0.0910	1.70	2.30	V	0.0098	0.0256	0.25	0.65
H	0.0005	0.0040	0.013	0.10					

Notes: 1.Controlling dimension: millimeters.

2.Maximum lead thickness includes lead finish thickness, and minimum lead thickness is the minimum thickness of base material.

3.If there is any question with packing specification or packing method, please contact your local CYStek sales office.

Material:

- Lead: Pure tin plated.
- Mold Compound: Epoxy resin family, flammability solid burning class: UL94V-0.

Important Notice:

- All rights are reserved. Reproduction in whole or in part is prohibited without the prior written approval of CYStek.
- CYStek reserves the right to make changes to its products without notice.
- CYStek **semiconductor products are not warranted to be suitable for use in Life-Support Applications, or systems.**
- CYStek assumes no liability for any consequence of customer product design, infringement of patents, or application assistance.