

Dual N-Channel Enhancement Mode MOSFET

MTDN8810T8

B _V D _{SS}	20V
I _D	5A
R _{DSON} @V _{GS} =4.5V, I _D =5A	17.5mΩ (typ)
R _{DSON} @V _{GS} =2.5V, I _D =2.6A	25mΩ (typ)
R _{DSON} @V _{GS} =1.8V, I _D =1A	41mΩ (typ)

Description

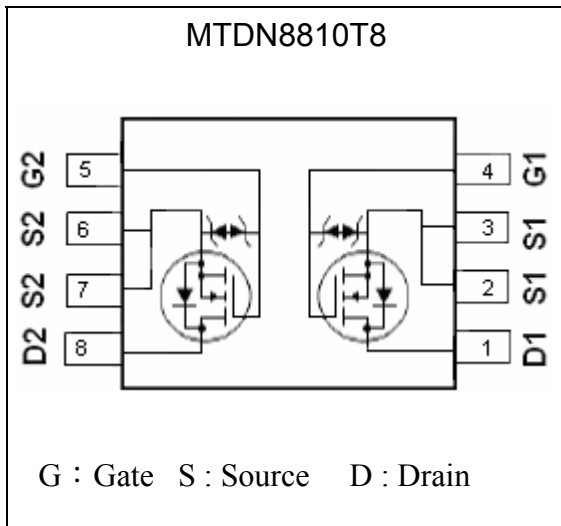
The MTDN8810T8 is a dual N-channel enhancement-mode MOSFET, providing the designer with the best combination of fast switching, ruggedized device design, low on-resistance and cost effectiveness and is suitable for applications such as power management of portable device.

The TSSOP-8 package is universally preferred for all commercial-industrial surface mount applications.

Features

- 1.8V drive available
- Low on-resistance
- Fast switching speed
- Pb-free lead plating package

Equivalent Circuit



Ordering Information

Device	Package	Shipping	Marking
MTDN8810T8	TSSOP-8 (Pb-free lead plating package)	3000 pcs/ Tape & Reel	8810TS



Absolute Maximum Ratings (Ta=25°C)

Parameter	Symbol	Limits	Unit
Drain-Source Breakdown Voltage	BV _{DSS}	20	V
Gate-Source Voltage	V _{GS}	±8	
Continuous Drain Current (Note 1)	I _D	T _A =25°C	5
		T _A =70°C	4
Pulsed Drain Current (Note 2)	I _{DM}	20	A
Total Power Dissipation (Note 1)	P _D	T _A =25°C	1
		T _A =70°C	0.64
Operating Junction and Storage Temperature Range	T _j ; T _{stg}	-55~+150	°C
Thermal Resistance, Junction-to-Ambient (Note 1)	R _{th,ja}	125	°C/W

Note : 1.Surface mounted on 1 in ² copper pad of FR-4 board, t≤10sec. The value in any given application depends on the user's specific board design.
 2.Pulse width ≤300μs, Duty Cycle≤2%

Electrical Characteristics (Tj=25°C, unless otherwise specified)

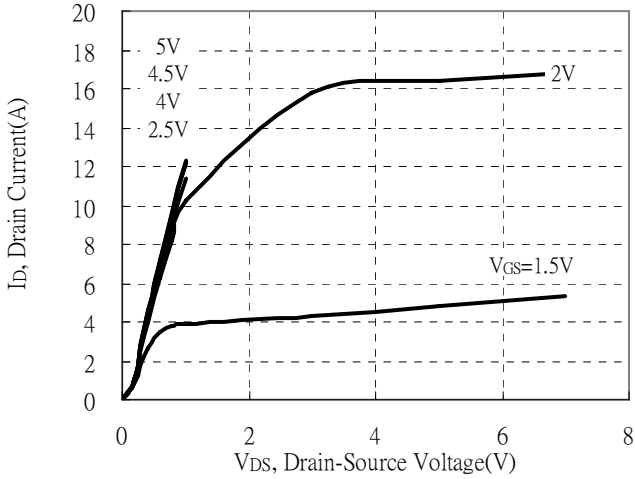
Symbol	Min.	Typ.	Max.	Unit	Test Conditions
Static					
BV _{DSS}	20	-	-	V	V _{GS} =0, I _D =250μA
V _{GS(th)}	0.4	0.75	1.0	V	V _{DS} =V _{GS} , I _D =250μA
I _{GSS}	-	-	±20	μA	V _{GS} =±8V, V _{DS} =0
I _{DSS}	-	-	1		V _{DS} =20V, V _{GS} =0
	-	-	25		V _{DS} =16V, V _{GS} =0, T _j =125°C
*R _{DS(ON)}	-	17.5	28	mΩ	I _D =5A, V _{GS} =4.5V
	-	25	40		I _D =2.6A, V _{GS} =2.5V
	-	41	60		I _D =1A, V _{GS} =1.8V
*G _{FS}	-	10	-	S	V _{DS} =5V, I _D =5A
Dynamic					
C _{iss}	-	509	-	pF	V _{DS} =10V, V _{GS} =0, f=1MHz
C _{oss}	-	100	-		
C _{rss}	-	81	-		
*t _{d(ON)}	-	5	-	ns	V _{DD} =10V, I _D =1A, V _{GS} =4.5V, R _G =6Ω
*t _r	-	11	-		
*t _{d(OFF)}	-	22	-		
*t _f	-	18	-		
*Q _g	-	7	-	nC	V _{DS} =10V, V _{GS} =4.5V, I _D =5A
*Q _{gs}	-	0.9	-		
*Q _{gd}	-	2.4	-		
Source Drain Diode					
*I _S	-	-	5	A	
*I _{SM}	-	-	20		
*V _{SD}	-	0.77	1.2	V	V _{GS} =0V, I _S =1.2A
*t _{rr}	-	14	-	ns	I _F =5A, dI _F /dt=100A/μs
*Q _{rr}	-	7	-	nC	

*Pulse Test : Pulse Width ≤300μs, Duty Cycle≤2%

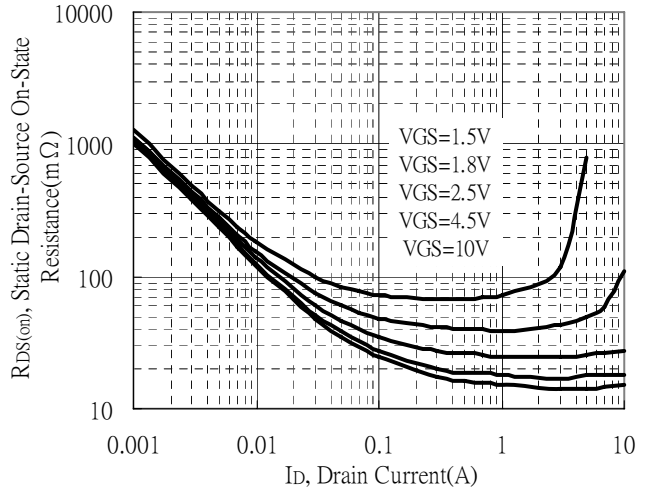


Typical Characteristics

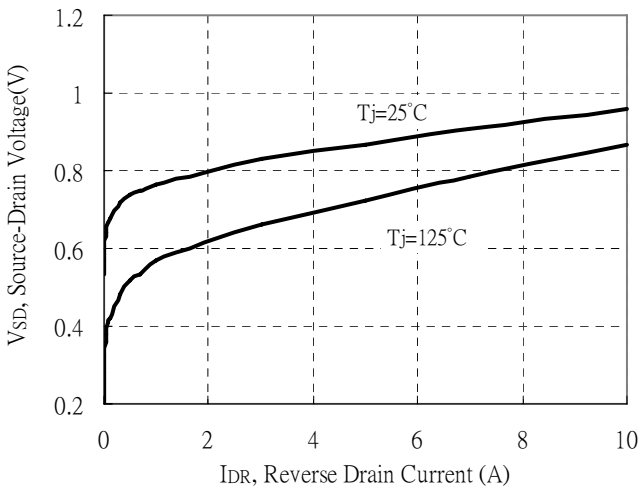
Typical Output Characteristics



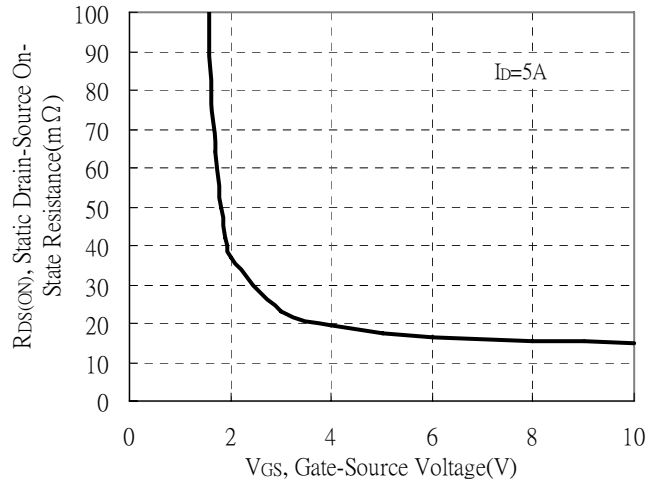
Static Drain-Source On-State resistance vs Drain Current



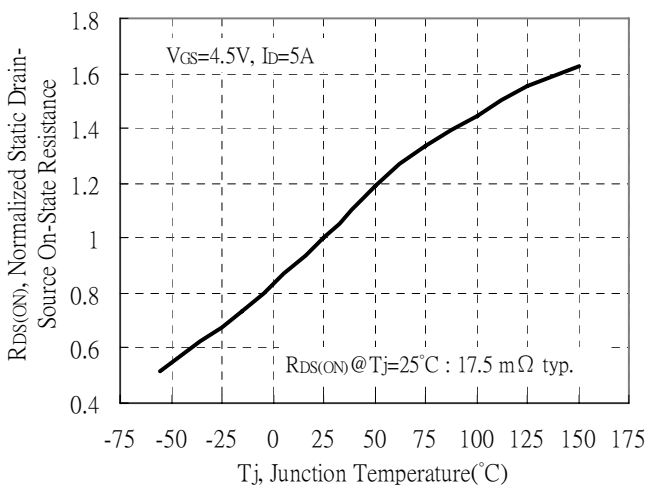
Reverse Drain Current vs Source-Drain Voltage



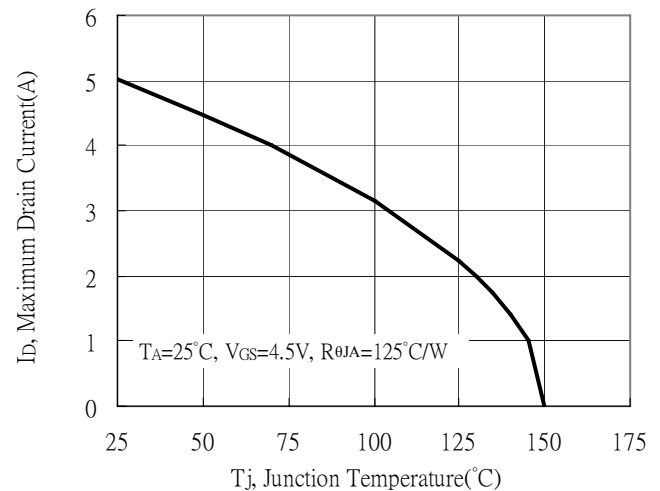
Static Drain-Source On-State Resistance vs Gate-Source Voltage



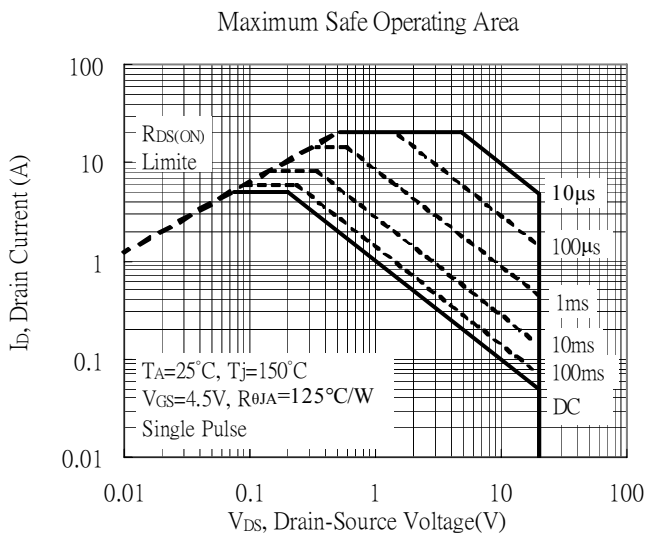
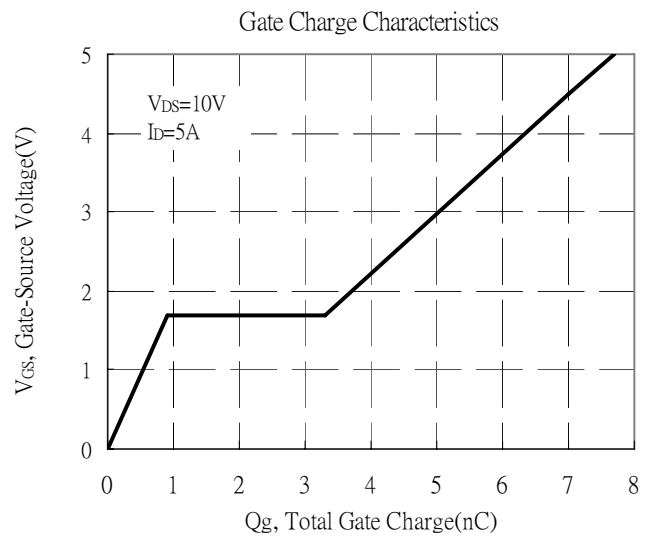
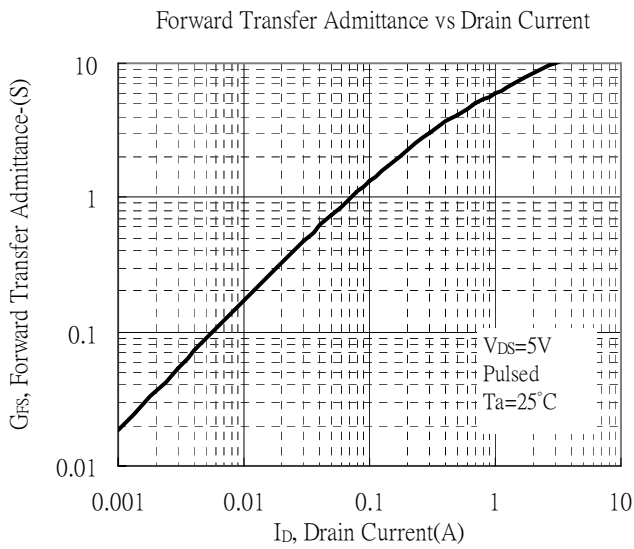
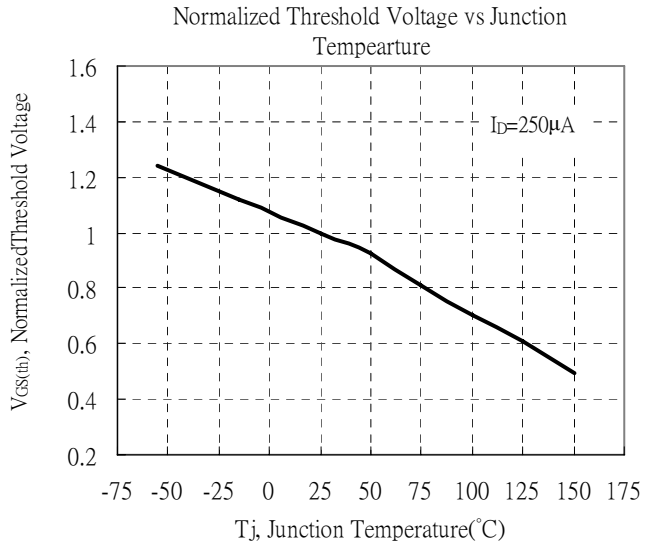
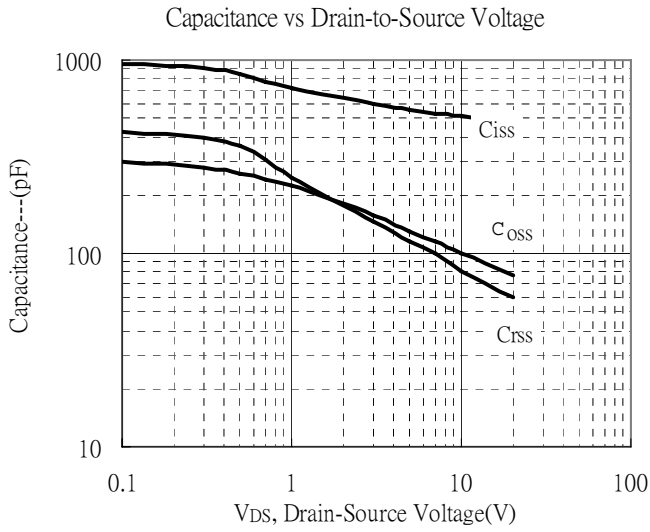
Drain-Source On-State Resistance vs Junction Temperature



Maximum Drain Current vs Junction Temperature

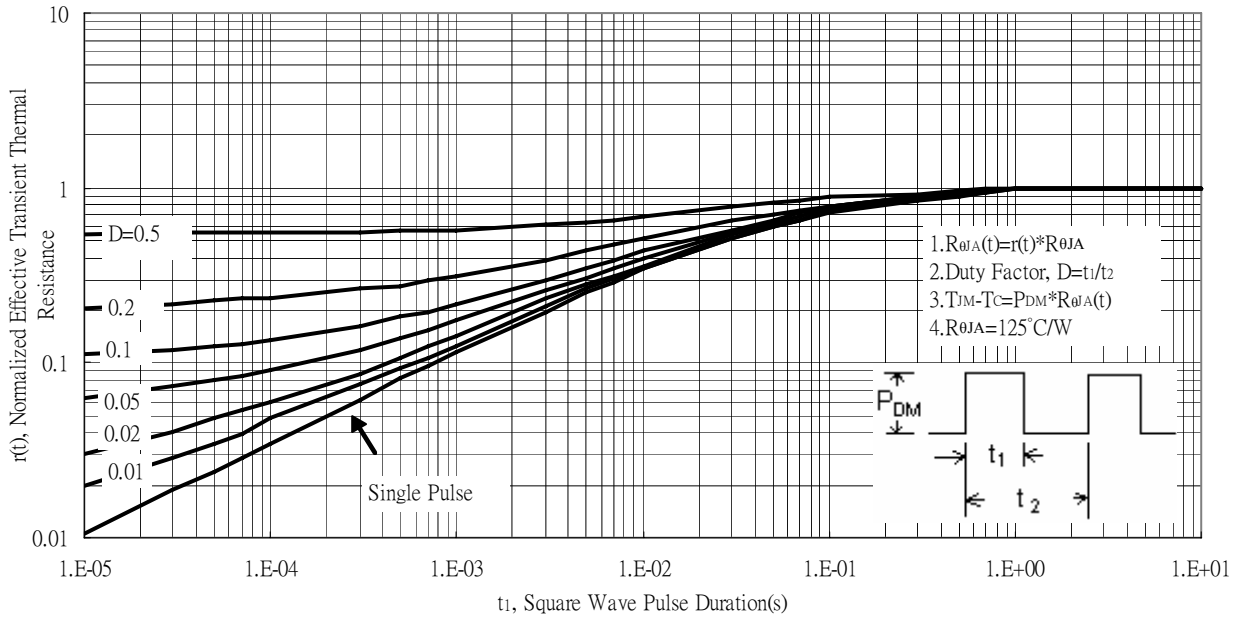


Typical Characteristics(Cont.)

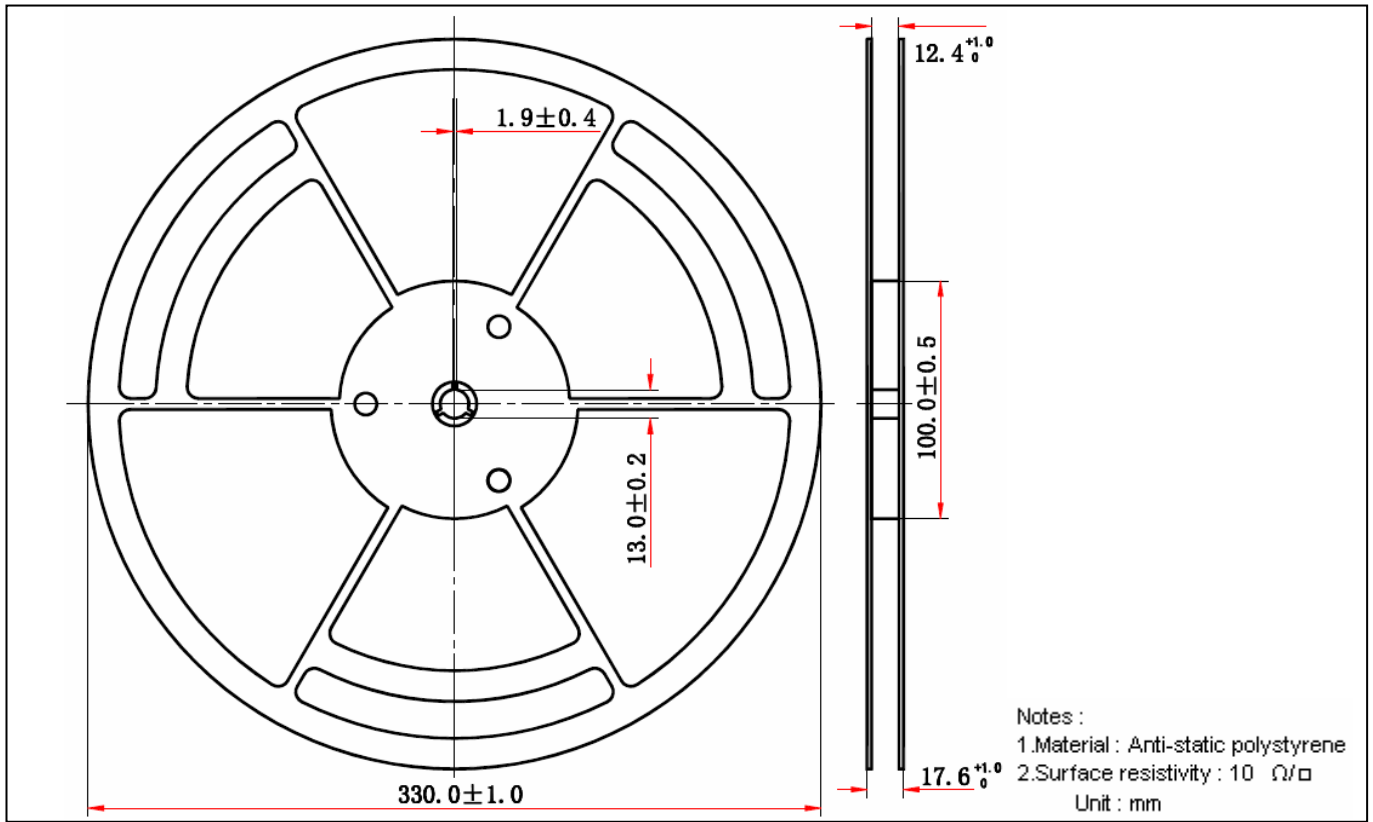


Typical Characteristics(Cont.)

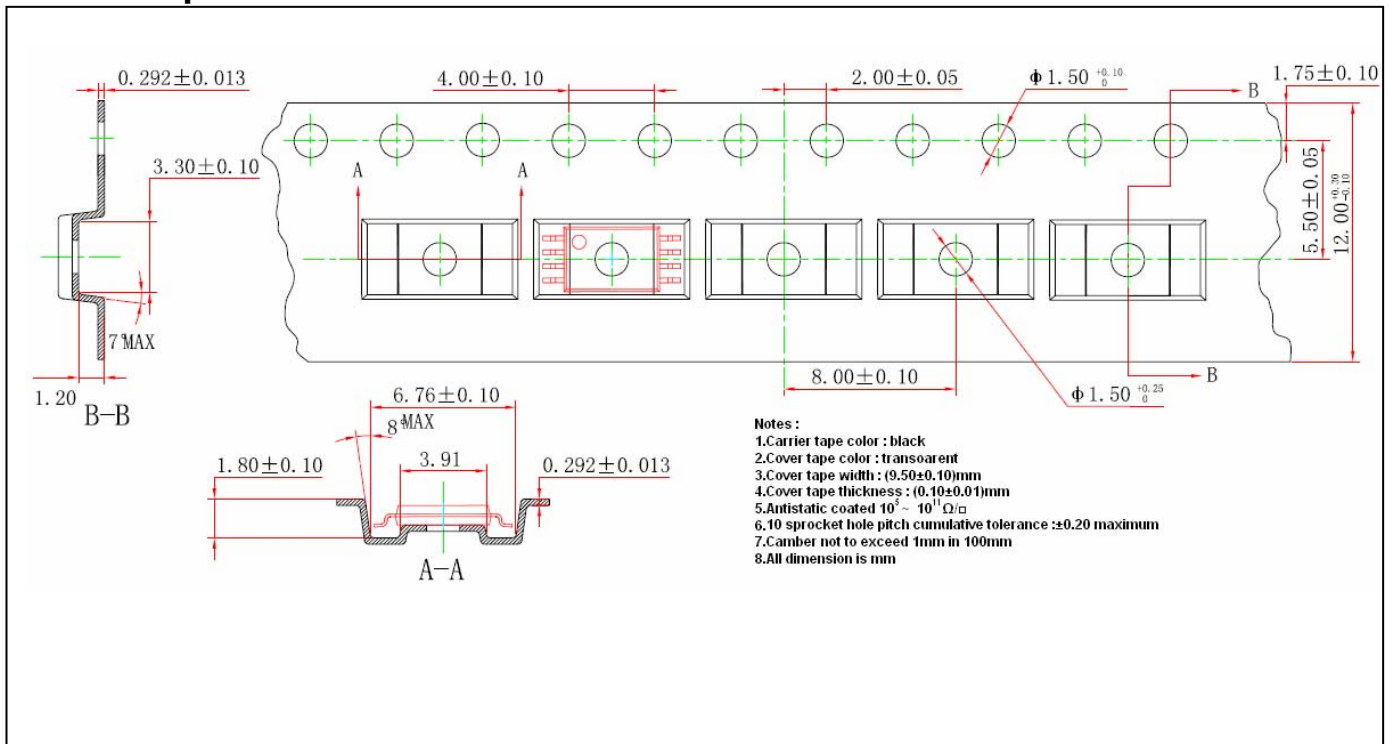
Transient Thermal Response Curves



Reel Dimension



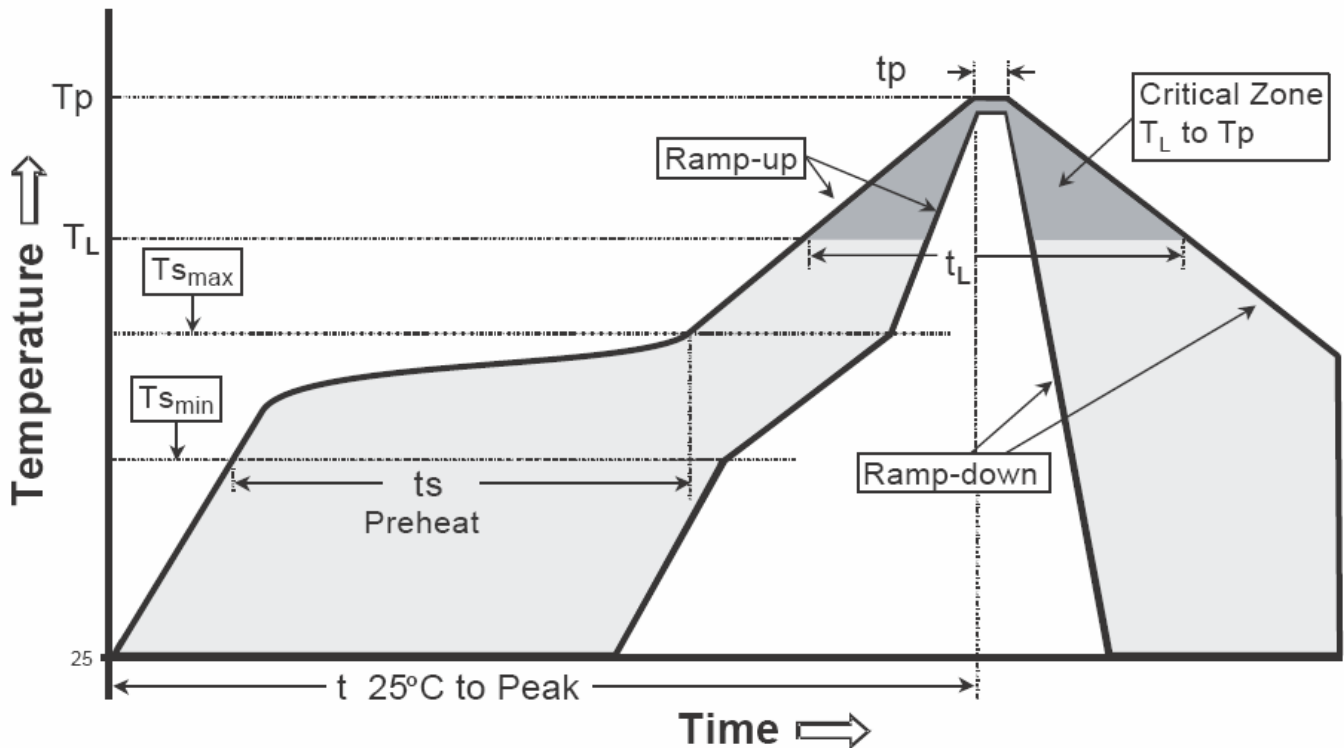
Carrier Tape Dimension



Recommended wave soldering condition

Product	Peak Temperature	Soldering Time
Pb-free devices	260 +0/-5 °C	5 +1/-1 seconds

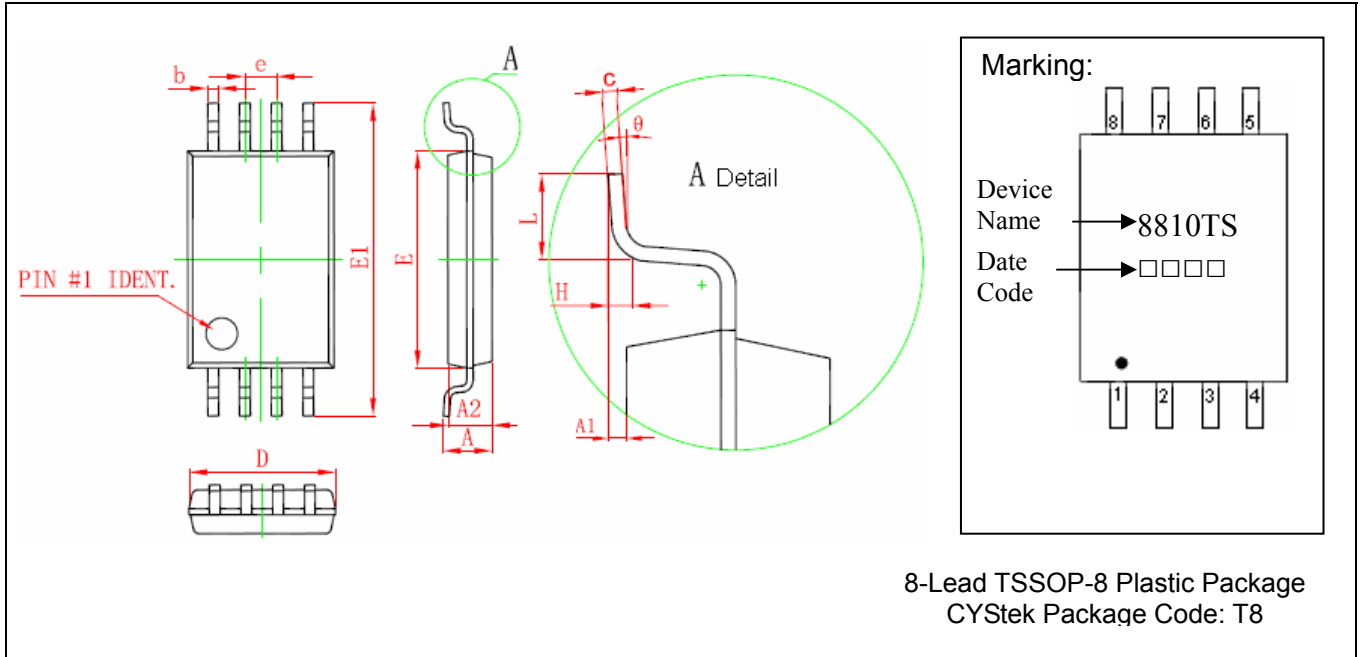
Recommended temperature profile for IR reflow



Profile feature	Sn-Pb eutectic Assembly	Pb-free Assembly
Average ramp-up rate (Tsmmax to Tp)	3°C/second max.	3°C/second max.
Preheat		
-Temperature Min(Ts min)	100°C	150°C
-Temperature Max(Ts max)	150°C	200°C
-Time(ts min to ts max)	60-120 seconds	60-180 seconds
Time maintained above:		
-Temperature (Tl)	183°C	217°C
- Time (tl)	60-150 seconds	60-150 seconds
Peak Temperature(Tp)	240 +0/-5 °C	260 +0/-5 °C
Time within 5°C of actual peak temperature(tp)	10-30 seconds	20-40 seconds
Ramp down rate	6°C/second max.	6°C/second max.
Time 25 °C to peak temperature	6 minutes max.	8 minutes max.

Note : All temperatures refer to topside of the package, measured on the package body surface.

TSSOP-8 Dimension



*: Typical

DIM	Millimeters		Inches		DIM	Millimeters		Inches	
	Min.	Max.	Min.	Max.		Min.	Max.	Min.	Max.
A	-	1.200	-	0.047	E	4.300	4.500	0.169	0.177
A1	0.020	0.150	0.001	0.006	E1	6.250	6.550	0.246	0.258
A2	0.800	1.000	0.031	0.039	e	0.650 (BSC)		0.026 (BSC)	
b	0.190	0.300	0.007	0.012	L	0.500	0.700	0.020	0.028
c	0.090	0.200	0.004	0.008	H	0.250*		0.010*	
D	2.900	3.100	0.114	0.122	θ	1°	7°	1°	7°

- Notes:**
- Controlling dimension: millimeters.
 - Maximum lead thickness includes lead finish thickness, and minimum lead thickness is the minimum thickness of base material.
 - If there is any question with packing specification or packing method, please contact your local CYStek sales office.

Material:

- Lead: Pure tin plated.
- Mold Compound: Epoxy resin family, flammability solid burning class: UL94V-0.

Important Notice:

- All rights are reserved. Reproduction in whole or in part is prohibited without the prior written approval of CYStek.
- CYStek reserves the right to make changes to its products without notice.
- CYStek **semiconductor products are not warranted to be suitable for use in Life-Support Applications, or systems.**
- CYStek assumes no liability for any consequence of customer product design, infringement of patents, or application assistance.