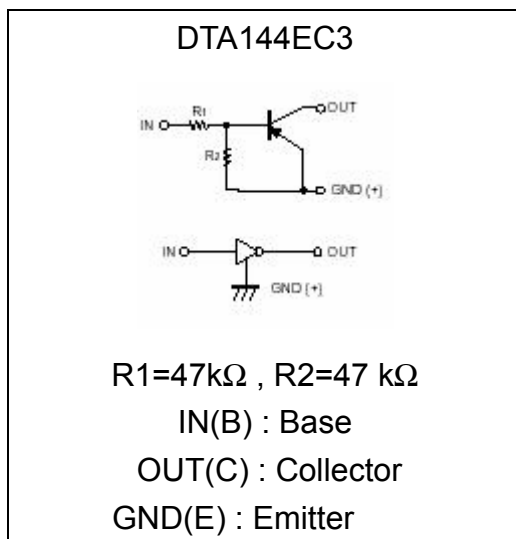
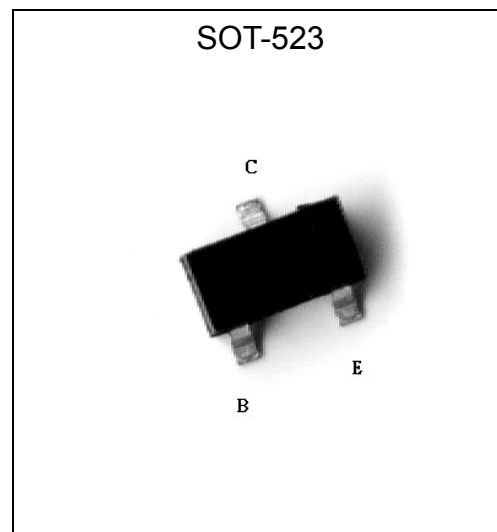


General Purpose PNP Digital Transistors (Built-in Resistors)

DTA144EC3

Features

- Built-in bias resistors enable the configuration of an inverter circuit without connecting external input resistors (see equivalent circuit).
- The bias resistors consist of thin-film resistors with complete isolation to allow negative biasing of the input. They also have the advantage of almost completely eliminating parasitic effects.
- Only the on/off conditions need to be set for operation, making device design easy.
- Complements the DTC144EC3
- Pb-free package

Equivalent Circuit

Outline

Absolute Maximum Ratings (Ta=25°C)

| Parameter | Symbol | Limits | Unit |
|---|----------------------|----------|------|
| Supply Voltage | V _{CC} | -50 | V |
| Input Voltage | V _{IN} | -40~+10 | V |
| Output Current | I _O | -30 | mA |
| | I _{O(max.)} | -100 | mA |
| Power Dissipation | P _d | 150 | mW |
| Thermal Resistance, Junction to Ambient | R _{θJA} | 833 | °C/W |
| Junction Temperature | T _j | 150 | °C |
| Storage Temperature | T _{stg} | -55~+150 | °C |



Electrical Characteristics (Ta=25°C)

| Parameter | Symbol | Min. | Typ. | Max. | Unit | Test Conditions |
|----------------------|---------------------------------|------|------|-------|------|--|
| Input Voltage | V _{I(off)} | - | - | -0.5 | V | V _{CC} =-5V, I _o =-100μA |
| | V _{I(on)} | -3 | - | - | V | V _o =-0.3V, I _o =-2mA |
| Output Voltage | V _{o(on)} | - | -0.1 | -0.3 | V | I _o /I _i =-10mA/-0.5mA |
| Input Current | I _i | - | - | -0.18 | mA | V _i =-5V |
| Output Current | I _{o(off)} | - | - | -0.5 | μA | V _{CC} =-50V, V _i =0V |
| DC Current Gain | G _i | 68 | - | - | - | V _o =-5V, I _o =-5mA |
| Input Resistance | R _i | 32.9 | 47 | 61.1 | kΩ | - |
| Resistance Ratio | R ₂ / R ₁ | 0.8 | 1 | 1.2 | - | - |
| Transition Frequency | f _T | - | 250 | - | MHz | V _{CE} =-10V, I _E =-5mA, f=100MHz* |

* Transition frequency of the device

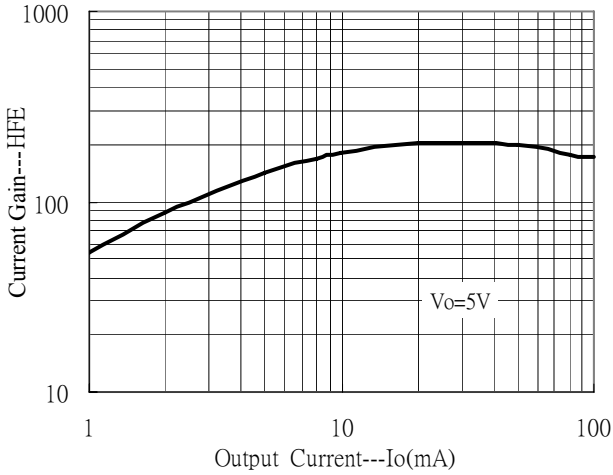
Ordering Information

| Device | Package | Shipping | Marking |
|-----------|------------------------------|------------------------|---------|
| DTA144EC3 | SOT-523 (Pb-free package) | 3000 pcs / Tape & Reel | 16 |

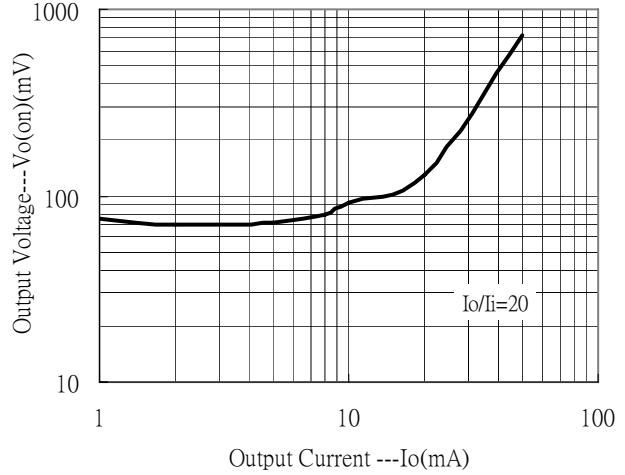


Characteristic Curves

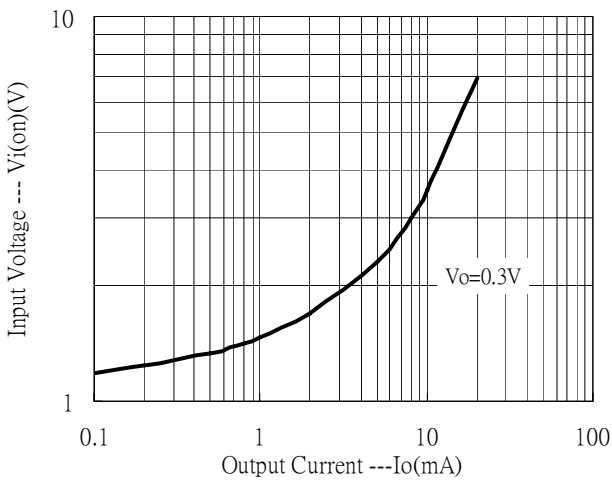
DC Current Gain vs Output Current



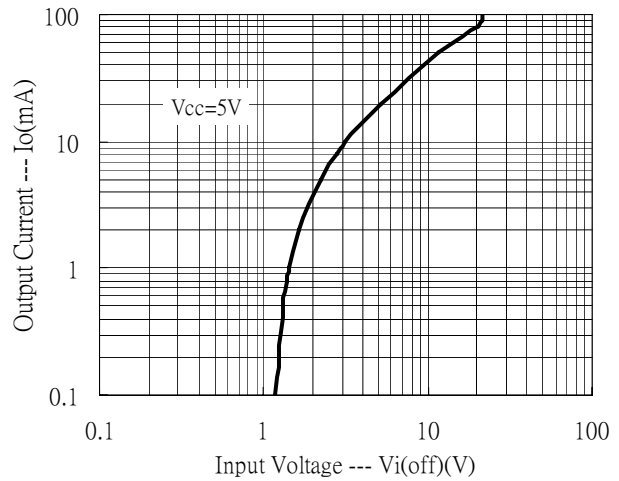
Output Voltage vs Output Current



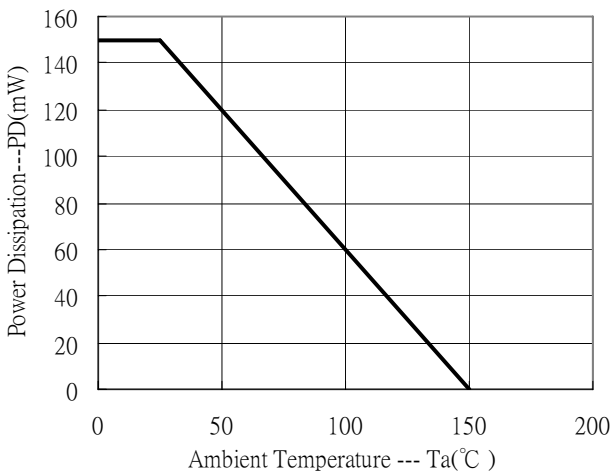
Input Voltage vs Output Current (ON Characteristics)



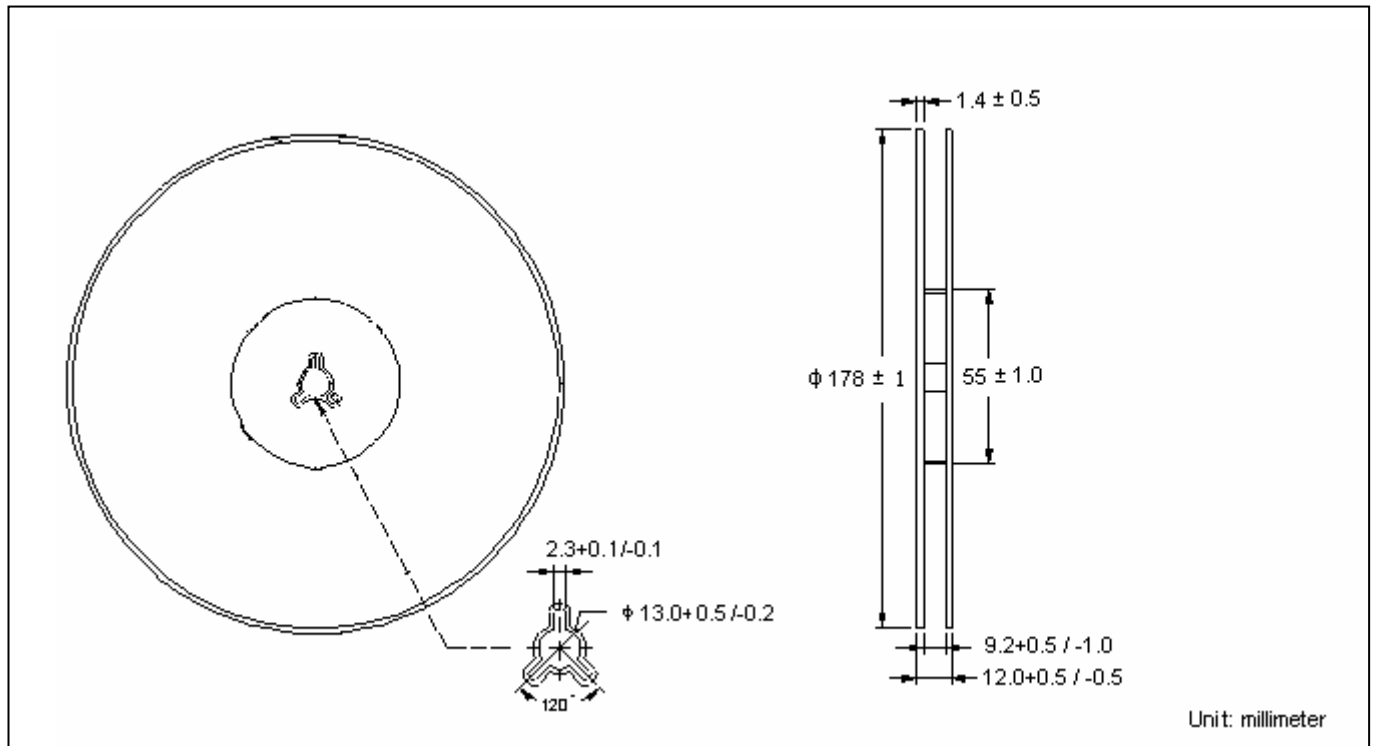
Output Current vs Input Voltage (OFF Characteristics)



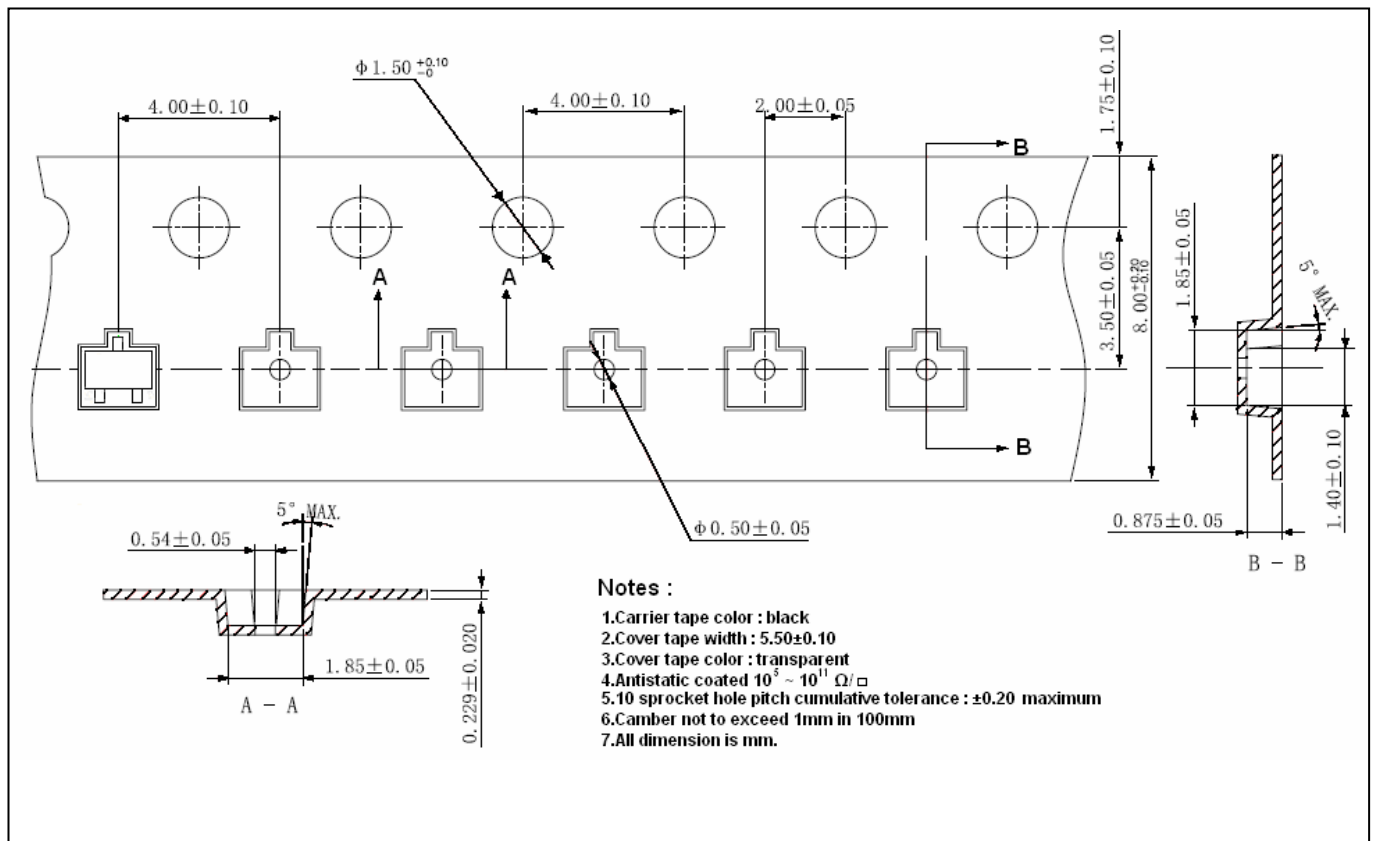
Power Derating Curve



Reel Dimension



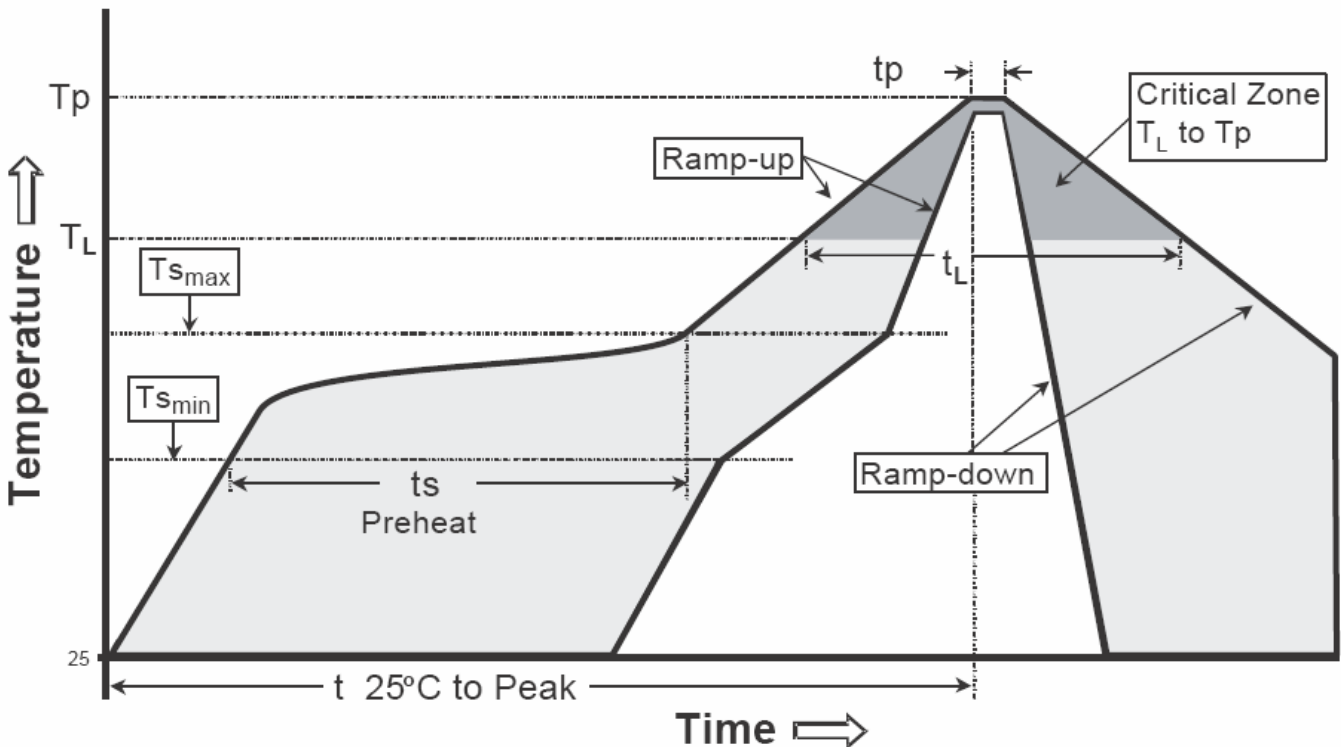
Carrier Tape Dimension



Recommended wave soldering condition

| | | |
|-----------------|------------------|-----------------|
| Product | Peak Temperature | Soldering Time |
| Pb-free devices | 260 +0/-5 °C | 5 +1/-1 seconds |

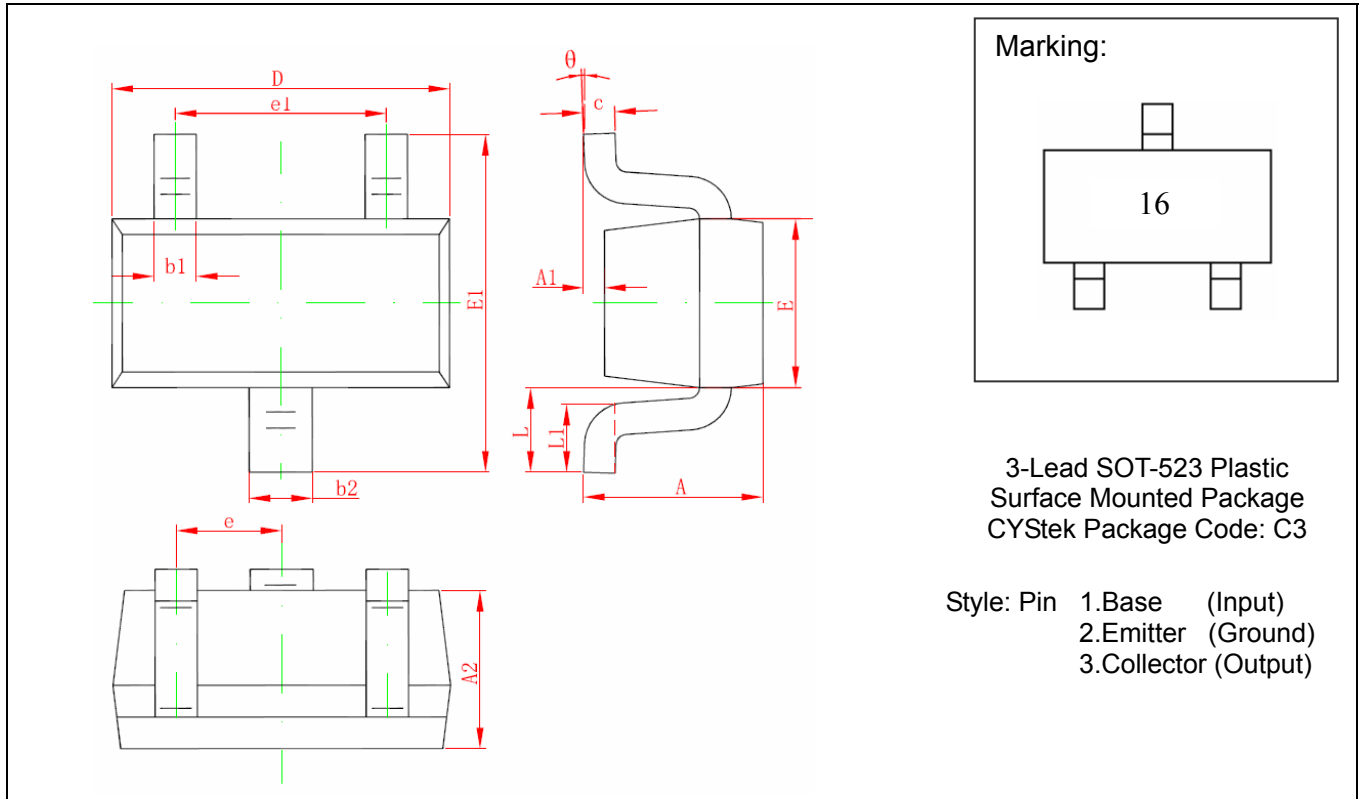
Recommended temperature profile for IR reflow



| Profile feature | Sn-Pb eutectic Assembly | Pb-free Assembly |
|--|-------------------------|------------------|
| Average ramp-up rate (Tsmax to Tp) | 3°C/second max. | 3°C/second max. |
| Preheat | | |
| -Temperature Min(Ts min) | 100°C | 150°C |
| -Temperature Max(Ts max) | 150°C | 200°C |
| -Time(ts min to ts max) | 60-120 seconds | 60-180 seconds |
| Time maintained above: | | |
| -Temperature (Tl) | 183°C | 217°C |
| - Time (tl) | 60-150 seconds | 60-150 seconds |
| Peak Temperature(Tp) | 240 +0/-5 °C | 260 +0/-5 °C |
| Time within 5°C of actual peak temperature(tp) | 10-30 seconds | 20-40 seconds |
| Ramp down rate | 6°C/second max. | 6°C/second max. |
| Time 25 °C to peak temperature | 6 minutes max. | 8 minutes max. |

Note : All temperatures refer to topside of the package, measured on the package body surface.

SOT-523 Dimension



*: Typical

| DIM | Inches | | Millimeters | | DIM | Inches | | Millimeters | |
|-----|--------|-------|-------------|-------|-----|--------|-------|-------------|-------|
| | Min. | Max. | Min. | Max. | | Min. | Max. | Min. | Max. |
| A | 0.028 | 0.035 | 0.700 | 0.900 | E | 0.028 | 0.035 | 0.700 | 0.900 |
| A1 | 0.000 | 0.004 | 0.000 | 0.100 | E1 | 0.057 | 0.069 | 1.450 | 1.750 |
| A2 | 0.028 | 0.031 | 0.700 | 0.800 | e | 0.020* | | 0.500* | |
| b1 | 0.006 | 0.010 | 0.150 | 0.250 | e1 | 0.035 | 0.043 | 0.900 | 1.100 |
| b2 | 0.010 | 0.014 | 0.250 | 0.350 | L | 0.016 | REF | 0.400 | REF |
| c | 0.004 | 0.008 | 0.100 | 0.200 | L1 | 0.010 | 0.018 | 0.260 | 0.460 |
| D | 0.059 | 0.067 | 1.500 | 1.700 | θ | 0° | 8° | 0° | 8° |

Notes: 1.Controlling dimension: millimeters.
 2.Maximum lead thickness includes lead finish thickness, and minimum lead thickness is the minimum thickness of base material.
 3.If there is any question with packing specification or packing method, please contact your local CYStek sales office.

Material:

- Lead: Pure tin plated.
- Mold Compound: Epoxy resin family, flammability solid burning class: UL94V-0

Important Notice:

- All rights are reserved. Reproduction in whole or in part is prohibited without the prior written approval of CYStek.
- CYStek reserves the right to make changes to its products without notice.
- CYStek **semiconductor products are not warranted to be suitable for use in Life-Support Applications, or systems.**
- CYStek assumes no liability for any consequence of customer product design, infringement of patents, or application assistance.