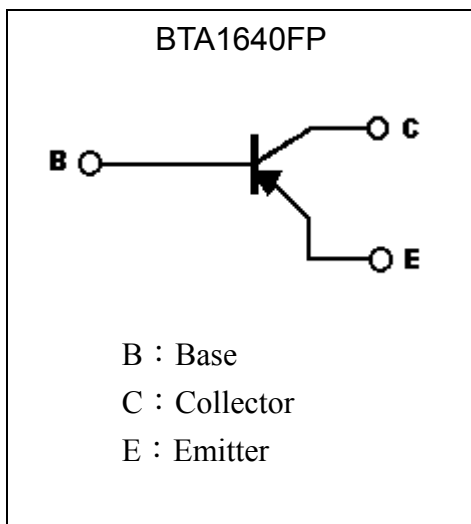
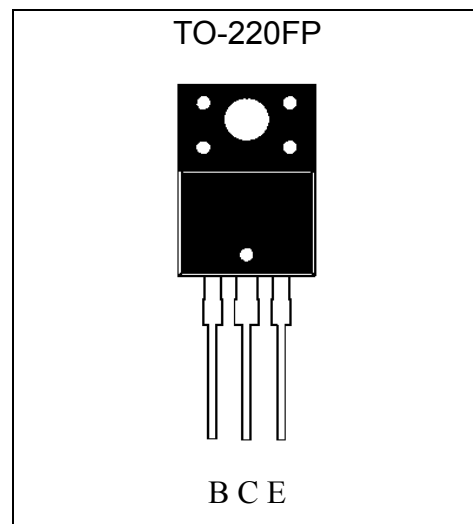


PNP Epitaxial Planar Power Transistor

BTA1640FP

Features

- Low collector-emitter saturation voltage, $V_{CE(sat)} = -0.4V(max) @ I_C = -3A, I_B = -0.1A$
- Excellent current gain linearity
- Pb-free package

Symbol

Outline

Absolute Maximum Ratings (Ta=25°C)

Parameter	Symbol	Limits	Unit
Collector-Base Voltage	V_{CBO}	-30	V
Collector-Emitter Voltage	V_{CEO}	-30	V
Emitter-Base Voltage	V_{EBO}	-18	V
Collector Current (DC)	I_C	-7	A
Collector Current (Pulse)	I_{CP}	-10 (Note 1)	
Power Dissipation @ $T_A=25^\circ C$	P_D	2	W
Power Dissipation @ $T_C=25^\circ C$	P_D	40	
Thermal Resistance, Junction to Ambient	$R_{\theta JA}$	62.5	°C/W
Thermal Resistance, Junction to Case	$R_{\theta JC}$	3.125	°C/W
Junction Temperature	T_j	150	°C
Storage Temperature	T_{stg}	-55~+150	°C

Note : 1. Single Pulse , $P_w \leq 380\mu s$, Duty $\leq 2\%$.



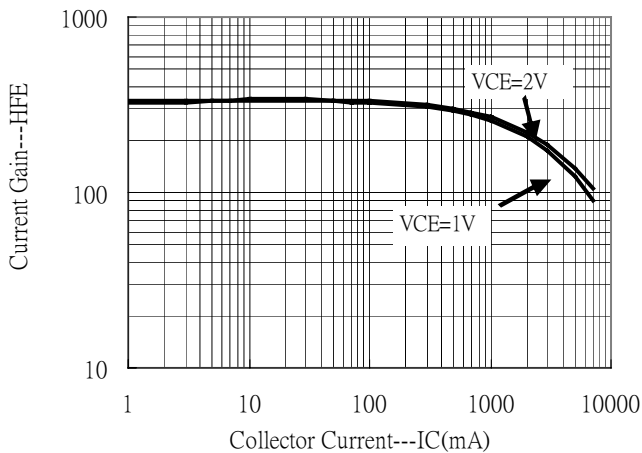
Characteristics (Ta=25°C)

Symbol	Min.	Typ.	Max.	Unit	Test Conditions
*BV _{CEO}	-30	-	-	V	I _C =-10mA, I _B =0
BV _{CBO}	-30	-	-	V	I _C =-1mA, I _E =0
BV _{EBO}	-18	-	-	V	I _E =-1mA, I _C =0
I _{CEO}	-	-	-50	μA	V _{CE} =-30V, I _B =0
I _{CBO}	-	-	-10	μA	V _{CB} =-30V, I _B =0
I _{EBO}	-	-	-10	μA	V _{EB} =-18V, I _C =0
*V _{CE(sat)}	-	-	-0.4	V	I _C =-3A, I _B =-100mA
*V _{BE(sat)}	-	-	-1	V	I _C =-3A, I _B =-100mA
*h _{FE}	180	-	350	-	V _{CE} =-2V, I _C =-200mA

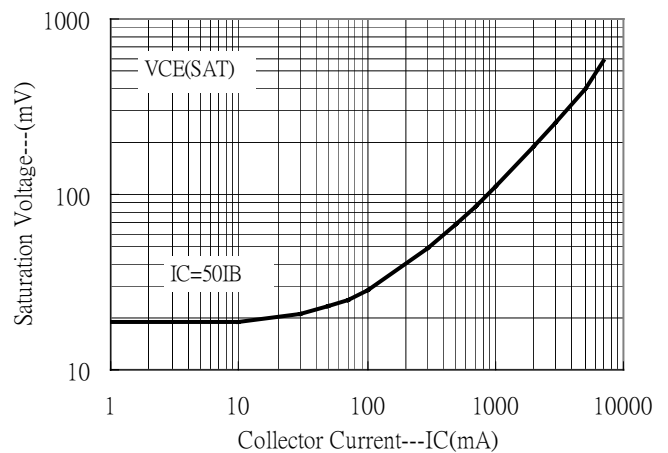
*Pulse Test : Pulse Width ≤380μs, Duty Cycle≤2%

Characteristic Curves

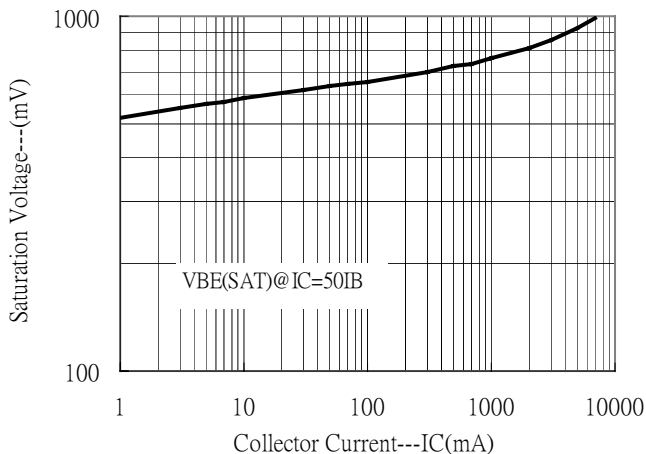
Current Gain vs Collector Current



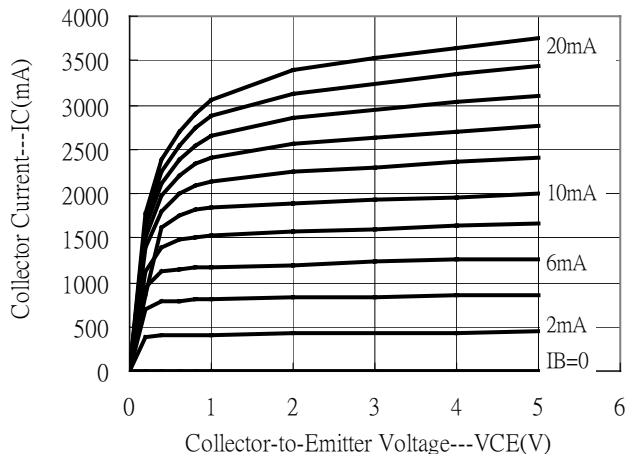
Saturation Voltage vs Collector Current



Saturation Voltage vs Collector Current



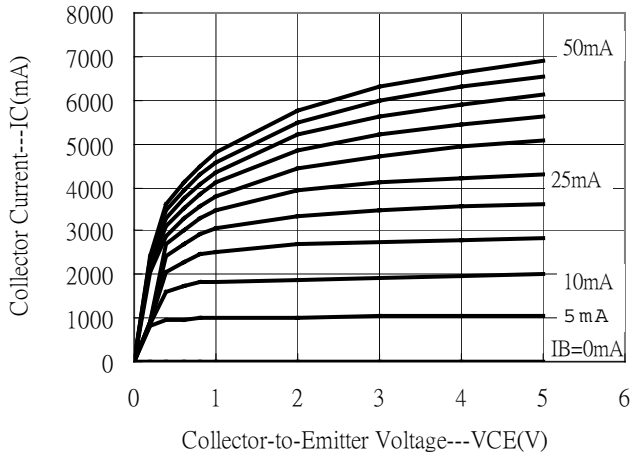
Grounded Emitter Output Characteristics



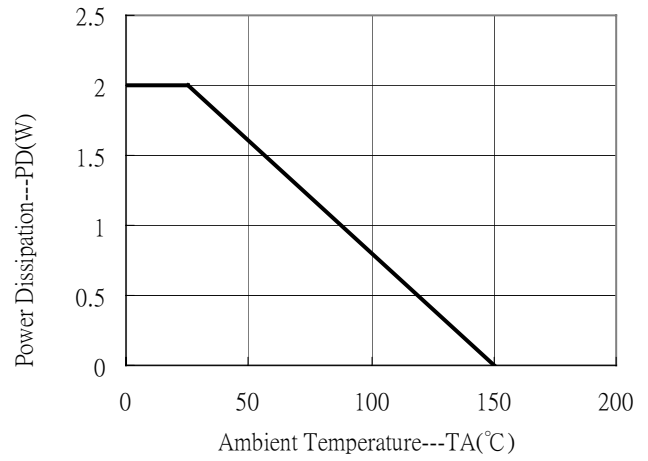


Characteristic Curves(Cont.)

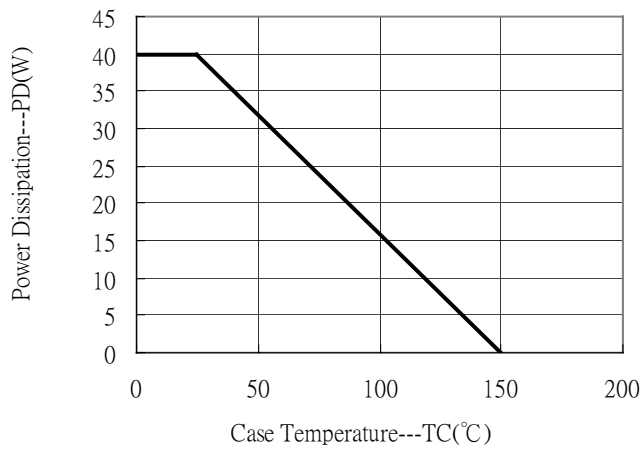
Grounded Emitter Output Characteristics



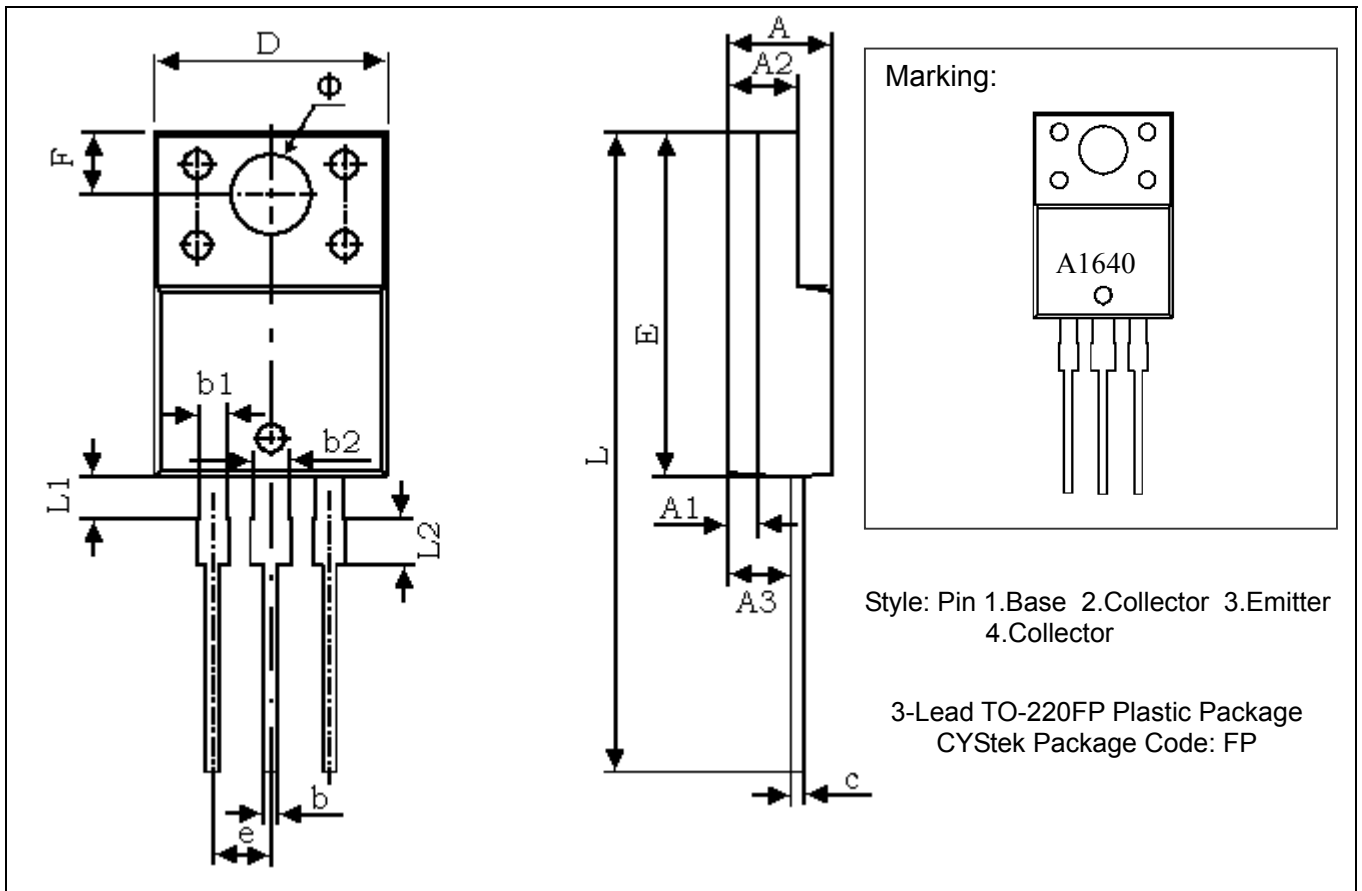
Power Derating Curve



Power Derating Curve



TO-220FP Dimension



*: Typical

DIM	Inches		Millimeters		DIM	Inches		Millimeters	
	Min.	Max.	Min.	Max.		Min.	Max.	Min.	Max.
A	0.169	0.185	4.300	4.700	D	0.392	0.408	9.960	10.360
A1	0.051 REF		1.300 REF		E	0.583	0.598	14.800	15.200
A2	0.110	0.126	2.800	3.200	e	0.100 TYP		2.540 TYP	
A3	0.098	0.114	2.500	2.900	F	0.106 REF		2.700 REF	
b	0.020	0.030	0.500	0.750	Φ	0.138 REF		3.500 REF	
b1	0.043	0.053	1.100	1.350	L	1.102	1.118	28.000	28.400
b2	0.059	0.069	1.500	1.750	L1	0.067	0.075	1.700	1.900
c	0.020	0.030	0.500	0.750	L2	0.075	0.083	1.900	2.100

- Notes:** 1.Controlling dimension: millimeters.
 2.Maximum lead thickness includes lead finish thickness, and minimum lead thickness is the minimum thickness of base material.
 3.If there is any question with packing specification or packing method, please contact your local CYStek sales office.

Material:

- Lead: 42 Alloy ; solder plating
- Mold Compound: Epoxy resin family, flammability solid burning class: UL94V-0

Important Notice:

- All rights are reserved. Reproduction in whole or in part is prohibited without the prior written approval of CYStek.
- CYStek reserves the right to make changes to its products without notice.
- CYStek **semiconductor products are not warranted to be suitable for use in Life-Support Applications, or systems.**
- CYStek assumes no liability for any consequence of customer product design, infringement of patents, or application assistance.