

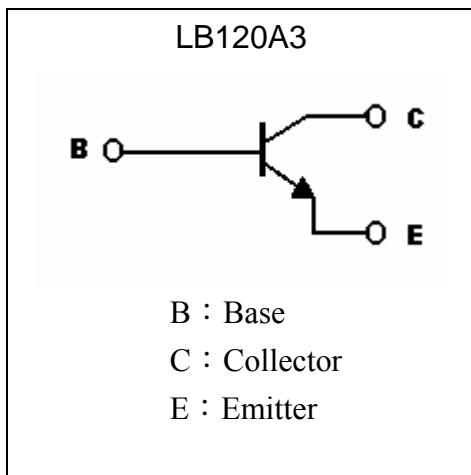
General Purpose NPN Epitaxial Planar Transistor

LB120A3

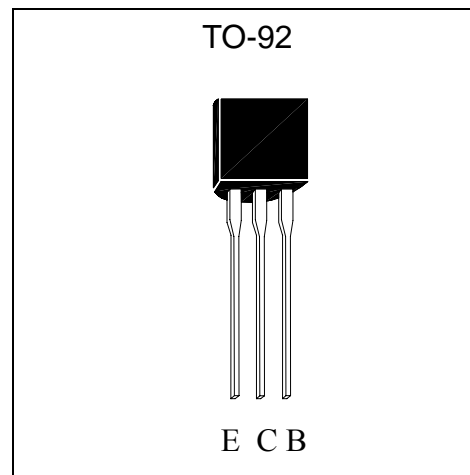
Features

- Low collector saturation voltage
- High breakdown voltage, $V_{CEO}=400V$ (min.)
- Pb-free package

Symbol



Outline



Absolute Maximum Ratings (Ta=25°C)

Parameter	Symbol	Limits	Unit
Collector-Base Voltage	V_{CBO}	600	V
Collector-Emitter Voltage	V_{CEO}	400	V
Emitter-Base Voltage	V_{EBO}	9	V
Collector Current (DC)	I_C	0.5	A
Power Dissipation	P_D	1	W
Thermal Resistance, Junction to Ambient	$R_{\theta JA}$	125	°C/W
Junction Temperature	T_j	150	°C
Storage Temperature	T_{stg}	-55~+150	°C

Note : Pulse test, $P_w \leq 10ms$, Duty $\leq 50\%$.



Characteristics (Ta=25°C)

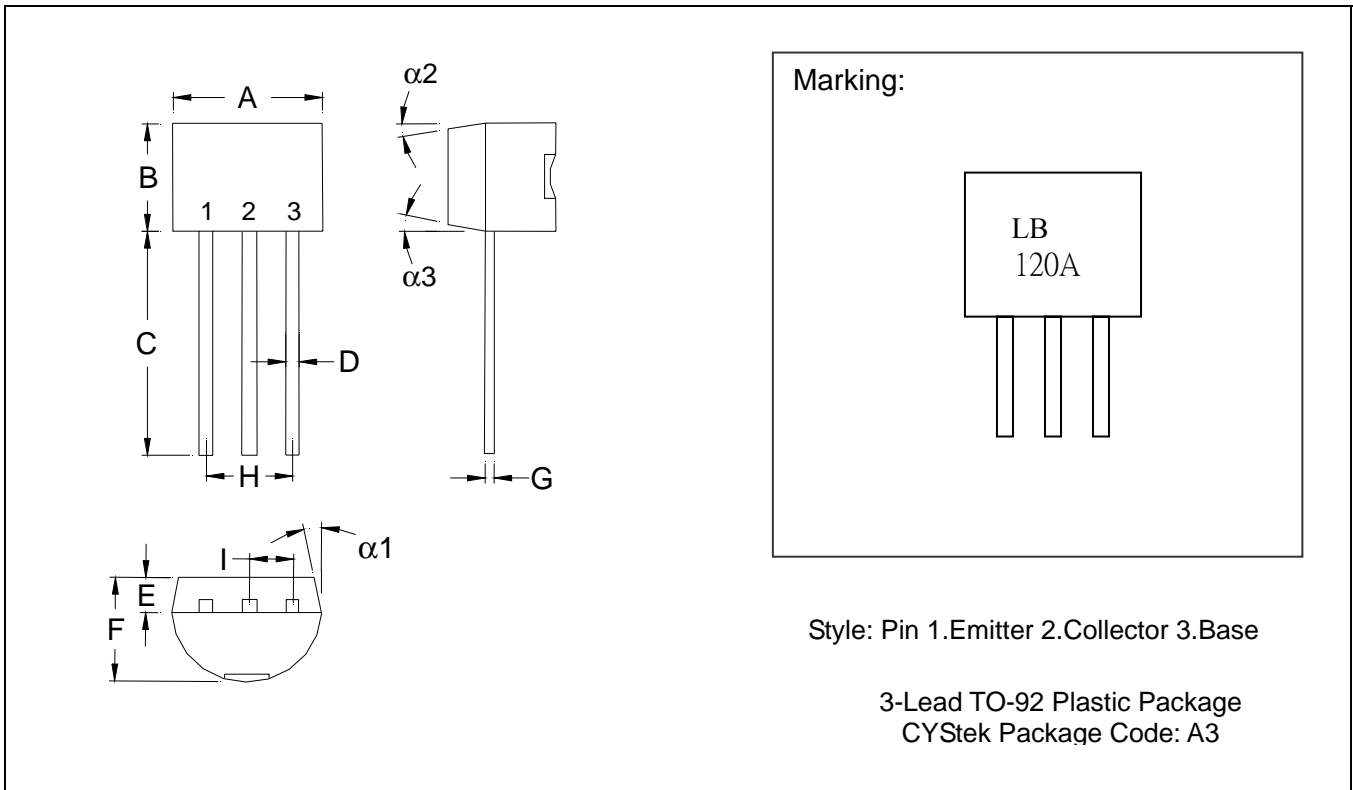
Symbol	Min.	Typ.	Max.	Unit	Test Conditions
BV _{CB0}	600	-	-	V	I _C =100μA
BV _{CEO}	400	-	-	V	I _C =1mA
BV _{EBO}	9	-	-	V	I _E =10μA
I _{CB0}	-	-	15	μA	V _{CB} =600V, I _E =0
I _{EBO}	-	-	100	nA	V _{EB} =8V, I _C =0
*V _{CE(SAT)}	-	-	0.3	V	I _C =50mA, I _B =10mA
*V _{CE(SAT)}	-	-	0.5	V	I _C =200mA, I _B =40mA
*h _{FE}	10	-	40	-	V _{CE} =20V, I _C =20mA
tf	-	-	0.5	μs	V _{CE} =100V, I _C =300mA, I _{B1} =-I _{B2} =100mA
ts	-	-	2.5		

*Pulse Test: Pulse Width ≤300μs, Duty Cycle≤2%

Classification Of hFE

Rank	A	B	C	D	E	F
Range	10~15	15~20	20~25	25~30	30~35	35~40

TO-92 Dimension



*: Typical

DIM	Inches		Millimeters		DIM	Inches		Millimeters	
	Min.	Max.	Min.	Max.		Min.	Max.	Min.	Max.
A	0.1704	0.1902	4.33	4.83	G	0.0142	0.0220	0.36	0.56
B	0.1704	0.1902	4.33	4.83	H	-	*0.1000	-	*2.54
C	0.5000	-	12.70	-	I	-	*0.0500	-	*1.27
D	0.0142	0.0220	0.36	0.56	$\alpha 1$	-	*5°	-	*5°
E	-	*0.0500	-	*1.27	$\alpha 2$	-	*2°	-	*2°
F	0.1323	0.1480	3.36	3.76	$\alpha 3$	-	*2°	-	*2°

Notes: 1. Controlling dimension: millimeters.
 2. Maximum lead thickness includes lead finish thickness, and minimum lead thickness is the minimum thickness of base material.
 3. If there is any question with packing specification or packing method, please contact your local CYStek sales office.

Material:

- Lead: KFC ; pure tin plated
- Mold Compound: Epoxy resin family, flammability solid burning class: UL94V-0

Important Notice:

- All rights are reserved. Reproduction in whole or in part is prohibited without the prior written approval of CYStek.
- CYStek reserves the right to make changes to its products without notice.
- CYStek **semiconductor products are not warranted to be suitable for use in Life-Support Applications, or systems.**
- CYStek assumes no liability for any consequence of customer product design, infringement of patents, or application assistance.