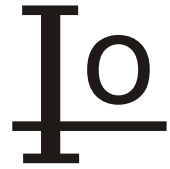


BR35005L THRU BR3510L



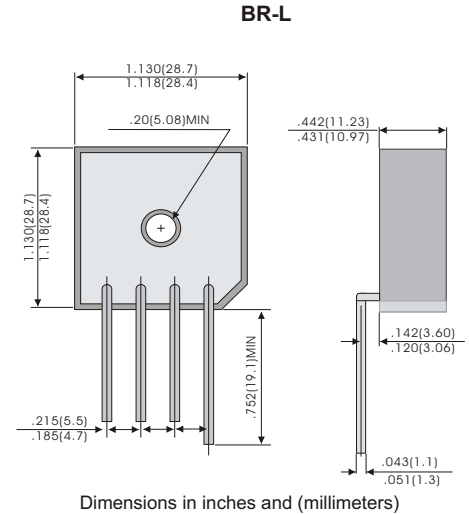
SINGLE PHASE 35 AMP BRIDGE RECTIFIERS

■ Features

- I_o 35.0A
- V_{RRM} 50V~1000V
- High surge forward current capability

■ Applications

- General purpose 1 phase Bridge rectifier applications
- Lead Free Finish/RoHS Compliant



■ Limiting Values(Absolute Maximum Rating)

| Item | Symbol | Unit | Conditions | BR35-L | | | | | | |
|--------------------------------------|-----------|----------------------|---|------------|-----|-----|-----|-----|-----|------|
| | | | | 005 | 01 | 02 | 04 | 06 | 08 | 10 |
| Repetitive Peak Reverse Voltage | V_{RRM} | V | | 50 | 100 | 200 | 400 | 600 | 800 | 1000 |
| Average Rectified Output Current | I_o | A | 60Hz sine wave, R- load, $T_a=40^\circ\text{C}$ | 35.0 | | | | | | |
| Surge(Non-repetitive)Forward Current | I_{FSM} | A | 60Hz sine wave, 1 cycle, $T_a=25^\circ\text{C}$ | 400 | | | | | | |
| Current Squared Time | I^2t | A^2s | $1\text{ms} \leq t < 8.3\text{ms}$ $T_j=25^\circ\text{C}$, Rating of per diode | 667 | | | | | | |
| Storage Temperature | T_{stg} | $^\circ\text{C}$ | | -55 ~ +150 | | | | | | |
| Junction Temperature | T_j | $^\circ\text{C}$ | | -55 ~ +125 | | | | | | |

■ Electrical Characteristics ($T_a=25^\circ\text{C}$ Unless otherwise specified)

| Item | Symbol | Unit | Test Condition | Max |
|----------------------|------------------|---------------------------|--|-----|
| Peak Forward Voltage | V_{FM} | V | $I_{FM}=17.5\text{A}$, Pulse measurement, Rating of per diode | 1.1 |
| Peak Reverse Current | I_{RRM} | μA | $V_{RM}=V_{RRM}$, Pulse measurement, Rating of per diode | 5 |
| Thermal Resistance | $R_{\theta J-A}$ | $^\circ\text{C}/\text{W}$ | Between junction and ambient | 1.5 |

Characteristics(Typical) BR35005L THUR BR3510L

