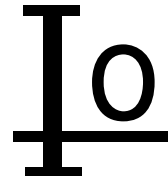


GBL401G THRU GBL407G



SINGLE PHASE 4.0 AMPS GLASS PASSIVATED BRIDGE RECTIFIERS

VOLTAGE RANGE

50 to 1000 Volts

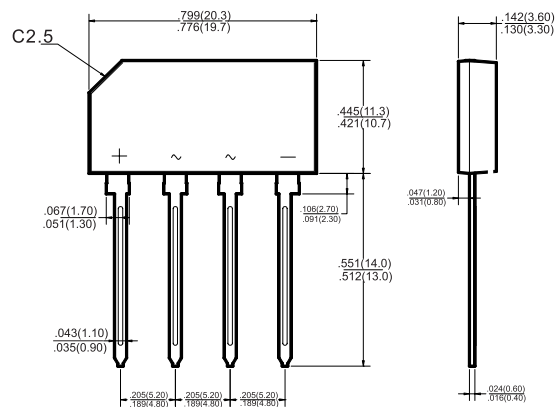
CURRENT

4.0 Ampere

FEATURES

- * Ideal for printed circuit board
- * Low forward voltage
- * Low leakage current
- * Polarity: marked on body
- * Mounting position: Any
- * Weight: 2.16 grams
- * Lead Free Finish/RoHS Compliant

2GBJ



Dimensions in inches and (millimeters)

MAXIMUM RATINGS AND ELECTRICAL CHARACTERISTICS

Rating at 25°C ambient temperature unless otherwise specified.
 Single phase half wave, 60Hz, resistive or inductive load.
 For capacitive load, derate current by 20%.

| TYPE NUMBER | GBL401G | GBL402G | GBL403G | GBL404G | GBL405G | GBL406G | GBL407G | UNITS |
|--|------------|---------|---------|---------|---------|---------|---------|--------------------|
| Maximum Recurrent Peak Reverse Voltage | 50 | 100 | 200 | 400 | 600 | 800 | 1000 | V |
| Maximum RMS Voltage | 35 | 70 | 140 | 280 | 420 | 560 | 700 | V |
| Maximum DC Blocking Voltage | 50 | 100 | 200 | 400 | 600 | 800 | 1000 | V |
| Maximum Average Forward Rectified Current .375" (9.5mm) Lead Length at Ta=50°C | 4.0 | | | | | | | A |
| Peak Forward Surge Current, 8.3ms single half sine-wave superimposed on rated load (JEDEC method) | 135 | | | | | | | A |
| Maximum Forward Voltage Dropper Bridge Element at 2.0A D.C. | 1.1 | | | | | | | V |
| Maximum DC Reverse Current Ta=25°C | 10 | | | | | | | µA |
| at Rated DC Blocking Voltage Ta=100°C | 500 | | | | | | | µA |
| Rating for fusing (t<8.3ms) | 93.0 | | | | | | | A ² sec |
| Storage Temperature Range, TSTG | -65 — +150 | | | | | | | °C |

RATING AND CHARACTERISTIC CURVES (GBL401G THRU GBL407G)

FIG.1-TYPICAL FORWARD CURRENT DERATING CURVE

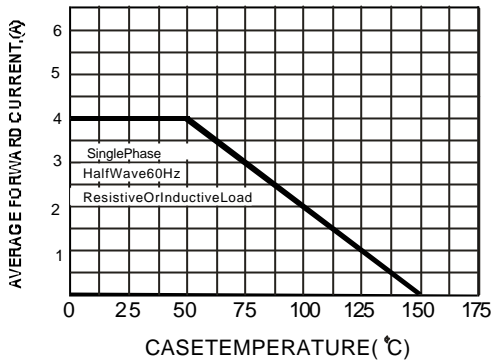


FIG.2-MAXIMUM NON-REPETITIVE FORWARD SURGE CURRENT

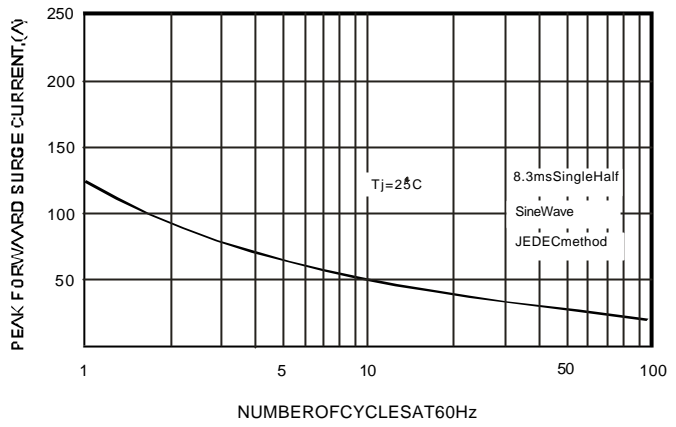


FIG.3-TYPICAL FORWARD CHARACTERISTICS

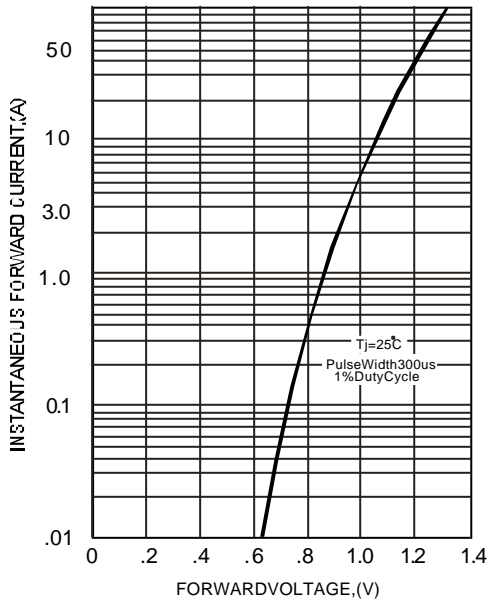


FIG.4-TYPICAL REVERSE CHARACTERISTICS

