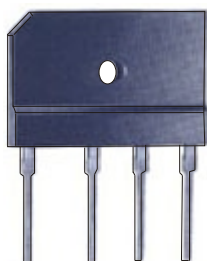


# KBJ25005 THRU KBJ2510



SINGLE PHASE 25.0 AMP BRIDGE RECTIFIERS



## FEATURES

- \* Superior thermal design
- \* 400 amperes surge capability
- \* Mounting: Hole thru for #8 screw
- \* 1/4" universal faston terminal
- \* Lead Free Finish/RoHS Compliant

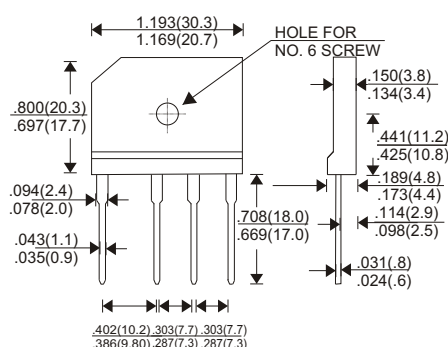
## VOLTAGE RANGE

50 to 1000 Volts

## CURRENT

25.0 Ampere

KBJ



## MAXIMUM RATINGS AND ELECTRICAL CHARACTERISTICS

Rating 25°C ambient temperature unless otherwise specified.  
Single phase half wave, 60Hz, resistive or inductive load.  
For capacitive load, derate current by 20%.

TYPE NUMBER	KBJ25005	KBJ2501	KBJ2502	KBJ2504	KBJ2506	KBJ2508	KBJ2510	UNITS	
Maximum Recurrent Peak Reverse Voltage	50	100	200	400	600	800	1000	V	
Maximum RMS Voltage	35	70	140	280	420	560	700	V	
Maximum DC Blocking Voltage	50	100	200	400	600	800	1000	V	
Maximum Average Forward Rectified Current									
.375" (9.5mm) Lead Length at Tc=55°C								25	A
Peak Forward Surge Current, 8.3 ms single half sine-wave superimposed on rated load (JEDEC method)								350	A
Maximum Forward Voltage Drop per Bridge Element at 12.5AD.C.								1.1	V
Maximum DC Reverse Current Ta=25°C								10	uA
at Rated DC Blocking Voltage Ta=100°C								500	uA
Operating Temperature Range, Tj								-55 — +125	°C
Storage Temperature Range, TSTG								-55 — +150	°C

## RATING AND CHARACTERISTIC CURVES (KBJ25005 THRU KBJ2510)

FIG.1-TYPICAL FORWARD CURRENT DERATING CURVE

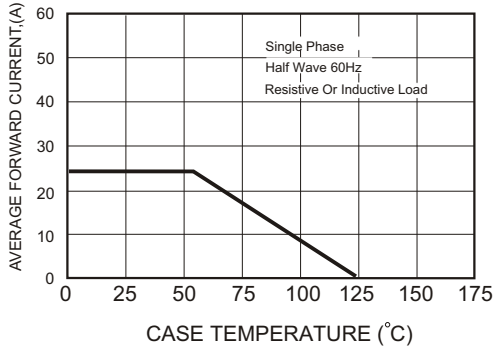


FIG.2-MAXIMUM NON-REPETITIVE FORWARD SURGE CURRENT

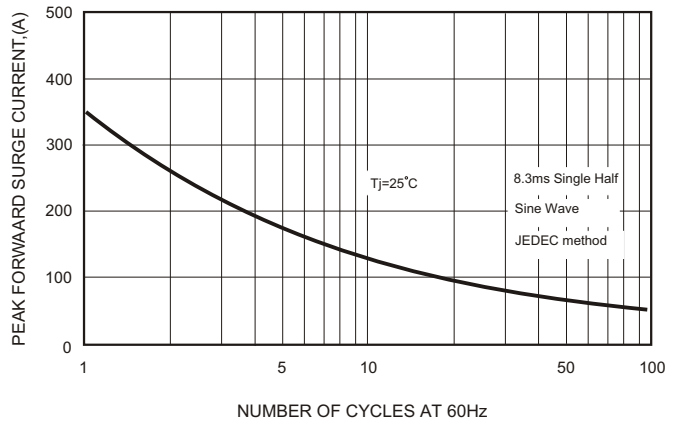


FIG.3-TYPICAL FORWARD CHARACTERISTICS

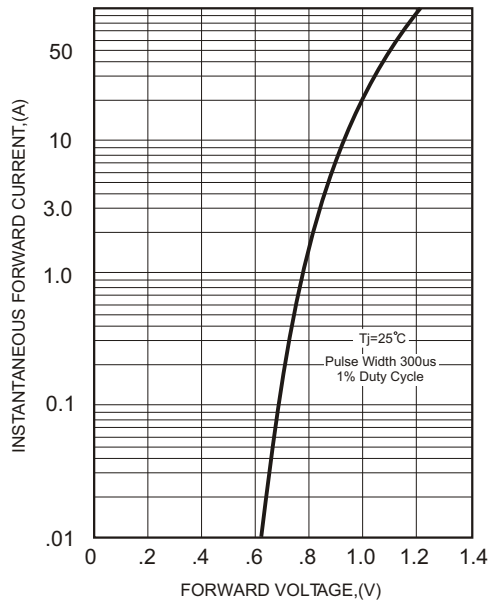


FIG.4-TYPICAL REVERSE CHARACTERISTICS

