



# CHENMKO ENTERPRISE CO.,LTD

*Halogens free devices*

## SURFACE MOUNT SWITCHING DIODE

VOLTAGE 80 Volts CURRENT 0.1 Ampere

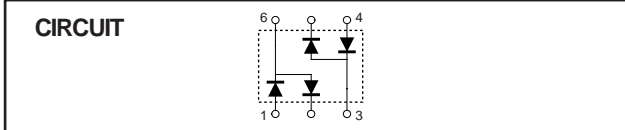
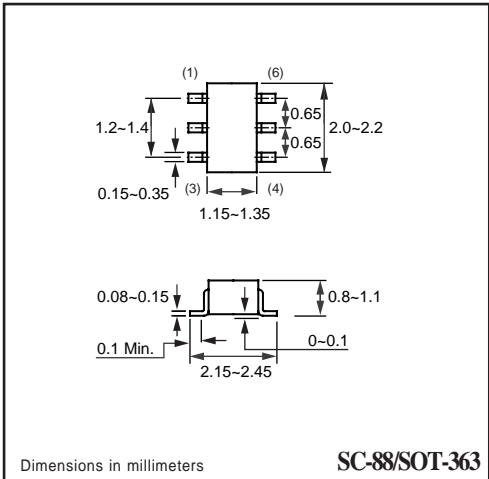
**CHR12DGP**

**APPLICATION**  
 \* Bias circuit.  
 \* Protection circuits.

**FEATURE**  
 \* Small surface mounting type. (SC-88/SOT-363)  
 \* Two diode elements are connected in series (VFX2) per circuit.  
 \* Maximum total power dissipation is 200mW.  
 \* Peak forward current is 200mA.

**CONSTRUCTION**  
 \* Silicon epitaxial planar

**MARKING**  
 \* 9D



**MAXIMUM RATINGS** ( At  $T_A = 25^{\circ}\text{C}$  unless otherwise noted )

RATINGS	SYMBOL	CHR12DGP	UNITS
Maximum Recurrent Peak Reverse Voltage	VRRM	80	Volts
Maximum RMS Voltage	V <sub>RMS</sub>	56	Volts
Maximum DC Blocking Voltage	V <sub>DC</sub>	80	Volts
Maximum Average Forward Rectified Current	I <sub>O</sub>	0.1	Amps
Peak Forward Surge Current at 1 uSec	I <sub>FSM</sub>	0.3	Amps
Typical Junction Capacitance between Terminal (Note 1)	C <sub>J</sub>	2.0	pF
Maximum Operating Temperature Range	T <sub>J</sub>	+150	°C
Storage Temperature Range	T <sub>STG</sub>	-55 to +150	°C

**ELECTRICAL CHARACTERISTICS** ( At  $T_A = 25^{\circ}\text{C}$  unless otherwise noted )

CHARACTERISTICS	SYMBOL	CHR12DGP	UNITS
Maximum Instantaneous Forward Voltage at I <sub>F</sub> = 100mA	V <sub>F</sub>	1.20	Volts
Maximum Average Reverse Current at V <sub>R</sub> = 80V	I <sub>R</sub>	0.1	uAmps

NOTES : 1. Measured at 1.0 MHz and applied reverse voltage of 6.0 volts.  
 2. ESD sensitive product handling required.

## RATING CHARACTERISTIC CURVES ( CHR12DGP )

FIG. 1 - FORWARD CHARACTERISTICS

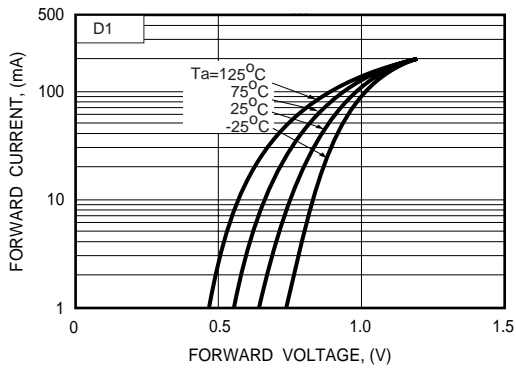


FIG. 2 - FORWARD CHARACTERISTICS

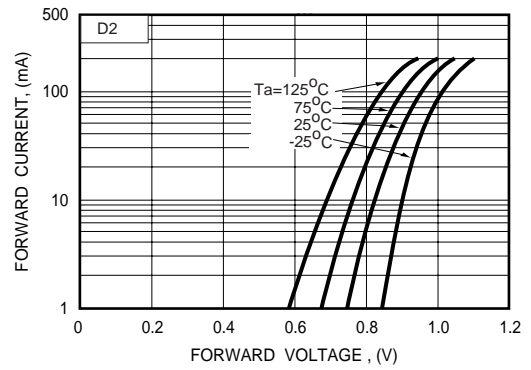


FIG. 3 - REVERSE CHARACTERISTICS

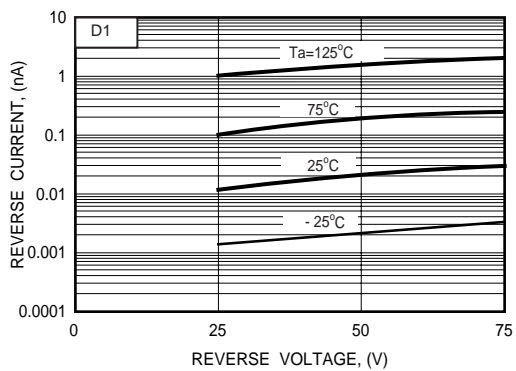


FIG. 4 - REVERSE CHARACTERISTICS

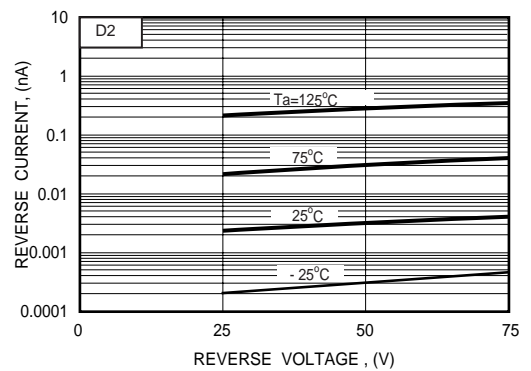


FIG. 5 - TYPICAL JUNCTION CAPACITANCE

