



CHENMKO ENTERPRISE CO.,LTD

CH145SDWGP

Halogens free devices

SURFACE MOUNT

SCHOTTKY BARRIER RECTIFIER

VOLTAGE 45 Volts CURRENT 100 mAmpere

APPLICATION

- * Ultra high speed switching

FEATURE

- * Small surface mounting type. (SC-74/SOT-457)
- * High speed. (TRR=10nSec Typ.)
- * Suitable for high packing density.
- * Maximum total power dissipation is 225mW.

CONSTRUCTION

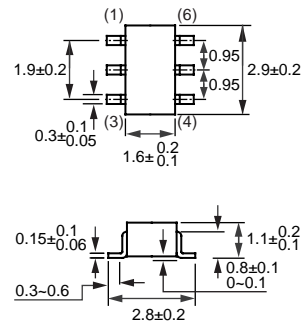
- * Silicon epitaxial planar

MARKING

- * DM2



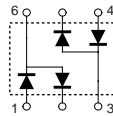
SC-74/SOT-457



Dimensions in millimeters

SC-74/SOT-457

CIRCUIT



MAXIMUM RATINGS (At TA = 25°C unless otherwise noted)

| RATINGS | SYMBOL | CH145SDWGP | UNITS |
|---|-----------|-------------|-------|
| Maximum Non-Repetitive Peak Reverse Voltage | VRM | 45 | Volts |
| Maximum RMS Voltage | VRMS | 32 | Volts |
| Maximum Repetitive Peak Reverse and DC Blocking Voltage | VRRM, VDC | 45 | Volts |
| Forward Continuous Current | IFM | 100 | mAmps |
| Non-Repetitive Peak Forward Surge Current at 8.3mSec | IFSM | 1.0 | Amps |
| Typical Junction Capacitance between Terminal (Note 1) | CJ | 6.0 | pF |
| Total Power Dissipation | Pd | 225 | mW |
| Thermal Resistance Junction to Ambient (Note 2) | RθJA | 444 | °C/W |
| Maximum Operating and Storage Temperature Range | TJ,TSTG | -65 to +125 | °C |

ELECTRICAL CHARACTERISTICS (At TA = 25°C unless otherwise noted)

| CHARACTERISTICS | SYMBOL | CH145SDWGP | UNITS |
|---|--------|------------|--------|
| Maximum Instantaneous Forward Voltage at 10mA | VF | 450 | mVolts |
| Maximum Average Reverse Current at 10V | IR | 1.0 | uAmps |

- NOTES : 1. Measured at 1.0 MHz and applied reverse voltage of 0 volts.
 2. Device mounted on FR-4 by 1 inch X 0.85 inch X 0.062 inch
 3. ESD sensitive product handling required.

RATING CHARACTERISTIC CURVES (CH145SDWGP)

FIG. 1 - TYPICAL POWER DERATING CURVE

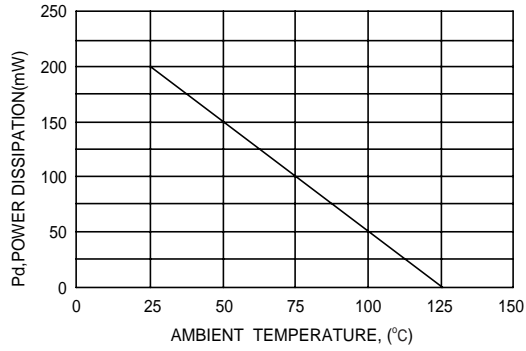


FIG. 2 - FORWARD CHARACTERISTICS

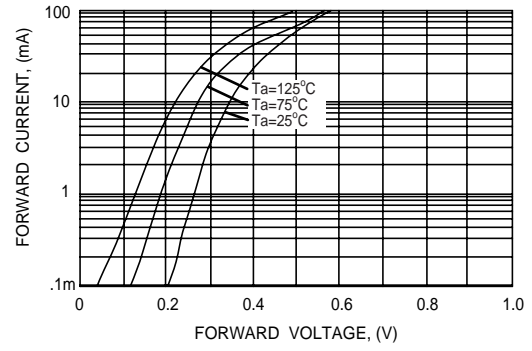


FIG. 3 - REVERSE CHARACTERISTICS

