



CHENMKO ENTERPRISE CO.,LTD

**SINGLE-PHASE GLASS PASSIVATED
SILICON BRIDGE RECTIFIER**

VOLTAGE RANGE 50 - 1000 Volts CURRENT 1.5 Amperes

Halogens free devices

**RB151GP
THRU
RB157GP**

FEATURES

- * High reverse voltage to 1000V
- * Surge overload rating - 50 Amperes peak
- * Good for printed circuit board assembly

MECHANICAL DATA

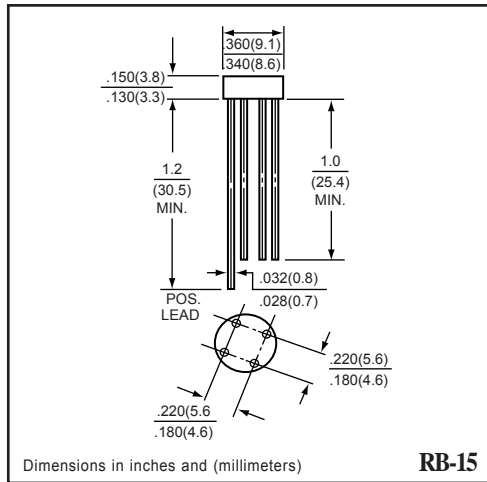
Case: JEDEC RB-15 molded plastic
Terminals: Plated leads solderable per MIL-STD-750, Method 2026
Mounting position: Any
Polarity: Polarity symbols marked on body
Weight: 1.04 grams

MAXIMUM RATINGS AND ELECTRICAL CHARACTERISTICS

Ratings at 25°C ambient temperature unless otherwise specified.
 Single phase, half wave, 60 Hz, resistive or inductive load.
 For capacitive load, derate current by 20%.



RB-15



RB-15

MAXIMUM RATINGS (At TA = 25°C unless otherwise noted)

| RATINGS | SYMBOL | RB151GP | RB152GP | RB153GP | RB154GP | RB155GP | RB156GP | RB157GP | UNITS |
|---|--------|-------------|---------|---------|---------|---------|---------|---------|-------|
| Maximum Recurrent Peak Reverse Voltage | VRRM | 50 | 100 | 200 | 400 | 600 | 800 | 1000 | Volts |
| Maximum RMS Voltage | VRMS | 35 | 70 | 140 | 280 | 420 | 560 | 700 | Volts |
| Maximum DC Blocking Voltage | VDC | 50 | 100 | 200 | 400 | 600 | 800 | 1000 | Volts |
| Maximum Average Forward Rectified Current at TA = 25°C | Io | 1.5 | | | | | | | Amps |
| Peak Forward Surge Current 8.3 ms single half sine-wave superimposed on rated load (JEDEC method) | IFSM | 50 | | | | | | | Amps |
| Operating Temperature Range | TJ | -55 to +125 | | | | | | | °C |
| Storage Temperature Range | TSTG | -55 to +150 | | | | | | | °C |

ELECTRICAL CHARACTERISTICS (At TA = 25°C unless otherwise noted)

| CHARACTERISTICS | SYMBOL | RB151GP | RB152GP | RB153GP | RB154GP | RB155GP | RB156GP | RB157GP | UNITS |
|---|--------|---------|---------|---------|---------|---------|---------|---------|-------|
| Maximum Instantaneous Forward Voltage at 1.0 A DC | VF | 1.0 | | | | | | | Volts |
| Maximum Reverse Current at rated | IR | 10 | | | | | | | uAmps |
| DC blocking Voltage per element | | | | | | | | | 0.2 |

RATING CHARACTERISTIC CURVES (RB151GP THRU RB157GP)

FIG. 1 - TYPICAL FORWARD CURRENT DERATING CURVE

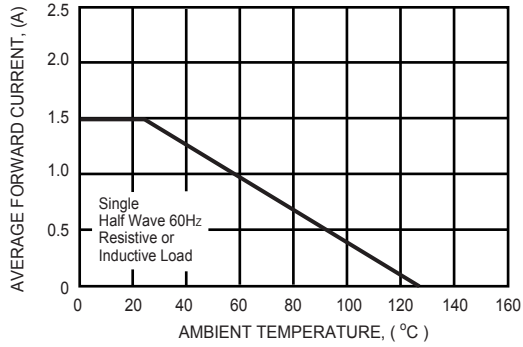


FIG. 2 - MAXIMUM NON-REPETITIVE FORWARD SURGE CURRENT

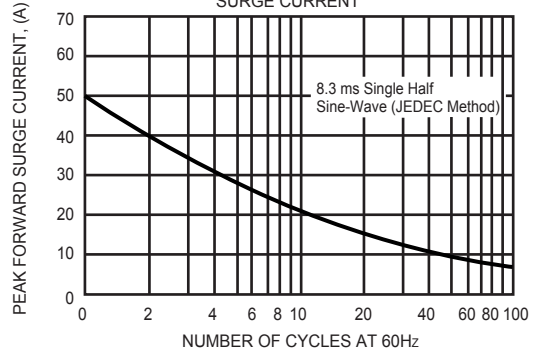


FIG. 3 - TYPICAL INSTANTANEOUS FORWARD CHARACTERISTICS

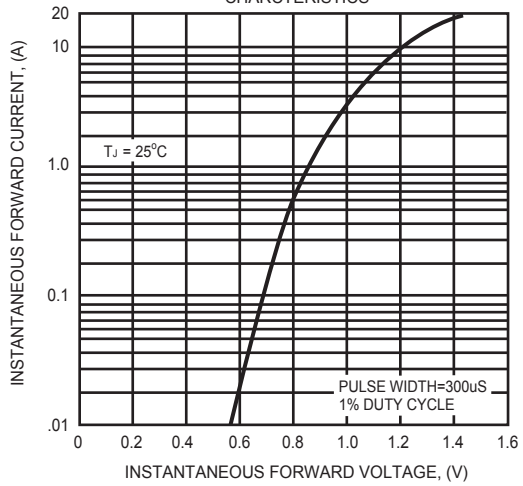


FIG. 4 - TYPICAL REVERSE CHARACTERISTICS

